

# Presence detector, DALI, master, 24 m, IP54, for surface mounting, white

350-41751

4 year warranty

This presence detector (DALI daylight control, master) is designed for mounting on ceilings of 2.4 – 3m. Can be combined as a standalone or master with a maximum of 10 secondary detectors. All-in-one detector installed in a quick and flexible manner thanks to the addressable DALI bus. Manual control per zone via push button. For use in offices, schools, government buildings... in large and small spaces. The detector has 2 or 3 daylight controlled zones and 1 or 2 secondary zones with on/off or dimming functionality. The detector is equipped with a potential-free relay contact for control of either light, HVAC or cut-off of power supply to the DALI luminaires.

There are four optional applications:

- mode 1: daylight control in 2 or 3 zones (DALI), 1 or 2 secondary zones (DALI) and the built-in relay contact is used for the switching of HVAC.
- mode 2: daylight control in 2 or 3 zones (DALI) and a 4th zone to switch the lighting on or off via the built-in relay contact.
- mode 3: daylight control in 2 or 3 zones (DALI), 1 or 2 secondary zones (DALI) and the built-in relay contact is used for switching off the 230 V power supply of the control gear (minimum consumption in standby).
- mode 4: daylight control in up to 3 zones for corridors with day/night mode and relay output for HVAC.

The detector is programmed using the (optional) remote control 350-41934. With the (optional) remote control 350-41935 for users, you control the luminaires in the zones simultaneously or separately.

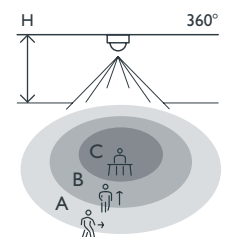
Finishing colour: white

Compatible secondary detectors: 350-41752, 350-41753, 350-41762, 350-41763

- All-in-one solution
- Large detection range of 24 m
- Can be programmed using the IR remote control 350-41934
- Fast, flexible installation thanks to the addressable DALI bus
- Manual control by zone with push-button
- Replacement of a faulty DALI frame without reprogramming
- Two or three daylight control zones
- One or two secondary zones with stop/go or variation functionality



## Detection range



H	A Across	B Towards	C Presence
2 m	∅ 16 m	∅ 10 m	∅ 4 m
2.5 m	∅ 20 m	∅ 12 m	∅ 5 m
3 m	∅ 24 m	∅ 14 m	∅ 6 m



DALI



master



360°



∅ 24 m from a height of 3 m



2 – 3.4 m



surface mounting

**niko**

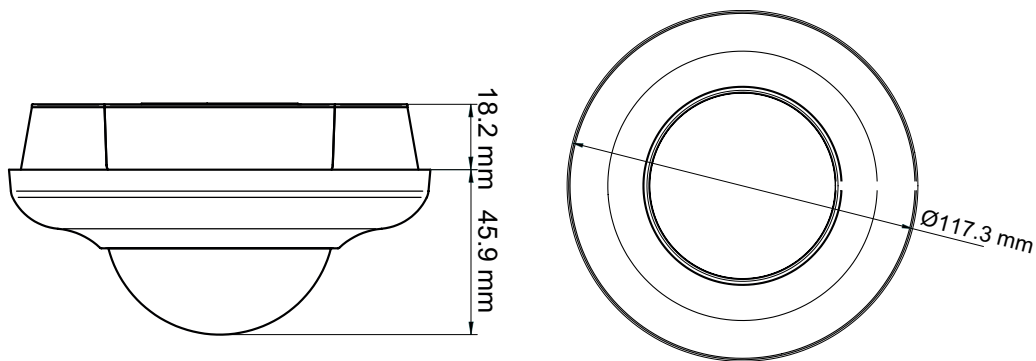
## Technical data

Article number	350-41751
Compatible secondary detectors	350-41752, 350-41753, 350-41762, 350-41763
Input voltage	230 Vac $\pm$ 10 %, 50 Hz
Detector output	DALI Addressable
Maximum MCB rating	10 A (limited by national installation rules)
Relay contact	N.O. (max. 10 A), potential-free
Maximum load incandescent and halogen lamps ( $\cos\phi=1$ )	2300 W
Maximum load economy lamps (CFLi)	350 W
Maximum load LED lamps 230 V	350 W
Maximum load LED driver	500 VA
Maximum load electronic transformer	500 VA
Maximum capacitive load	140 $\mu$ F
Maximum switching current	165 A/20 ms – 800 A/200 $\mu$ s
Light intensity range	100 lux – 2000 lux
Number of channels	1 channel
Maximum number of dimmable zones	4
Switch-off delay	5 min – $\infty$
Detection angle	360 °
Detection range (PIR)	$\varnothing$ 24 m from a height of 3 m
Ambient temperature	-5 – +50 °C
Mounting method	surface mounting
Mounting height	2 – 3.4 m
Dimensions (HxWxD)	117.3 x 117.3 x 64.1 mm
Protection degree	IP54
Marking	CE

## Accessories

350-41936	Universal remote control for smartphone
350-41934	IR-remote control for installers
350-41935	IR remote control for users

## Dimensions



## Wiring diagram

