

83 030 892 Product version from 4/1/2024

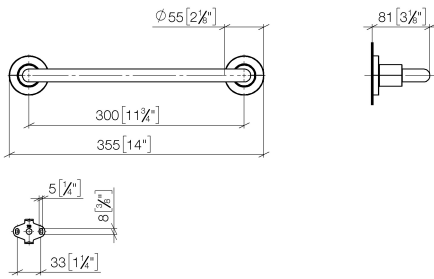


- gauge 300 mm
- width 355mm
- height 55 mm
- rosette Ø 55 mm
- 80mm projection

	Platinum	83 030 892-08
	Chrome	83 030 892-00
	Brushed Platinum	83 030 892-06
	Dark Chrome	83 030 892-19
	Brushed Durabronze (23kt Gold)	83 030 892-28
	Matte Black	83 030 892-33
	Brushed Gold (PVD)	83 030 892-37
	Brushed Dark Brass (PVD)	83 030 892-39
	Brushed Bronze (PVD)	83 030 892-42
	Brushed Dark Bronze (PVD)	83 030 892-43
	Brushed Champagne (22kt Gold)	83 030 892-46
	Champagne (22kt Gold)	83 030 892-47
	Brushed Chrome	83 030 892-93
	Brushed Dark Platinum	83 030 892-99

83 030 892 Product version from 4/1/2024

mm [inches]



Codes & Standards

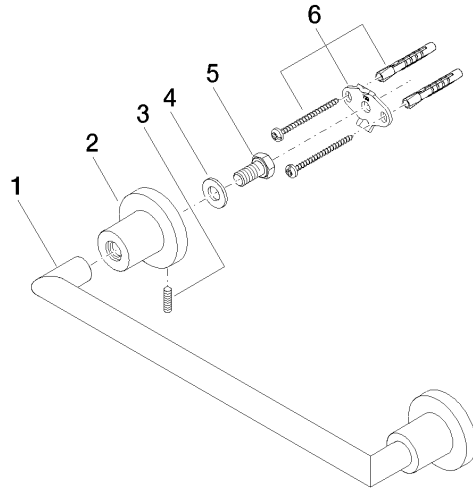
TÜV-Zeichen

Certificates and sustainability

TÜV_B0358530023 TÜV_B0358530023

83 030 892 Product version from 4/1/2024

Parts for other finishes can be found here: [Chrome](#)



Spare parts list

No.	Item Number	Name	Quantity used	Delivery time
4	09 30 11 046 90	Washer Ø 10,5 -	2.00	14
5	09 30 30 071 90	Mounting Hexagonal bolt with thread as far as head M10 x 20 mm -	2.00	14
3	04 31 11 113 00 90	Mounting Threaded pin M5 x 12 mm -	2.00	14
2	08 17 89 505-08	Holder universal 60 x 100 x 60 mm - Platinum	2.00	54
1	05 28 22 587 00-08	Handle for bath grip 318 x 42 x 22 mm - Platinum	1.00	54
6	05 17 20 739 00 90	Attachment set 150 x 65 x 10 mm -	2.00	14