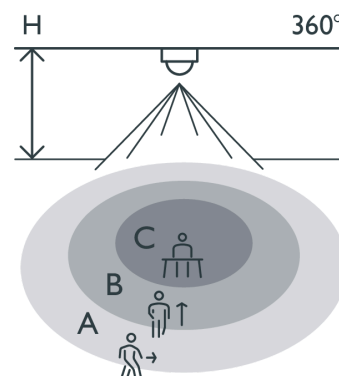


Presence detector, 230 V, master, 2 channels, 24 m, IP54, for surface mounting, white

350-20082



Detection range



Master presence detector with increased detection range, 2x external switch input, full and semi-automatic mode, two potential-free switch outputs to switch 2 conventional lighting strips or 1x lighting plus 1x HVAC. The lux level (lux) can be freely chosen for each channel (lighting or HVAC). Range extension with up to 10 secondary detectors.

Colour: white

Compatible secondary detectors: 350-20071, 350-20079, 350-20081

Compatible master detectors:

- Simple mounting
- Low power consumption (0.2 W)
- Splashproof (IP54)
- Large detection zone with a diameter of 24 m, from a height of 3 m

For use in offices, school buildings, cafeterias, etc.

- Depending on the application selected:
- When a push button is used, the user can choose not to wait for the end of the switch-off delay and turn off the lighting when they leave the room (eco switch-off). This function can be disabled, for example in (public) premises where the user cannot turn off the lighting as a safety measure.
- The switch-off delay, the lux value from which the lighting must turn on and the sensitivity of the detector can be set by channel.

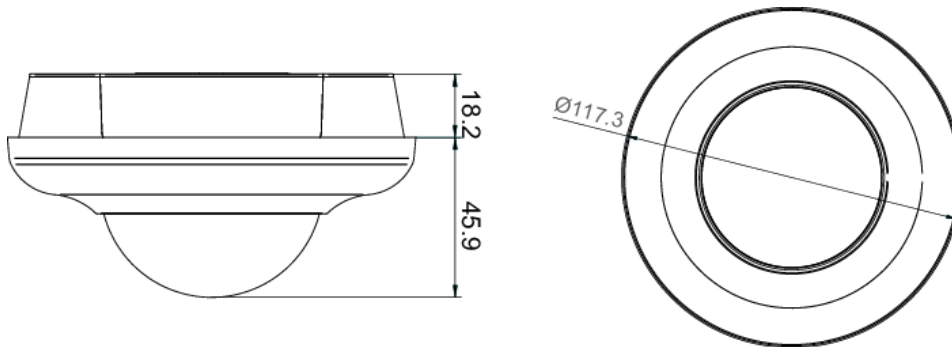
H	A Across	B Towards	C Presence
2 m	ø 16 m	ø 10 m	ø 4 m
2.5 m	ø 20 m	ø 12 m	ø 5 m
3 m	ø 24 m	ø 14.4 m	ø 6 m
3.5 m	ø 28 m	ø 16 m	ø 7 m

- The detector can be set manually on the device or using the IR remote control (optional).
- The sensor's lens can be covered with the cover mask provided, so you can divide the detection zone. The cover mask can be adapted according to the desired detection range.

Technical features

Compatible secondary detectors	350-20071, 350-20079, 350-20081
Configuration	master
Input voltage	230 Vac
Detector output	230 V (ON/OFF)
Switch-off delay	120 sec – 3,600 sec, ∞
Maximum MCB rating	-10
Detection angle	360 °
Detection range (PIR)	∅ 24 m from a height of 3 m
Minimum ambient temperature	-5 °C
Maximum ambient temperature	+50 °C
Mounting method	surface mounting
Mounting height	2 m – 3.4 m
Colour	white
Dimensions (HxWxD)	117.3 mm x 117.3 mm x 64.1 mm
Protection degree standalone	IP54
Impact resistance	IK04

Dimensions



Wiring diagram

