



Ball valves with built-in check valve

3230 - 332 - 333 - 334 - 327 series

www.caleffi.com



- Two devices combined in a single body: a ball shut-off cock and a check valve locate inside the ball.
- The dual function means faster installation: this compact device required less amount of space on the pipe.
- Slightly increased head losses offset by a significantly increased flow rate make them perfect for hydraulic systems.
- Materials compliant with WRAS and ACS certifications.
- Thanks to a special coupling, the sliding parts are not sensitive to the small impurities in the water.
- Instant closure and a watertight seal are guaranteed, even with slight counter pressure.

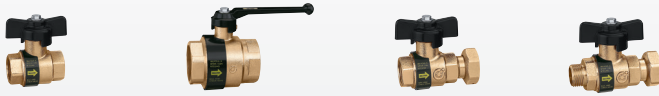


CALEFFI
Hydronic Solutions

TECHNICAL SPECIFICATION

For domestic water systems

Max. working pressure	16 bar
Max. working temperature	90 °C
Min. working temperature	5 °C



Connection				
1/2"	1"	1/2" F x nut 3/4" F	1/2" M x nut 3/4" F	1/2" M x 1/2" F
3/4"	1 1/4"	3/4" F x nut 3/4" F	3/4" M x nut 3/4" F	
1"	1 1/2"			
	2"			

For heating systems

Max. working pressure	16 bar
Max. working temperature	110 °C
Min. working temperature	5 °C

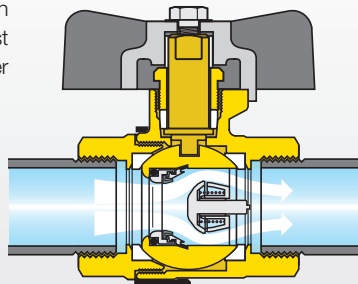


Connection	
1/2"	1"
3/4"	1 1/4"
	1 1/2"
	2"

OPERATING PRINCIPLE

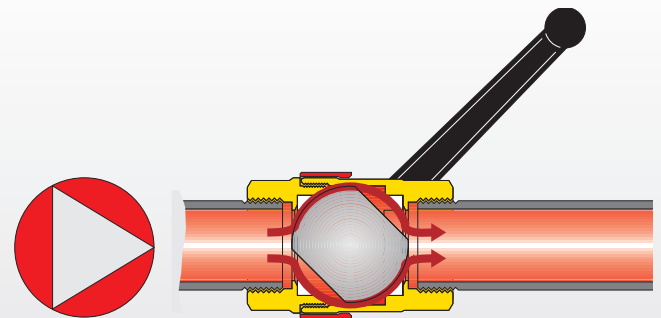
During normal circulation of the medium within the system, the obturator is pushed against the counter-spring inside it, so as to open the channel to allow the medium to flow through. When the pressure downstream of the valve exceeds the upstream value, the obturator is pushed in the opposite direction, against the seal seat on the ball, in order to prevent medium back flow.

The ball, equipped with a butterfly handle or lever, acts as a normal shut-off device.



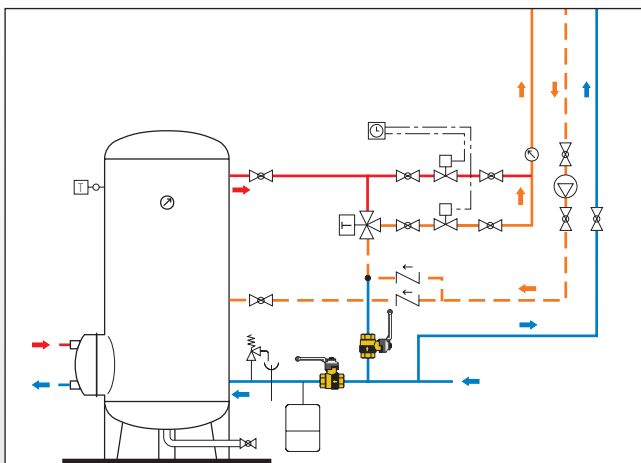
CHECK VALVE EXCLUSION

If necessary, the check valve can be excluded by setting the lever to 45°.

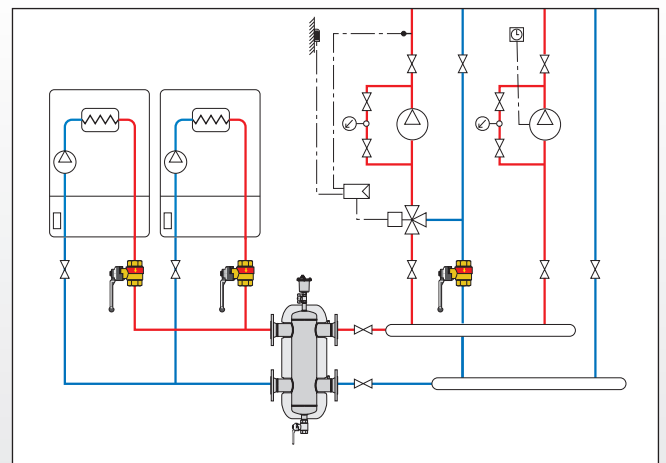


APPLICATION DIAGRAMS

Centralised domestic hot water production system with thermal disinfection.



Heating system with two heat generators and different secondary circuits.



REFERENCE DOCUMENTATION

Depliant 01021

CALEFFI
Hydronic Solutions

0358223EN