

## Technische Daten/ Technical Data

### KLUDI-DIVE S

thermostatic dual shower system 3 S  
DN 15

Ref.: 6807939-00

Finishes:  
39 matt black

#### Product description

Manufacturer KLUDI GmbH & Co. KG  
Typ: KLUDI-DIVE S  
thermostatic dual shower system 3 S  
Ref.: 6807939-00

thermostatic shower mixer  
wall mounted  
with ceramic shut-off valve 90°/90°  
temperature handle with hot water safety at 40°C  
shower outlet G1/2  
protected against back flow  
with integrated back flow preventer  
S-unions G1/2 x G3/4  
with dirt-catcher sieve  
with fixing material  
height-adjustable hand shower hook  
with horizontally and vertically adjustable pipe  
for wall mounted

#### hand shower 3 S

flow rate at 3 bar 15 l/min.  
(with possibility of limiting to 9 l/min.)  
3 spray pattern  
Body/Hair/Skin  
with cleaning system  
connection G1/2  
sieve seal

shower hose  
plastic coated  
with metal-effect  
with conical nuts  
anti twist  
G1/2 x G1/2 x 1600mm

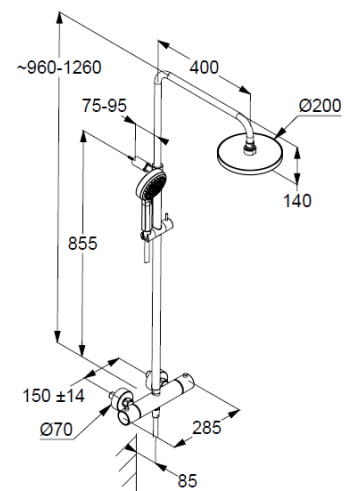
#### head shower 1 S

1 spray pattern  
with cleaning system  
connection G1/2  
with ball joint  
Ø 200mm  
sieve seal

### Produktabbildung/ Product picture



### Maßzeichnung/ Dimensional drawing



### Durchfluss/ Flow rate

