












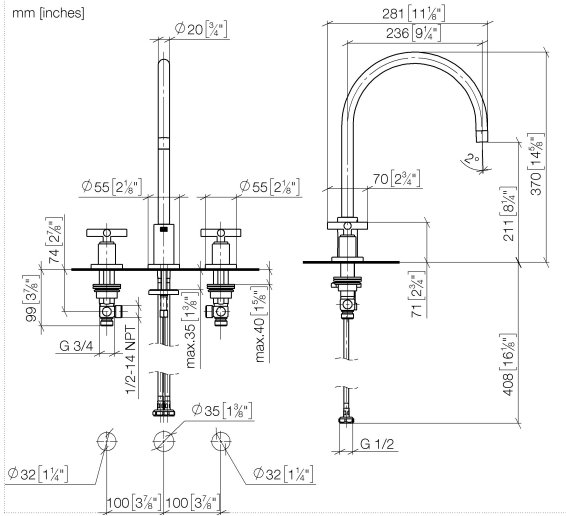
20 816 892 Product version from 4/1/2024



- 235mm projection
- pivotable spout 360°
- air-enriched flow
- height of mixer 370 mm
- height up to aerator 212 mm
- hole diameter spout 35 mm
- hole diameter valve 32 mm
- max. flow 7 l/min at 3 bar flow pressure
- lead-free
- This product can help a building meet the requirements of Green Building Rating Systems, e.g. LEED®, BREEAM®, DGNB

	Brushed Dark Bronze (PVD)	20 816 892-43
	Chrome	20 816 892-00
	Brushed Platinum	20 816 892-06
	Platinum	20 816 892-08
	Durabronze (23kt Gold)	20 816 892-09
	Dark Chrome	20 816 892-19
	Brushed Durabronze (23kt Gold)	20 816 892-28
	Matte Black	20 816 892-33
	Brushed Dark Brass (PVD)	20 816 892-39
	Brushed Bronze (PVD)	20 816 892-42
	Brushed Champagne (22kt Gold)	20 816 892-46
	Champagne (22kt Gold)	20 816 892-47
	Brushed Chrome	20 816 892-93
	Brushed Dark Platinum	20 816 892-99

20 816 892 Product version from 4/1/2024



Flow rate chart



Codes & Standards

DIN 4109

ISO 3822

Ü-Zeichen



TARA Three-hole mixer - Brushed Dark Bronze (PVD)

TARA

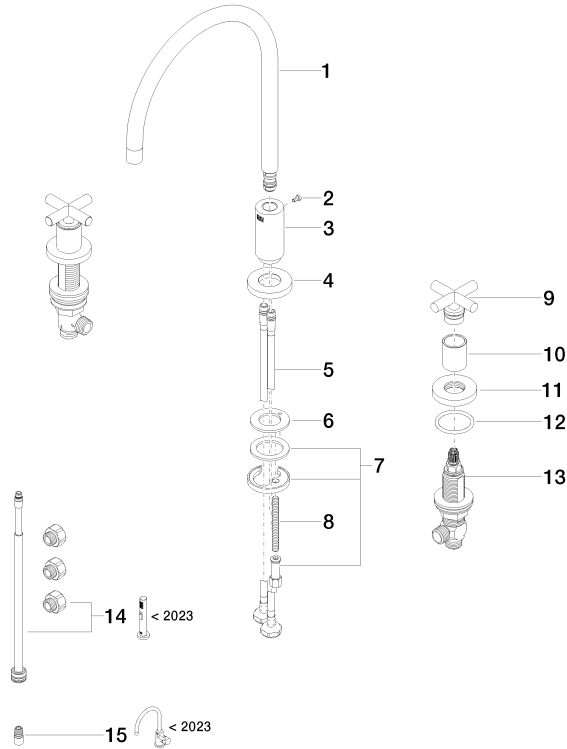
20 816 892 Product version from 4/1/2024

Certificates and sustainability

LGA_38

20 816 892 Product version from 4/1/2024

Parts for other finishes can be found here: [Chrome](#)



Spare parts list

No.	Item Number	Name	Quantity used	Delivery time
8	09 31 11 011 90	Mounting Threaded bolt M8 x 80 mm -	1.00	14
11	09 27 89 105-43	Rosette Ø 55 x Ø 47,3 x 9 mm - Brushed Dark Bronze (PVD)	2.00	82
5	04 30 04 019 00 90	High pressure hose with sleeve nut M10x1 x 1/2" x 420 mm -	2.00	14
3	09 11 10 088 10-43	Connection DB logo Ø 35 x 79 mm - Brushed Dark Bronze (PVD)	1.00	82
10	09 21 02 140-43	Cover Ø 30 x 36 mm - Brushed Dark Bronze (PVD)	2.00	82
7	04 30 11 038 00 90	Mounting with O-ring Ø40 x 4mm Ø 52 x 1,5 mm -	1.00	14
4	09 28 10 140-43	Rosette for three-hole basin mixer Ø 59 x Ø 27,5 x 9 mm - Brushed Dark Bronze (PVD)	1.00	82
13	90 17 11 040 51 90	Deck valve clockwise closing 1/2" -	2.00	14
15	90 24 03 537 01 90	Adapter M10 -	1.00	14
1	90 28 22 226 01-43	spout	1.00	54
14	90 17 09 046 13 90	Conversion kit for diverter Rinsing spray 1/2" -	1.00	14
2	09 30 30 057 90	Mounting Cylinder head screw with hexagon socket with low profile M4 x 8 mm -	1.00	14
6	09 14 05 047 90	Washer with drill hole Ø 48 x 27,2 x 3 mm -	1.00	14
9	90 20 89 010 10-43	Handle TARA - Brushed Dark Bronze (PVD)	2.00	54
12	90 14 10 043 00 90	O-Ring 40,0 x 4,0 mm -	2.00	14