

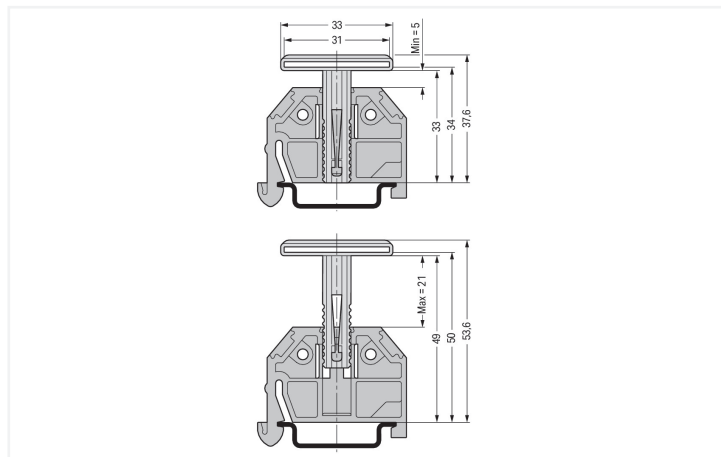
Data Sheet | Item Number: 709-119

Group marker carrier; gray

<https://www.wago.com/709-119>



Color: ■ gray



Dimensions in mm

Technical data

Suitable	Carrier-end element for end stops (249-116 and 249-117)
Properties	snap-on type and adjustable in height

Material data

Color	gray
Weight	1.5 g
Fire load	0.045 MJ

Commercial data

Product Group	2 (Terminal Block Accessories)
PU (SPU)	50 (25) pcs
Packaging type	Box
Country of origin	DE
GTIN	4017332605823
Customs tariff number	39269097900

Product Classification

UNSPSC	39121702
eCl@ss 10.0	27-14-40-75
eCl@ss 9.0	27-14-40-75
ETIM 9.0	EC002248
ETIM 8.0	EC002248
ECCN	NO US CLASSIFICATION

Environmental Product Compliance

RoHS Compliance Status	Compliant, No Exemption
------------------------	-------------------------

Downloads

Environmental Product Compliance

Compliance Search			
Environmental Product Compliance 709-119			↓

Documentation

Bid Text			
709-119	19.02.2019	xml 2.51 KB	↓
709-119	04.01.2018	doc 23.50 KB	↓

CAD/CAE-Data

CAD data			
2D/3D Models 709-119			↓

CAE data			
WSCAD Universe 709-119			↓
ZUKEN Portal 709-119			↓

1 Compatible Products

1.1 Required Accessories

1.1.1 Marking

1.1.1.1 Marking card



[Item No.: 709-193](#)
Marking strips; for laser printer; white

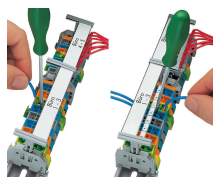
1.1.1.2 Marking strip receptacle



[Item No.: 709-120](#)
Group marker carrier; transparent

Installation Notes

Marking



Laterally movable marking system