

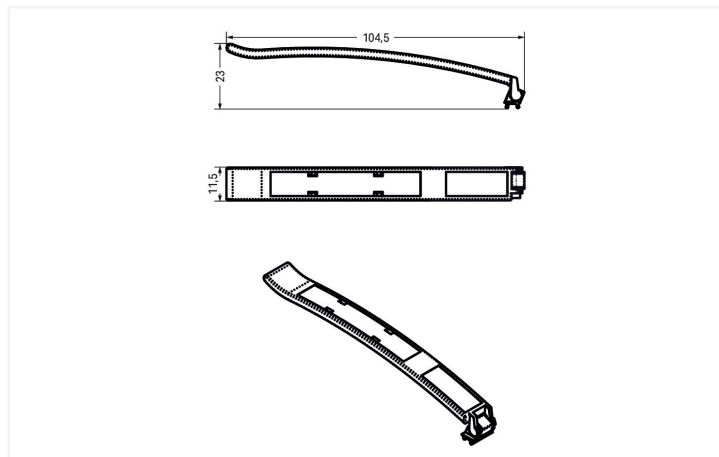
# Data Sheet | Item Number: 750-103

## Group marker carrier

<https://www.wago.com/750-103>



Color:  transparent



Dimensions in mm

The hinged 750-103 Marker Carrier allows group marking of WAGO I/O System 750/753 Series components, while featuring a large area for marking components individually.

The marker carrier can be accommodated in the upper Mini-WSB marker slot.

### Technical data

Suitable	Allows group marking of WAGO I/O System components
Properties	Hinged

### Physical data

Height	23 mm
Width	11.5 mm / 0.453 inches
Depth	104.5 mm / 4.114 inches

### Material data

Color	transparent
Weight	2.8 g
Fire load	0.087 MJ

### Commercial data

Product Group	15 (I/O System)
PU (SPU)	50 pcs
Packaging type	Box
Country of origin	DE
GTIN	4045454769475
Customs tariff number	39269097900

**Product Classification**

UNSPSC	39121708
eCl@ss 10.0	27-14-40-75
eCl@ss 9.0	27-37-12-29
ETIM 9.0	EC002248
ETIM 8.0	EC002248
ECCN	NO US CLASSIFICATION

**Environmental Product Compliance**

RoHS Compliance Status	Compliant, No Exemption
------------------------	-------------------------

**Downloads**

**Environmental Product Compliance**

Compliance Search

Environmental Product Compliance 750-103	<a href="#">↓</a>
--	-------------------

**Documentation**

Bid Text

750-103	19.02.2019	xml 3.02 KB	<a href="#">↓</a>
750-103	09.01.2019	docx 13.54 KB	<a href="#">↓</a>

**CAD/CAE-Data**

CAD data

2D/3D Models 750-103	<a href="#">↓</a>
----------------------	-------------------

CAE data

EPLAN Data Portal 750-103	<a href="#">↓</a>
WSCAD Universe 750-103	<a href="#">↓</a>

**1 Compatible Products**

**1.1 Required Accessories**

**1.1.1 Marking**

**1.1.1.1 Marker**



**Item No.: 750-105**  
 Marker card; as a DIN A4 sheet; plain

## 1.2 Optional Accessories

### 1.2.1 Marking

#### 1.2.1.1 Marking strip



Item No.: [709-178](#)

Marking strips; on reel; 7.5 mm wide; not stretchable; plain; snap-on type; white