

# Motion detector, 230 V, 16 m, 240°, IP54, for surface mounting, black

351-26562



4 year warranty



This 1-channel outdoor motion detector, which is not activated by pets, is perfectly suitable for every light switch around the house. The detection range is 16 metres. The motion sensor can be precisely aimed. The device has a built-in light sensor and switches the lighting on automatically or manually with an N.O. push button (to be ordered separately). After the pre-set time delay, the light is switched off automatically. This sensor can be configured both manually and by remote control.

Remote control included.

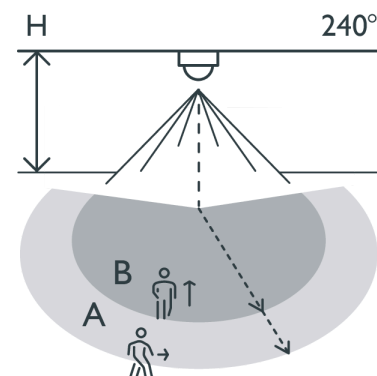
Colour: black

Compatible secondary detectors:

Compatible master detectors:

- With intelligent tolerance to small animals (can be activated/deactivated)
- Minimal power consumption < 0.25 W
- As wall and ceiling detector with elimination of creeping zones and curtain function
- Rotatable and inclinable sensor head

## Detection range

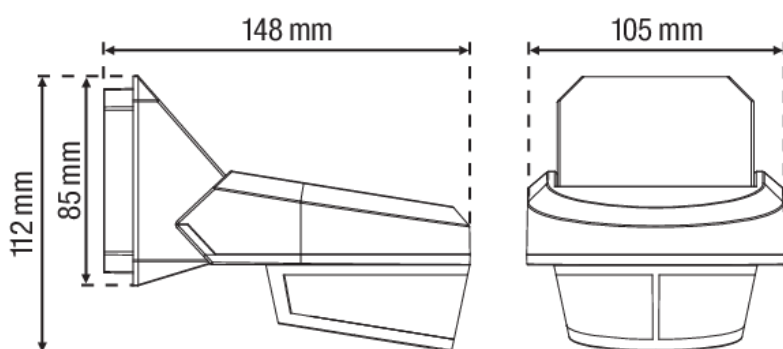


| H   | A<br>Across | B<br>Towards |
|-----|-------------|--------------|
| 2 m | 16 m        | 8 m          |
| 3 m | 16 m        | 8 m          |
| 4 m | 16 m        | 8 m          |
| 5 m | 16 m        | 8 m          |

## Technical features

|                              |                                     |
|------------------------------|-------------------------------------|
| Configuration                | stand-alone                         |
| Input voltage                | 230 Vac                             |
| Detector output              | 230 V (ON/OFF)                      |
| Maximum current consumption  | 2.61 mA                             |
| Switch-off delay             | pulse, 10 sec – 1,200 sec           |
| Maximum power consumption    | 0.6 W                               |
| Maximum MCB rating           | -10                                 |
| Detection angle              | 240 °                               |
| Detection range (PIR)        | ø 16 m from a height of 3 m         |
| Minimum ambient temperature  | -20 °C                              |
| Maximum ambient temperature  | +50 °C                              |
| Mounting method              | surface mounting                    |
| Mounting height              | 2 m – 5 m                           |
| Colour                       | black                               |
| Dimensions visible (HxWxD)   | 112 mm x 105 mm                     |
| Dimensions (HxWxD)           | 112 mm x 105 mm x 148 mm            |
| Protection degree standalone | IP54                                |
| Impact resistance            | IK02                                |
| Modification of settings     | Potentiometers or IR remote control |

## Dimensions



## Wiring diagram

