

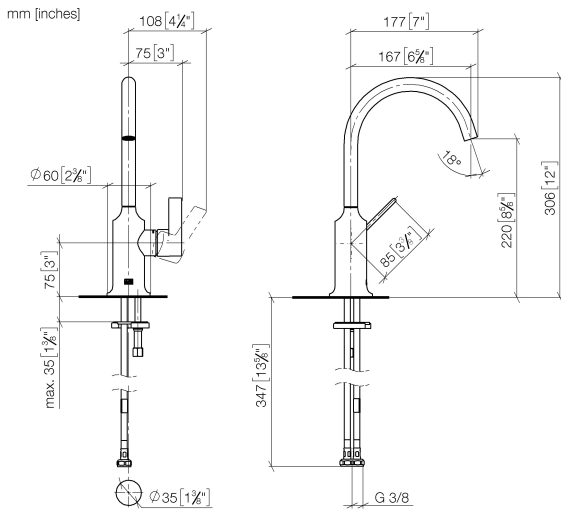
33 521 809 Product version from 3/13/2017



- 167mm projection
- pivotable spout 360°
- circular, air-enriched flow
- height of mixer 306 mm
- height up to aerator 220 mm
- hole diameter 35 mm
- 2x screw-in M 8 x 1 pressure hose, leak-tested
- max. flow 5.7 l/min
- lead-free
- This product can help a building meet the requirements of Green Building Rating Systems, e.g. LEED®, BREEAM®, DGNB
- WRAS

	Brushed Platinum	33 521 809-06
	Chrome	33 521 809-00
	Platinum	33 521 809-08
	Dark Chrome	33 521 809-19
	Brushed Durabrass (23kt Gold)	33 521 809-28
	Brushed Gold (PVD)	33 521 809-37
	Brushed Dark Brass (PVD)	33 521 809-39
	Brushed Bronze (PVD)	33 521 809-42
	Brushed Dark Bronze (PVD)	33 521 809-43
	Brushed Champagne (22kt Gold)	33 521 809-46
	Champagne (22kt Gold)	33 521 809-47
	Brushed Dark Platinum	33 521 809-99

33 521 809 Product version from 3/13/2017



**Flow rate chart**



**Codes & Standards**

DIN 4109

Executive Order  
no. 1007

ISO 3822

Scottish Water  
Byelaws

UK Water Supply  
Regulations

Ü-Zeichen



## VAIA Single-lever basin mixer without pop-up waste - Brushed Platinum

VAIA

33 521 809 Product version from 3/13/2017

### Certificates and sustainability

WRAS\_240702

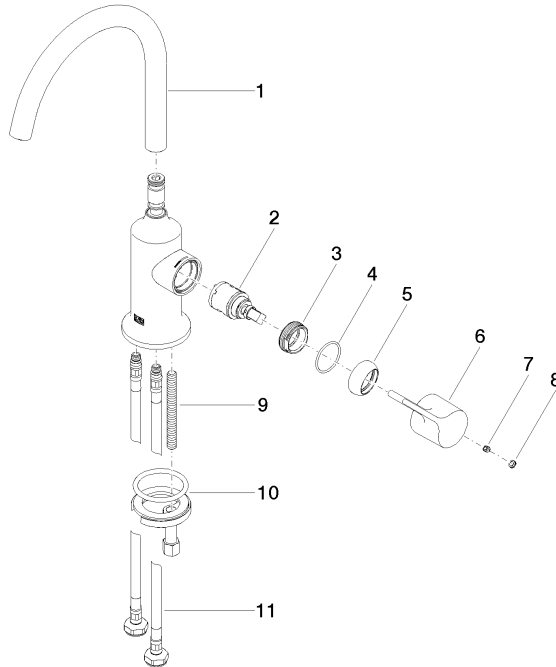
GDV\_0400

LGA\_29

EPD-DOR-20230287  
-IBA1-EN  
Environmental.prod  
uct-declarat

33 521 809 Product version from 3/13/2017

Parts for other finishes can be found here: [Chrome](#)



## Spare parts list

No.	Item Number	Name	Quantity used	Delivery time
	9 09 31 11 011 90	Mounting Threaded bolt M8 x 80 mm -	1.00	14
	4 09 14 10 091 90	O-Ring NBR 70 26,5 x 1,72 mm -	1.00	14
	2 90 15 05 042 00 90	Cartridge Ø 25 x 52 mm -	1.00	14
	11 04 30 04 100 00 90	High pressure hose M8x1 x 3/8" x 420 mm -	2.00	14
	3 09 24 04 266 90	Mounting Ø 28 x 10,8 mm -	1.00	14
	5 09 28 30 021-06	Cover Ø 32 x 11 mm - Brushed Platinum	1.00	20
	7 90 31 11 030 00 90	Mounting Threaded pin with hexagon socket with cup point M5 x 5 mm -	1.00	14
	1 90 28 22 311 00-06	Spout for washstand deck mounting 167 mm, 5,68 l/min. - Brushed Platinum	1.00	20
	10 04 30 11 038 00 90	Mounting with O-ring Ø40 x 4mm Ø 52 x 1,5 mm -	1.00	14
	8 90 31 20 087 00-06	Plug with O-ring Ø 7 x 2,1 mm - Brushed Platinum	1.00	20
	6 90 20 80 070 00-06	Lever 37 x 34 x 107 mm - Brushed Platinum	1.00	20