

# Motion detector, 230 V, 14 m, round, for flush-mounting box, white

351-25340



4 year warranty



230 V



stand-alone



IP20



N.O.



5 lx - 2,000 lx



360°



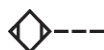
14 m from a height of 3 m



2 m - 6 m



flush-mounting box



The motion detector with one channel for flush mounting in ceilings is suitable for switching indoor lighting on and off. You can always activate the light with a N.O. push button (230 Vac) (to be ordered separately). The detector is equipped with an integrated light sensor.

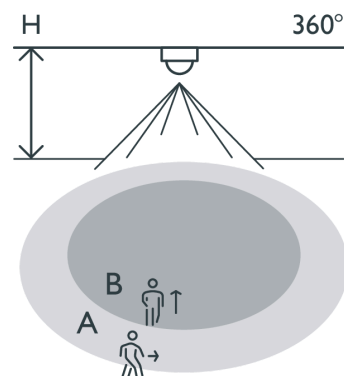
Colour: white

Compatible secondary detectors:

Compatible master detectors:

- Ideal for all standard applications (walking areas), such as stairwells, basements, underground garages, etc.
- Very good price/quality for standard applications

## Detection range



H	A Across	B Towards
2 m	∅ 10 m	∅ 5 m
2.5 m	∅ 12 m	∅ 6 m
3 m	∅ 14 m	∅ 7 m
3.5 m	∅ 16 m	∅ 8 m
4 m	∅ 16 m	∅ 8 m
5 m	∅ 16 m	∅ 8 m
6 m	∅ 16 m	∅ 8 m

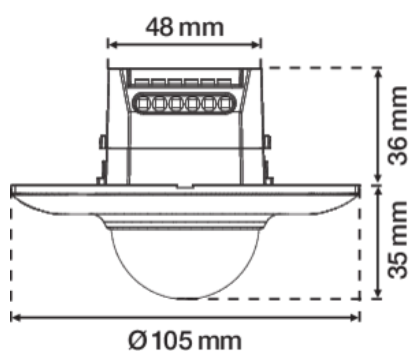
## Technical features

Configuration	stand-alone
Input voltage	230 Vac
Detector output	230 V (ON/OFF)
Maximum current consumption	3.91 mA
Switch-off delay	pulse, 10 sec – 1,200 sec
Maximum power consumption	0.9 W
Maximum MCB rating	-10
Detection angle	360 °
Detection range (PIR)	14 m from a height of 3 m
Minimum ambient temperature	-20 °C
Maximum ambient temperature	+40 °C
Mounting method	flush-mounting box
Mounting height	2 m – 6 m
Colour	white
Dimensions visible (HxWxD)	105 mm x 105 mm
Dimensions (HxWxD)	105 mm x 105 mm x 71 mm
Protection degree standalone	IP20
Impact resistance	IK02
Modification of settings	Potentiometers or IR remote control

## Accessories

351-25420	Surface-mounting box, round, white
350-41936	Universal remote control for smartphone
351-25320	IR remote control
351-25310	IR remote control for users

## Dimensions



## Wiring diagram

