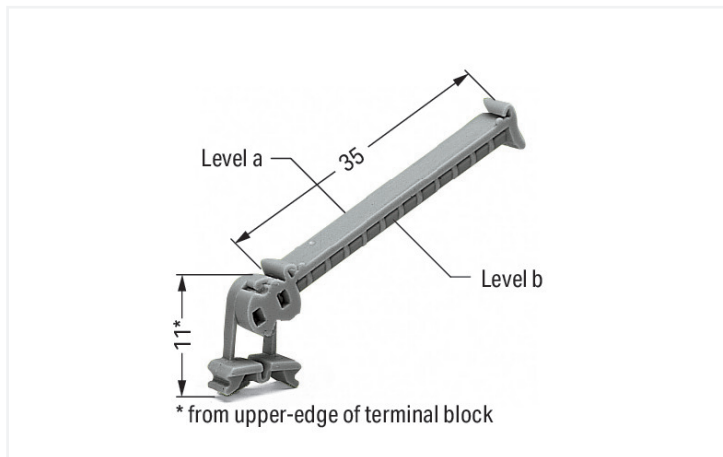


Data Sheet | Item Number: 249-105

Group marker carrier; gray

<https://www.wago.com/249-105>



Color: ■ gray

Technical data

Properties	pivoting
Insulation material (main housing)	Polyamide (PA66)
Flammability class per UL94	V0

Material data

Color	gray
Weight	0.7 g
Fire load	0.021 MJ

Commercial data

Product Group	2 (Terminal Block Accessories)
PU (SPU)	50 (25) pcs
Packaging type	Box
Country of origin	DE
GTIN	4017332315371
Customs tariff number	39269097900

Product Classification

UNSPSC	39121702
eCl@ss 10.0	27-14-40-75
eCl@ss 9.0	27-14-40-75
ETIM 9.0	EC002248
ETIM 10.0	EC002248
ECCN	NO US CLASSIFICATION

Environmental Product Compliance

RoHS Compliance Status	Compliant, No Exemption
------------------------	-------------------------

Downloads

Environmental Product Compliance

Compliance Search	
Environmental Product Compliance 249-105	↓

CAD/CAE-Data

CAD data	
2D/3D Models 249-105	↓

CAE data	
WSCAD Universe 249-105	↓

ZUKEN Portal 249-105	↓
----------------------	-------------------

1 Compatible Products

1.1 Required Accessories

1.1.1 Marking

1.1.1.1 Marker



Item No.: 209-183
Marker; white

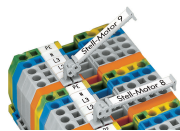
1.1.1.2 Protective marker cover



Item No.: 209-184
Protection cover; transparent

Installation Notes

Application



This pivoting group marker carrier has been developed for group marking of rail-mount terminal blocks and incorporates many customer requirements:

- Can be used in all multiprofile marker slots for rail-mount terminal blocks 5 mm (0.197 inch) and above or in spacer housings as shown above.
- Pivotal to seven different stable positions, providing the best visual angle in case of difficult mounting conditions
- Two levels for different marking systems
Level a: for marker (4 x 34) mm (see above)
Level b: for 12 WCB-Combi markers (see www.wagocatalog.com)