

Motion detector, 230 V, 16 m, 240°, IP54, for surface mounting, white

351-26560



4 year warranty



230 V



stand-alone



IP54



N.O.,
potential-free



5 lx – 2,000 lx



240°



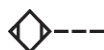
ø 16 m from a
height of 3 m



2 m – 5 m



surface-
mounting



Detection range

H	A Across	B Towards
2 m	16 m	8 m
3 m	16 m	8 m
4 m	16 m	8 m
5 m	16 m	8 m

This 1-channel outdoor motion detector, which is not activated by pets, is perfectly suitable for every light switch around the house. The detection range is 16 metres. The motion sensor can be precisely aimed. The device has a built-in light sensor and switches the lighting on automatically or manually with an N.O. push button (to be ordered separately). After the pre-set time delay, the light is switched off automatically. This sensor can be configured both manually and by remote control.

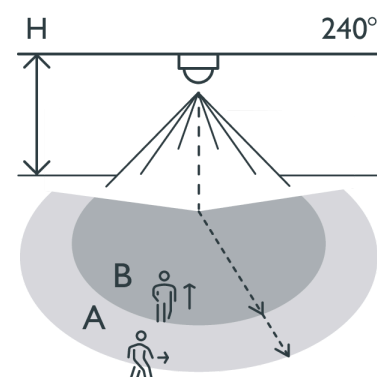
Remote control included.

Colour: white

Compatible secondary detectors:

Compatible master detectors:

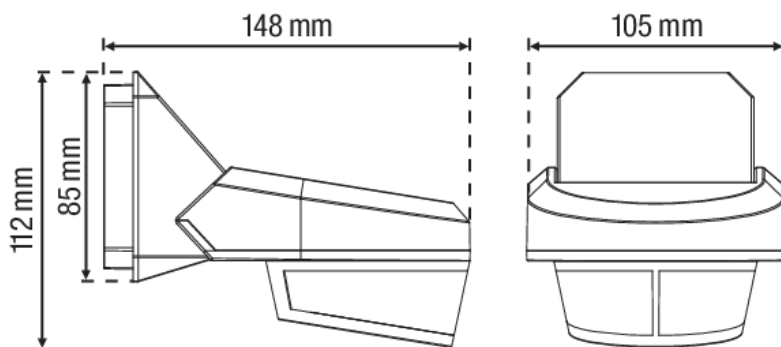
- With intelligent tolerance to small animals (can be activated/deactivated)
- Minimal power consumption < 0.25 W
- As wall and ceiling detector with elimination of creeping zones and curtain function
- Rotatable and inclinable sensor head



Technical features

Configuration	stand-alone
Input voltage	230 Vac
Detector output	230 V (ON/OFF)
Maximum current consumption	2.61 mA
Switch-off delay	pulse, 10 sec – 1,200 sec
Maximum power consumption	0.6 W
Maximum MCB rating	-10
Detection angle	240 °
Detection range (PIR)	ø 16 m from a height of 3 m
Minimum ambient temperature	-20 °C
Maximum ambient temperature	+50 °C
Mounting method	surface mounting
Mounting height	2 m – 5 m
Colour	white
Dimensions visible (HxWxD)	112 mm x 105 mm
Dimensions (HxWxD)	112 mm x 105 mm x 148 mm
Protection degree standalone	IP54
Impact resistance	IK02
Modification of settings	Potentiometers or IR remote control

Dimensions



Wiring diagram

