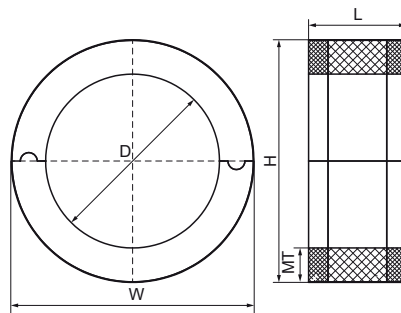


Walraven BISOFIX® E19

(D0314)

for insulated pipes



Features & benefits

- for combination with elastomeric foam insulation
- vapourproof glueable with pipe insulation
- does not contain CFC, HCFC, formaldehyde or cadmium
- fire class B2
- PIR density for $D < 80\text{mm} = 80\text{kg/m}^3$
- PIR density for $D > 80\text{mm} = 120\text{kg/m}^3$
- temperature range $-45\text{ }^\circ\text{C} - +105\text{ }^\circ\text{C}$



Product Number	Outside Pipe Diameter	DN	Total Height	Total Width	Total Length	Material Thickness	Operating Temperature	Maximum Allowed Load Faz
Reference Letter	D	D	H	W	L	MT	CEL	F _{a,z}
Unit description	mm		mm	mm	mm	mm		N
I19000012	12		51	51	50	19.30	-45 - 105	100
I19000015	15		54	54	50	19.50	-45 - 105	100
I19000018	17.2 - 18	DN 10	57	57	50	19.30	-45 - 105	100
I19000022	21.3 - 22	DN 15	61	61	50	19.30	-45 - 105	100
I19000028	26.9 - 28	DN 20	67	67	50	19.30	-45 - 105	100
I19000035	33.7 - 35	DN 25	75	75	50	19.90	-45 - 105	100
I19000042	42.4	DN 32	81	81	50	19.30	-45 - 105	150
I19000048	48.3	DN 40	88	88	50	19.90	-45 - 105	225
I19000054	54		100	100	50	23.00	-45 - 105	225
I19000057	57		103	103	50	23.00	-45 - 105	225
I19000060	60.3	DN 50	100	100	50	19.90	-45 - 105	350
I19000064	64		115	115	50	25.30	-45 - 105	350
I19000070	70		125	125	50	27.30	-45 - 105	425
I19000076	76.1	DN 65	127	127	50	25.30	-45 - 105	575
I19000089	88.9	DN 80	140	140	50	25.30	-45 - 105	875
I19000102	101.6		152	152	50	25.30	-45 - 105	1,000
I19000108	108		159	159	50	25.30	-45 - 105	1,075
I19000114	114.3	DN 100	165	165	50	25.30	-45 - 105	1,250
I19000133	133		192	192	100	29.50	-45 - 105	1,475
I19000140	139.7	DN 125	192	192	100	26.20	-45 - 105	1,950
I19000160	159 - 160		211	211	100	25.30	-45 - 105	2,125
I19000168	168.3	DN 150	219	219	100	25.30	-45 - 105	3,525
I19000219	219.1	DN 200	270	270	100	25.30	-45 - 105	3,525
I19000356	356		407	407	100	25.30	-45 - 105	3,525
I19000273	273.1	DN 250	324	324	100	25.30	-45 - 105	3,525
I19000324	323.9	DN 300	375	375	100	25.30	-45 - 105	3,525