

# DRE

Electric Commercial Water Heater  
Electrische Commerciele Boiler  
Chauffe-eau Tertiaire Électrique

**DRE 52/80**

Installation, User and Service Manual  
Installatie-, Gebruikers- en Servicehandleiding  
Manuel d'installation, d'utilisation et d'entretien





Data is subject to change / Gegevens onderhevig aan verandering / Données sujettes à révision

**A.O. Smith Europe**

De Run 5305  
PO Box 70  
5500 AB Veldhoven  
The Netherlands

**A.O. Smith Hoofdkantoor Europa**

De Run 5305  
Postbus 70  
5500 AB Veldhoven  
Nederland

**A.O. Smith siège social Europe**

De Run 5305  
Boîte postale 70  
5500 AB Veldhoven  
Pays-Bas

T : +31 (0)40 294 2500  
T : 0800 267 6484  
info@aosmith.nl  
www.aosmithinternational.com



## English

	Preface.....	3
	About this manual.....	7
	<b>User part.....</b>	<b>13</b>
1	Introduction.....	15
2	Safety.....	17
3	Operation.....	19
4	Use.....	21
	<b>Installation, Maintenance and Service part.....</b>	<b>23</b>
5	Introduction.....	25
6	Safety.....	27
7	Water heater.....	33
8	Installation.....	35
9	Maintenance.....	45
10	Troubleshooting.....	49
11	Warranty.....	51
	Index.....	53

## Nederlands

	Voorwoord.....	3
	Informatie over deze handleiding.....	7
	<b>Gedeelte voor de gebruiker.....</b>	<b>13</b>
1	Inleiding.....	15
2	Veiligheid.....	17
3	Werking.....	19
4	Gebruik.....	21
	<b>Gedeelte over de installatie en het onderhoud... 23</b>	
5	Inleiding.....	25
6	Veiligheid.....	27
7	Boiler.....	33
8	Installatie.....	35
9	Onderhoud.....	45
10	Storingen.....	49
11	Garantie.....	51
	Index.....	53

## Français

	Préface.....	3
	À propos de ce manuel.....	7
	<b>Partie Utilisateur.....</b>	<b>13</b>
1	Introduction.....	15
2	Sécurité.....	17

<b>3</b>	<b>Fonctionnement.....</b>	<b>19</b>
<b>4</b>	<b>Utilisation.....</b>	<b>21</b>
	<b>Partie Installation et entretien.....</b>	<b>23</b>
<b>5</b>	<b>Introduction.....</b>	<b>25</b>
<b>6</b>	<b>Sécurité.....</b>	<b>27</b>
<b>7</b>	<b>Chauffe-eau.....</b>	<b>33</b>
<b>8</b>	<b>Installation.....</b>	<b>35</b>
<b>9</b>	<b>Entretien.....</b>	<b>45</b>
<b>10</b>	<b>Pannes.....</b>	<b>49</b>
<b>11</b>	<b>Garantie.....</b>	<b>51</b>
	<b>Index.....</b>	<b>53</b>

## **Common appendices**

<b>A</b>	<b>Appendices.....</b>	<b>55</b>
----------	------------------------	-----------



# Preface

## Copyright

Copyright © 2021 A.O. Smith Water Products Company

All rights reserved.

Nothing from this publication may be copied, reproduced and/or published by means of printing, photocopying or by whatsoever means, without the prior written approval of A.O. Smith Water Products Company.

A.O. Smith Water Products Company reserves the right to modify specifications in this manual.

## Trademarks

Brand names in this manual are registered trademarks of their respective owners.

## Warranty

Refer to the appendix [Warranty](#) (see 11) for the warranty provisions.

## Liability

### User

A.O. Smith accepts no liability when the water heater is not used correctly and requires the user to:

- Read this manual carefully and obey the instructions.
- Ask your installation engineer for advise about the use of the water heater.
- Make sure that the service and maintenance activities are done by a qualified engineer.
- Store the manual, in good condition, near the water heater.

### Installation engineer

A.O. Smith accepts no liability when the water heater is not used correctly and requires the installation engineer to:

- Read this manual carefully and obey the instructions.
- Make sure that the entire water heater installation complies with the applicable [regulations](#) (on page 4).
- Make sure that the water heater is tested before the installation is taken into use.
- Explain the correct use to the user.
- Notify the user when service and maintenance activities are necessary.
- Make sure that you hand over all applicable manuals.

## Supplier

The DRE water heater is designed in accordance with the applicable regulations. The water heater is delivered with compliancy-marking and all necessary documentation to obey these regulations. See the compliance section.

A.O. Smith accepts no liability for claims from third parties when:

- The instructions for the correct installation of the water heater are not obeyed.
- The instructions for the correct use of the water heater are not obeyed.
- The water heater did not have maintenance on the correct maintenance interval.

For more information, refer to the General Terms of Sales. These are available on request, free of charge.

We believe that this manual provides you with accurate and complete descriptions of all relevant components. If you, nonetheless find errors or inaccuracies in this manual, please inform A.O. Smith. This helps us to further improve our documentation.

## Compliance

To safely produce domestic hot water, the design and construction of the DRE water heaters is in accordance with:

- CE
  - the European Directive 2014/35/EU on low voltage appliances (LVD)
  - the European Directive 2014/30/EU on Electromagnetic Compatibility (EMC)
  - the European Directives 2011/65/EU and 2015/863/EU on RoHS II and RoHS III
  - the European Directive 2009/125/EC on Ecological Design (ErP)
- UKCA
  - the Electrical Equipment (Safety) Regulations 2016 (UK SI 2016 No. 1101)
  - the Electromagnetic Compatibility Regulations 2016 (UK SI 2016 No. 1091)
  - the RoHS I regulations 2012 (UK SI 2012 No. 3032)
  - the Ecodesign for Energy-Related Products Regulation 2010 (UK SI 2010 No. 2617)

Refer to the appendix Declaration of conformity.

## Regulations

The installation of the equipment MUST be in accordance with the relevant requirements of the Building Regulations, I.E.E. Regulations and the bylaws of the local water board.

In addition, the installation should follow the relevant guidance offered in the following documents. It is not practical to list all relevant information due to continuous changes but emphasis is placed on the following documents, as failure to comply with the guidance given will almost certainly result in an unsatisfactory installation:

- British Standards (BS), especially:
  - BS 6700: 1997 - Design, installation, testing and maintenance of services supplying water for domestic use with buildings and their curtilages
  - BS 67074: 1989 Part 1 and 2 - Application, selection and installation of expansion vessels and ancillary equipment for sealed systems
  - BS 7671: 2008 - Requirements for electrical installations, I.E.E. wiring regulations seventeenth edition
  - CP 342: Part 2 1974 - Code of practice for centralized hot water supply-buildings other than dwellings
- CIBSE Guides
- Clean Air Act
- H.S.E Guidance



---

**Note**

Manufacturer's notes must not be taken in any way as overriding statutory obligations.

---

## Contact information

If you have any comments or questions, please contact:

A.O. Smith Water Products Company

Address: PO Box 70  
5500 AB Veldhoven  
The Netherlands

Telephone: 0800 - AOSMITH (free)  
0800 - 267 64 84

General: +31 40 294 25 00

E-mail: [info@aosmith.com](mailto:info@aosmith.com)

Website: [www.aosmith.co.uk](http://www.aosmith.co.uk)

In the event of problems with your electricity or water supply connections, please contact your (energy/water) supplier.



# About this manual

## Scope

This manual gives information about safe and correct use of the water heater and how installation, maintenance and service activities have to be done correctly. You must obey the instructions in this manual.



---

### Caution

Read this manual carefully before you start the water heater. It can cause personal injury and damage to the water heater when you do not read the manual and/or do not obey the instructions.

---

The purpose of this manual is to:

- describe the working principles and layout of the water heater
- explain the safety devices
- highlight possible hazards
- describe the use of the water heater
- describe the installation, service and maintenance of the water heater

This manual has two parts:

- An User part that describes the correct usage of the water heater.
- An Installation, Maintenance and Service part, that describes the correct installation and maintenance procedures.

## Target group

The information in this manual applies to three target groups:

- users
- installation engineers
- service and maintenance engineers

The User part is intended for the (end) users. The Installation, Maintenance and Service part is intended for the installation engineers and the service and maintenance engineers.

## Notation conventions

This manual uses the following text conventions:

- Numbers between parentheses e.g. (1), refer to elements in a figure that are described by the text.
- Cross-references to sections, tables, figures etc. are underlined and written as (see "..."). In the digital version, the cross-references function as hyperlinks that can be used to navigate through the manual by clicking on them. Example: Safety (see 2).

This manual contains the following text styles/symbols for situations that may endanger users/engineers, cause damage to equipment or need special attention:



---

### Note

A note gives more information on a topic.

---



---

**Caution**  
Obey the caution instructions to prevent damage of the water heater.

---



---

**Warning**  
Obey the warning instructions to prevent danger of personal injury, and serious damage to the water heater.

---

## Document identification

Article number	Language	Version
0313851	EN	1.1

# Table of Contents

<b>Preface</b> .....	<b>3</b>
Copyright.....	3
Trademarks.....	3
Warranty.....	3
Liability.....	3
Compliance.....	4
Regulations.....	4
Contact information.....	5
<b>About this manual</b> .....	<b>7</b>
Scope.....	7
Target group.....	7
Notation conventions.....	7
Document identification.....	8
<b>User part</b> .....	<b>13</b>
<b>1 Introduction</b> .....	<b>15</b>
<b>2 Safety</b> .....	<b>17</b>
<b>3 Operation</b> .....	<b>19</b>
3.1 Control components.....	19
3.2 Operating modes.....	19
3.2.1 OFF mode.....	19
3.2.2 ON mode.....	20
<b>4 Use</b> .....	<b>21</b>
4.1 Turn on the water heater.....	21
4.1.1 Temperature setting.....	21
4.2 Turn off the water heater.....	21
4.2.1 Turn off for a short period.....	21
4.2.2 Turn off for a long period.....	21

**Installation, Maintenance and Service part..... 23**

**5 Introduction..... 25**

5.1 About the water heater..... 25

5.2 Working principle..... 25

**6 Safety..... 27**

6.1 Safety instructions..... 27

6.2 Instructions on the water heater..... 28

6.3 Safety devices..... 29

6.4 Environmental aspects..... 31

6.4.1 Recycling..... 31

6.4.2 Disposal..... 31

**7 Water heater..... 33**

7.1 Structure of the water heater..... 33

**8 Installation..... 35**

8.1 Packaging..... 35

8.2 Conditions..... 35

8.2.1 Ambient conditions..... 35

8.2.2 Maximum floor load..... 35

8.2.3 Water composition..... 36

8.2.4 Working clearances..... 36

8.3 Installation diagram..... 37

8.4 Water connections..... 37

8.4.1 Cold water connection..... 37

8.4.2 Hot water connection..... 38

8.4.3 Circulation connection..... 38

8.5 Electrical connections..... 38

8.5.1 Preparation..... 39

8.5.2 Mains power..... 40

8.5.3 Finalization..... 40

8.6 Commissioning..... 41

8.6.1 Filling..... 41

8.6.2 Turn on the water heater..... 41

8.7 Decommissioning..... 42

8.7.1 Turn off the water heater..... 42

8.7.2 Draining..... 42

**9 Maintenance..... 45**

9.1 Preparation..... 45



- 9.2 Water-side maintenance..... 45
  - 9.2.1 Inspect the anode.....45
  - 9.2.2 Descale the tank..... 46
- 9.3 Performance check..... 47
- 9.4 Finalization..... 48
- 10 Troubleshooting..... 49**
  - 10.1 General errors.....49
- 11 Warranty..... 51**
- Index..... 53**



# User part



# 1

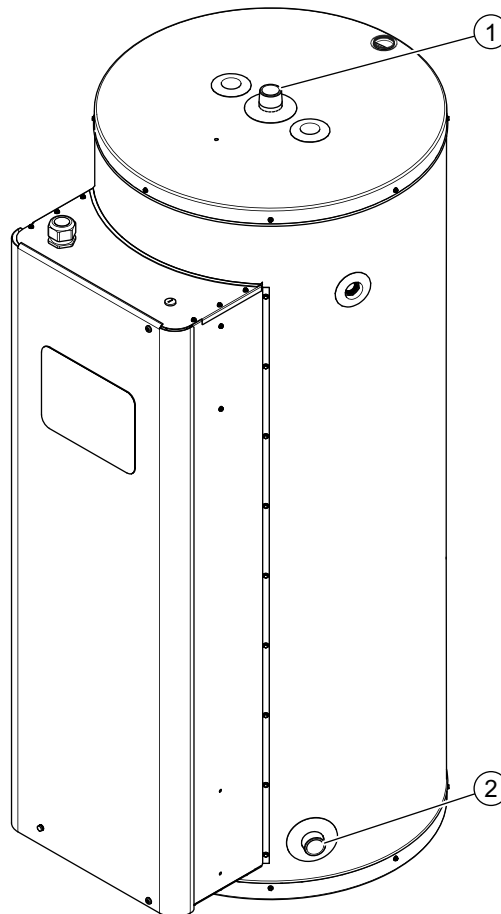
# Introduction

The DRE water heater stores and heats water for sanitary purposes.

Cold water enters the tank through the water inlet (2). The heated water leaves the tank at the top through the hot water outlet (1). When hot water is used, the tank of the water heater is filled with the same amount of cold water.

To operate the water heater, the control thermostat, on each row of heating elements, are used.

*Fig. DRE water heater*



- 1. Water outlet
- 2. Water inlet



A.O. Smith cannot be held responsible for damages or injuries which can be lead back to:

- Failure to follow the instructions provided in this manual.
- Carelessness during use or maintenance of the water heater.

Every user must study the user part of this manual and must follow the instructions in this part of the manual strictly. Do not change the sequence of the described actions. This manual must be available for the user and service engineer at all times.



---

**Warning**

If you detect a burning smell:

- Shut off the mains power supply.
- Shut off the mains gas supply.
- Alert the emergency services.



---

**Caution**

Do not store or use chemical substances in the room where the water heater is installed because of the risk of explosion and corrosion of the water heater. Some propellants, bleaching agents and degreasing agents etc. disperse of explosive vapors and/or cause accelerated corrosion. If the water heater is used in a room where such substances are stored or used, the warranty will be void.

**Caution**

Installation, maintenance and service may only by carried out by a qualified engineer.

**Caution**

The water heater is not intended for use by persons with reduced physical, sensory or mental capacities, or who lack the necessary experience or knowledge. When the person responsible for their safety is supervising or has explained how the water heater should be used, these persons can use the water heater.

**Caution**

This water heater is not intended to be used by children under the age of 16. Always supervise children, and make sure that they do not play with the water heater.



---

**Note**

Regular maintenance extends the service life of the water heater. To determine the correct service interval, the service and maintenance engineer must do a check on the water heater three months after installation. Based on this check, the best service interval can be determined.

---





# 3

# Operation

## 3.1

## Control components

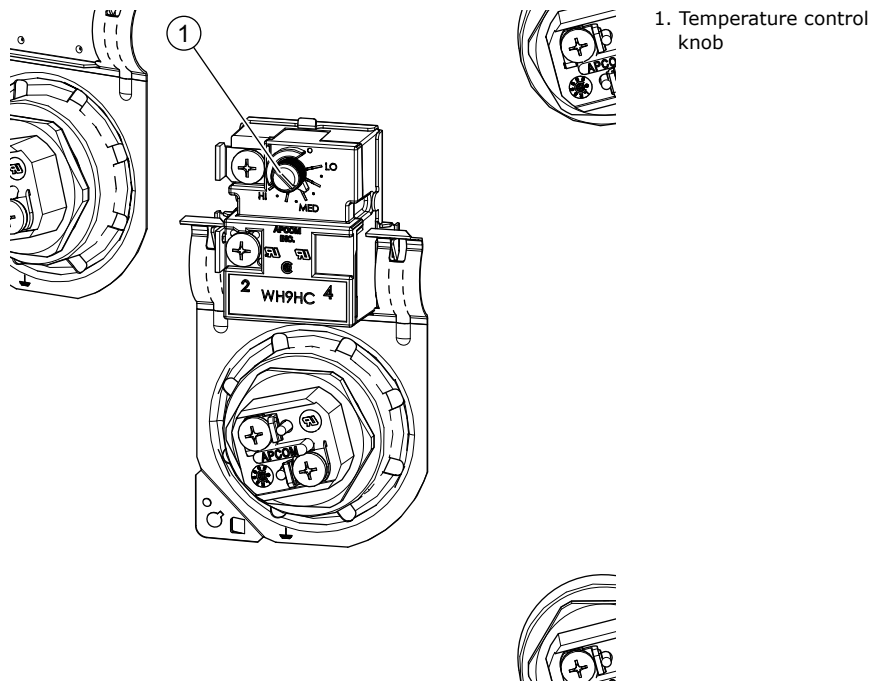
Each row of 3 electric heating elements has a control thermostat, placed above the center heating element, with a control knob.



### Warning

Only qualified service engineers are allowed to change the set temperature.

Fig. Control components



## 3.2

## Operating modes

The DRE has 2 operating modes:

- OFF mode (see 3.2.1)
- ON mode (see 3.2.2)

### 3.2.1

### OFF mode

In the **OFF mode** the water heater is de-activated. The water heater is disconnected from the mains power supply.

In the **OFF mode** the water heater is not protected against frost.

### 3.2.2

#### **ON mode**

In the **ON mode** the water heater continuously responds to the heat demand. The electric heating elements are activated when there is a heat demand.

EN

# 4

# Use

## 4.1

### Turn on the water heater



---

**Caution**

Make sure that the water heater is filled with water before you turn on the water heater.

---

Switch the isolator between the water heater and the mains power supply on to start the water heater.

### 4.1.1

#### Temperature setting



---

**Warning**

Only qualified service engineers are allowed to change the set temperature.

---

## 4.2

### Turn off the water heater

### 4.2.1

#### Turn off for a short period

To turn off the water heater for less than 2 months, set the water heater in the **OFF mode** (see 3.2.1).



---

**Note**

If the water heater stays in the **OFF mode** for more than 2 months and no water is drained, air bubbles may be formed in the water heater. This can lead to air in the water pipes.

---

### 4.2.2

#### Turn off for a long period

When the water heater needs to be turned off for more than 2 months, contact your service and maintenance engineer to decommission the water heater.



# **Installation, Maintenance and Service part**



# 5 Introduction

## 5.1 About the water heater

The DRE water heater is intended for heating water for sanitary purposes.

The DRE is an electric storage water heater. The electric heating elements transfer their heat directly to the water.

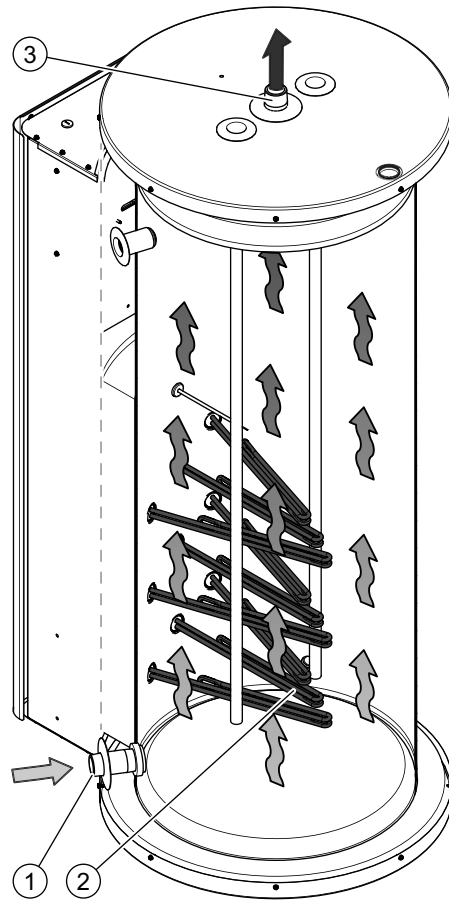
## 5.2 Working principle

Cold water enters the bottom of the tank through the water inlet (1). The heating elements (2) transfer their heat directly to the water and the hot water leaves the tank through the water outlet (3) at the top of the tank. The tank of the water heater has to be completely filled during operation. The tank at least must remain under mains water supply pressure at any time. Fresh cold water is immediately added when hot water is drawn from the water heater.

Depending on the model the water heater has 1, 2 or 3 rows of each 3 heating elements. Each row has one control thermostat placed above the center heating element. This thermostat measures the water temperature on the outside of the tank. When the water

temperature drops beneath the set temperature, the heating elements are activated and the water is heated.

Fig. DRE water heater



1. Water inlet
2. Heating elements
3. Water outlet



# 6

# Safety

## 6.1

## Safety instructions

For safety instructions on the use of the water heater, refer to [Safety](#) (see 2) in the User part of this manual.



---

**Warning**

Installation, maintenance and service must be carried out by a qualified engineer in compliance with the general and local regulations imposed by the water and power supply companies and the fire brigade.

**Warning**

The water heater may only be installed on a non-flammable floor or surface.

**Warning**

Isolate the heater from the mains before you start maintenance or repairs. Leave the water heater electrically isolated until you are ready to commission it.



---

**Caution**

The water heater may only be moved in an upright position. After unpacking, make sure that the water heater is not damaged.

**Caution**

Fill the water heater completely before use. Dry firing will damage the water heater.

**Caution**

The anode protection remains active when the water heater is in OFF mode.

**Caution**

Water may drip from the discharge pipe of the pressure-relief device. This pipe must be left open to the atmosphere.

**Caution**

Operate the pressure-relief device regularly to remove lime deposits and to verify that it is not blocked.

**Caution**

When installing the heater, you need an expansion valve. The expansion valve and associated fittings are not included in the package. The expansion valve must be suitable for a water pressure level of up to 800 kPa. Install the expansion vessel and expansion valve as close as possible to the water heater.



---

**Warning**

Never install a stop valve or a non-return valve between the expansion vessel/expansion valve and the water heater.

---




---

**Caution**  
The heater is intended to be connected to the water mains permanently. Do not use a hose set to connect the heater.

---



**Note**  
Any leakage from the tank and/or connections can cause damage to the immediate environment or floors below the level of the boiler room. Install the water heater above a waste water drain or in a suitable metal leak tray.  
The leak tray must have an appropriate waste water drain and must be at least 5 cm deep with a length and width of at least 5 cm larger than the water heater.

**Note**  
The water heater is supplied without a power cable and isolator.  
Use a power cable with wires of a suitable diameter based on the cable length and the current.

**Note**  
Select and install an overvoltage category III, all-pole isolator with a contact gap of at least 3 mm. The all-pole isolator must be incorporated in the fixed wiring in accordance with the wiring rules.

---

## 6.2



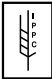

### Instructions on the water heater

The water heater has some safety instructions on its cover:

- The text "Read the installation instructions before you install the appliance".
- The text "Read the user instructions before putting the appliance into operation".
- The text "Live cables inside! Switch off the power supply completely (on local isolator) before opening the outer door to access the electrical components."
- The text "Check all electrical screw connections before commissioning and after service/maintenance."
- The text "A suitable temperature and pressure valve must be fitted in the designated connection."
- The text "A pressure relief valve must be fitted in the cold water supply."
- The text "Warranty is compelled to retract when the appliance is not maintained according to the maintenance instructions and when the water quality does not comply with the regulations as stated in the installation instructions."

Also the packaging has some safety instructions:

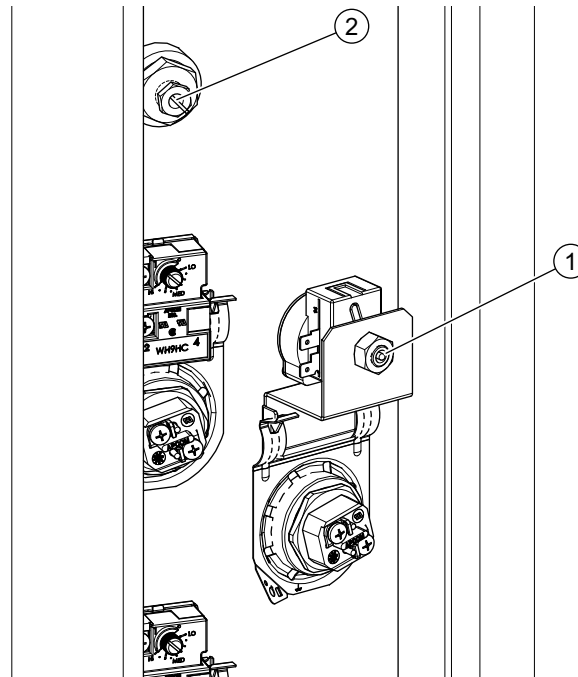
- The text "Read the installation instructions before installing the appliance".
- The text "Read the user instructions before putting the appliance into operation".
- Some safety pictograms:

	CE marked
	UKCA marked
	Packaging in compliance with ISPM 15
	Put the device into a municipal waste collection depot for electrical and electronic equipment

## 6.3

## Safety devices

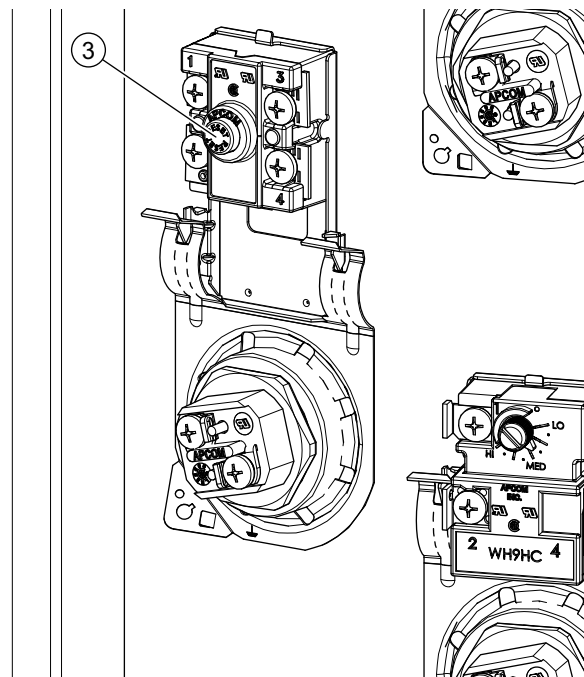
Fig. Main safety thermostat



1. Main Safety thermostat - body
2. Main Safety thermostat - probe

EN

Fig. Row safety thermostat



3. Row Safety thermostat

### Safety devices of the water heater:

<b>Main Safety thermostat (G1)</b>	The main safety thermostat (G1) breaks the control circuit when the water temperature is too high ( $>92^{\circ}\text{C} \pm 3^{\circ}\text{C}$ ). The main safety thermostat also protects the heating elements when the water heater is activated when it is not filled with water. The main safety thermostat (G1) probe is installed above the middle element of the highest row. You can use the white button on the thermostat body to manually reset the thermostat when the water temperature has dropped ( $<83^{\circ}\text{C}$ ). Make sure the water heater is completely filled with water before resetting the thermostat.
<b>Row Safety thermostat (G2)</b>	The row safety thermostat (G2) breaks the circuit (L1 and L2) of each row of elements when the temperature of the water becomes too high ( $>93^{\circ}\text{C} \pm 3^{\circ}\text{C}$ ) due to a failure in the control circuit. You can use the red button to manually reset the thermostat when water temperature has dropped ( $<83^{\circ}\text{C}$ ).
<b>Thermal fuse</b>	The thermal fuse is integrated in the wiring of the main safety thermostat (G1) and breaks the control circuit when it detects overheat of the element area. The thermal fuse cannot be reset. The complete wiring, with thermal fuse, must be replaced.

### Safety devices of the installation:

<b>Expansion vessel</b>	The expansion vessel temporarily stores expansion water to keep the pressure in the installation at the correct level.
<b>Expansion valve</b>	The expansion valve prevents excessive pressure in the tank of the water heater.
<b>Pressure-reducing valve</b>	The pressure-reducing valve reduces the water mains pressure, if necessary.
<b>Temperature and pressure relief valve (T&amp;P valve) (1)</b>	The T&P valve prevents excessive pressure and temperature in the tank.

1- All installations have a T&P valve connection. The use of a T&P valve is mandatory.

## 6.4 Environmental aspects

### 6.4.1 Recycling



The packaging material is environmentally friendly, recyclable and relatively easy to discard.

### 6.4.2 Disposal



Old end-of-life appliances contain materials that need to be recycled. When you discard devices at the end of their service life, you must obey local legislation related to waste disposal.

Never discard your old device together with regular waste. Put the device into a municipal waste collection depot for electrical and electronic equipment. If necessary, ask your supplier or your service and maintenance engineer for advice.



# 7

# Water heater

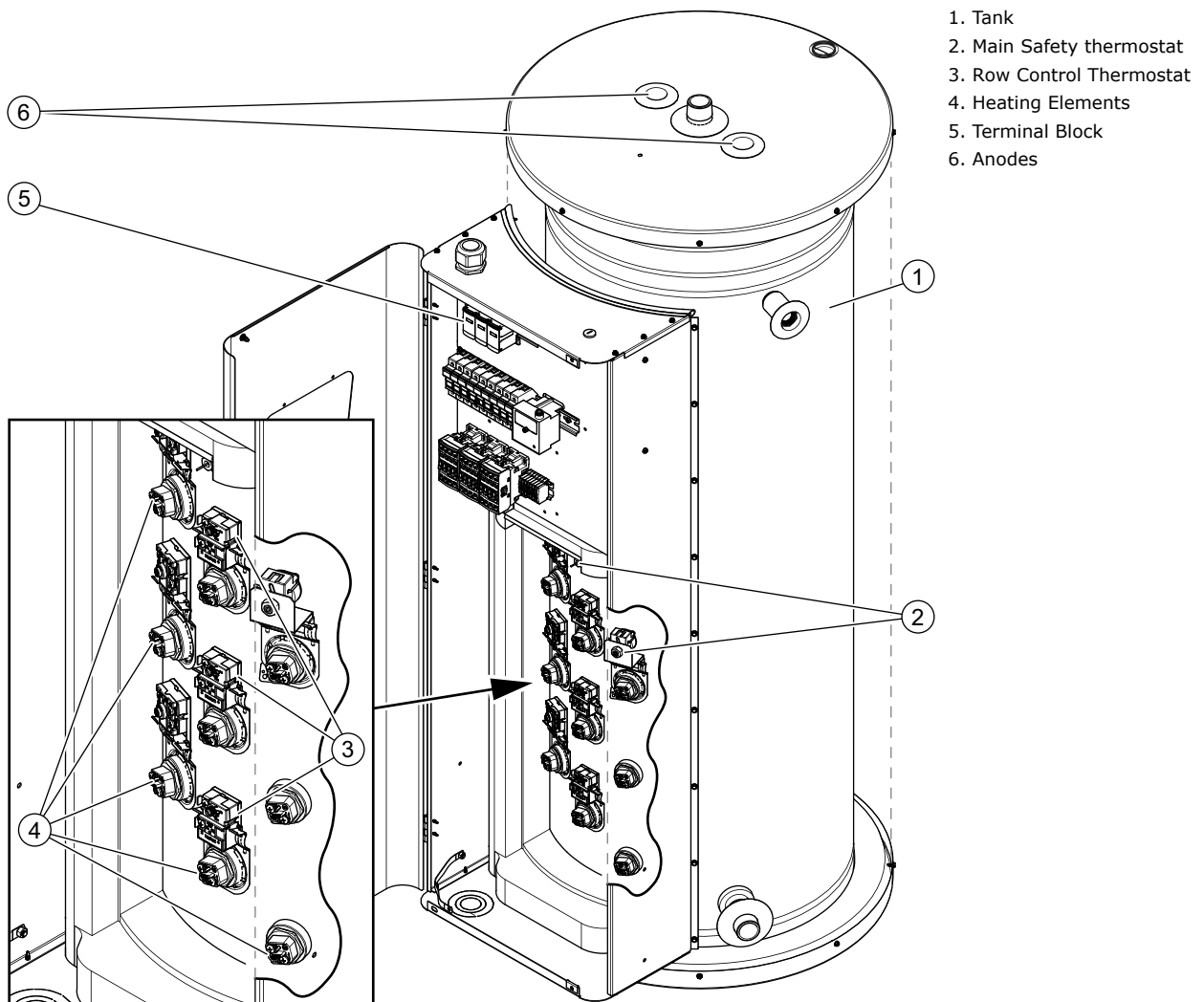
## 7.1

## Structure of the water heater

The water heater has the following main components:

- 
- |                 |  |
|-----------------|--|
| <b>Tank (1)</b> | The water is stored and heated up in the tank. |
|-----------------|--|
- 
- |                             |  |
|-----------------------------|--|
| <b>Heating elements (4)</b> | The water is heated by the heating elements. |
|-----------------------------|--|
- 

Fig. Components water heater







# 8

# Installation



---

**Warning**

The installation must be done by a qualified person, in compliance with general and local applicable regulations (on page 4).

---



---

**Caution**

The water heater may not be used in rooms where chemical substances are stored or used because of the risk of explosion and corrosion of the water heater. Some propellants, bleaching agents and degreasing agents etc. disperse of explosive vapors and/or cause accelerated corrosion. If the water heater is used in a room where such substances are stored or used, the warranty will be void.

---

For more safety instructions, refer to Safety instructions (see 6.1).

## 8.1

### Packaging

A.O. Smith recommends to unpack the water heater at or near its intended location. Remove the packaging material carefully to prevent damage to the water heater.

## 8.2

### Conditions



---

**Warning**

The water heater must be installed on a non-flammable floor and surface.

---

### 8.2.1

#### Ambient conditions

The installation site must be frost-free. If necessary, adjust the installation site to keep it frost-free.

Make sure that the ambient conditions are correct to prevent malfunction of the electronics in the water heater.

Air humidity and ambient temperature	
Air humidity	Max. 93% RH at + 25 °C
Ambient temperature	Functionality: 0 < T < 40 °C

### 8.2.2

#### Maximum floor load

Refer to the building construction engineer and the general specifications in the appendices to make sure that the maximum floor load is sufficient for the weight of the water heater.

### 8.2.3

### Water composition

The water must comply with the regulations for drinking water for human consumption.

Water composition	
Water hardness	> 1.00 mmol/l: - German hardness > 5.6° dH - French hardness > 10.0° fH - English hardness > 7.0° e - CaCO <sub>3</sub> > 100 ppm
Conductivity	> 125 µS/cm
Acidity (pH value)	7.0 - 9.5



#### Note

Water quality may adversely affect the efficiency, performance and lifetime of the water heater, refer to Warranty (on page 3). If water specifications differ from the specifications in the table a water treatment specialist should be consulted.

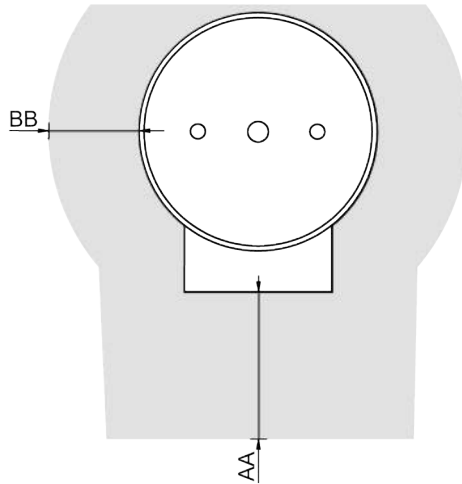
### 8.2.4

### Working clearances

Make sure that there is sufficient clearance to access the water heater:

- 100 cm in front of the water heater (AA).
- 50 cm at the left and right side of the water heater (BB).
- 100 cm at the top of the water heater.

Fig. Working clearances

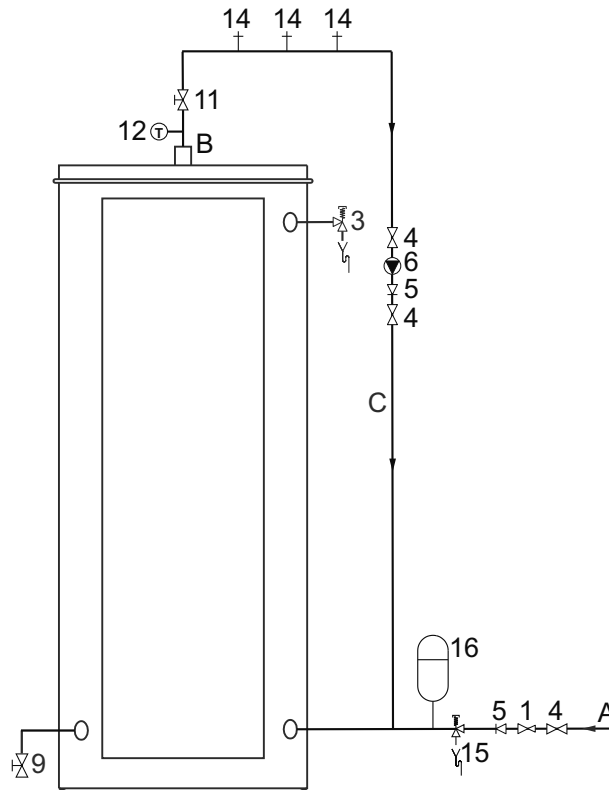


IMD-1449 R0

## 8.3

## Installation diagram

Fig. Installation diagram



1. Pressure reducing valve (mandatory if the mains water pressure is too high)
  3. T&P valve (mandatory)
  4. Stop valve (recommended)
  5. Non-return valve
  6. Circulation pump (optional)
  9. Drain valve
  11. Service stop valve
  12. Temperature gauge (optional)
  14. Draw-off point
  15. Expansion valve
  16. Expansion vessel
- A. Cold water supply  
B. Hot water outlet  
C. Circulation pipe



### Note

Use this installation diagram when you:

- install the [water connections](#) (see 8.4)
- [fill the water heater](#) (see 8.6.1)
- drain the water heater

## 8.4

## Water connections

### 8.4.1

### Cold water connection



#### Caution

When installing the heater, you need an expansion valve. The expansion valve and associated fittings are not included in the package. The expansion valve must be suitable for a water pressure level of up to 800 kPa. Install the expansion vessel and expansion valve as close as possible to the water heater.



#### Warning

Never install a stop valve or a non-return valve between the expansion vessel/expansion valve and the water heater.

#### Warning

The heater is intended to be connected to the water mains permanently. Do not use a hose set to connect the heater.

Install the cold water connection:

1. When the mains water supply pressure is too high, install a pressure relief valve (1), refer to the Technical details.
2. Install a non-return valve (5).
3. Install an expansion valve (15).
4. Connect the overflow connection of the expansion valve, to an open waste water pipe.
5. Install an expansion vessel (16).

### 8.4.2

#### Hot water connection

---



**Note**

Insulate long hot water pipes to prevent unnecessary energy loss.

**Note**

The use of a T&P valve is mandatory.

---

Install the hot water connection:

1. Install a stop valve (11) in the hot water outlet pipe for service reasons.
2. Install a T&P valve (3).
3. If applicable, install a temperature gauge (12).

### 8.4.3

#### Circulation connection

---

Install a circulation system when an immediate flow of hot water at draw-off points is required. This improves comfort and reduces water wastage.



**Note**

Connect the circulation pipe (C) to the cold water inlet connection.

**Note**

Make sure that the circulation pump has the correct capacity for the length and resistance of the circulation system.

---

Install a circulation pump:

1. Install a circulation pump (6).
2. Install a non-return valve (5) after the circulation pump to make sure that the direction of circulation is guaranteed.
3. Install a stop valve (4) before the circulation pump.
4. Install a stop valve (4) after the non-return valve.
5. Connect the circulation pipe (C) to the cold water inlet, between the water heater and the expansion vessel (16).

### 8.5

#### Electrical connections

---



**Warning**

Leave the water heater electrically isolated until you are ready to commission it.

---

## 8.5.1

### Preparation

Open the door of the water heater to make the electrical section and the terminal block visible.

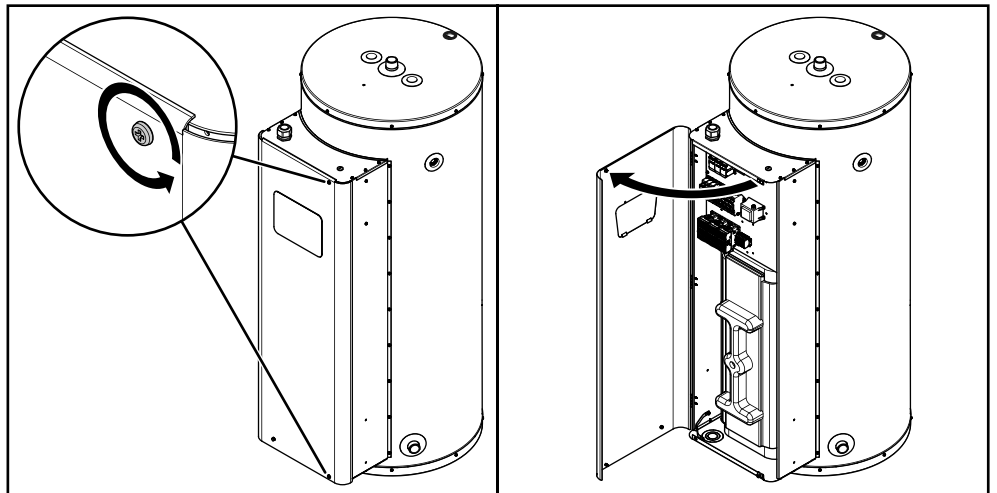


#### Warning

Live cables inside! Switch off the power supply completely (on local isolator) before opening the outer door to access the electrical components.

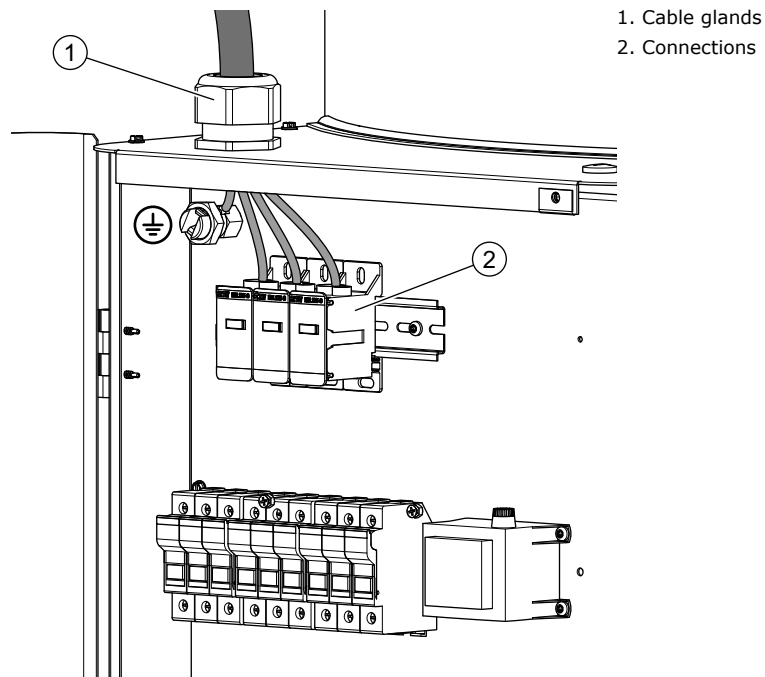
EN

Fig. Open the door



The mains power connections have to be connected to the terminal block, refer to Structure of the water heater (see 7.1).

Fig. Terminal block



## 8.5.2

### Mains power



---

**Note**

The water heater is supplied without a power cable and isolator. Use a power cable with wires of a suitable diameter based on the cable length and the current.

**Note**

Select and install an overvoltage category III, all-pole isolator with a contact gap of at least 3 mm. The all-pole isolator must be incorporated in the fixed wiring in accordance with the wiring rules.

**Note**

This isolator must be installed in the same room as the appliance, suitably marked and no more than 1 meter away from the water heater.

**Note**

The length of the mains earth core that is connected to the electrical connection must be longer than the core of the mains live (L1, L2 and L3).

---

Connect the water heater to the mains power supply:

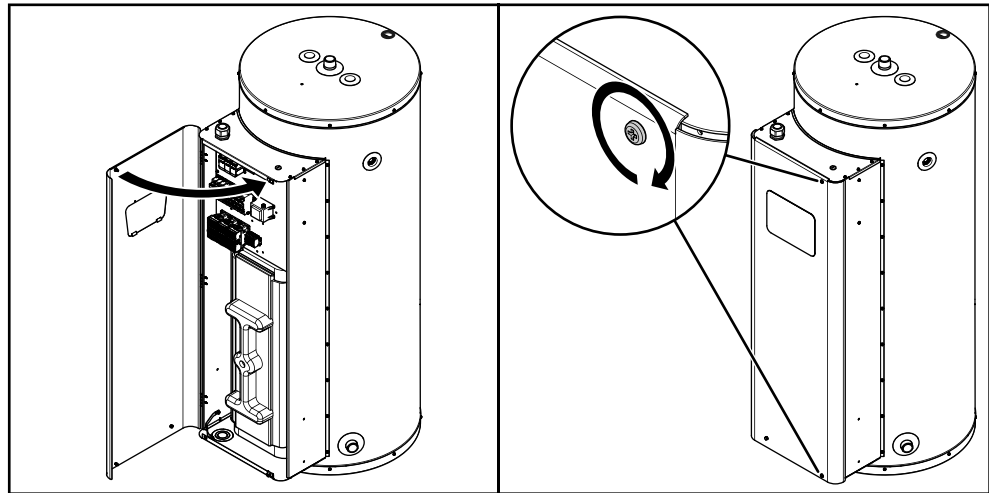
1. Pull the power cable through the cable gland.
2. Connect the live (L1, L2 and L3) and the earth (A) core of the power cable to the terminals of the terminal block.
3. Connect the power cable to the isolator.
4. Secure the power cable in the cable gland.

## 8.5.3

### Finalization

When all connections are made, close the door of the water heater.

*Fig. Install the cover*



## 8.6 Commissioning

To commission the water heater:

1. Fill the water heater (see 8.6.1)
2. Turn on the water heater

### 8.6.1 Filling

Refer to the installation diagram when you fill the water heater:

1. If applicable, open the stop valves (4) of the circulation pipe (C).
2. Make sure that the drain valve (9) is closed.
3. Open the nearest hot water draw-off point (14).
4. Open the stop valve (4) of the cold water supply pipe (A). Cold water flows into the water heater.
5. Fill the water heater until a full water jet flows from the nearest draw-off point. The water heater is completely full.
6. Open all draw-off points to bleed the entire installation of air.  
The water heater is now under water supply pressure.
7. Make sure that no water comes out of the expansion valve (15) or the T&P valve (3).  
If water comes out:
  - Examine if the water supply pressure is greater than the specified value in the Technical details. If necessary, install a pressure reducing valve (1).
  - Examine if the expansion valve in the protected cold supply set-up is installed correctly and is not defective. If necessary, replace the expansion valve.
8. Close all hot water draw-off points.

### 8.6.2 Turn on the water heater



---

**Warning**

Make sure that the water heater is isolated from the mains power supply before you open the door of the water heater to change the temperature setting.

---



---

**Caution**

Make sure that the water heater is filled with water before you turn on the water heater.

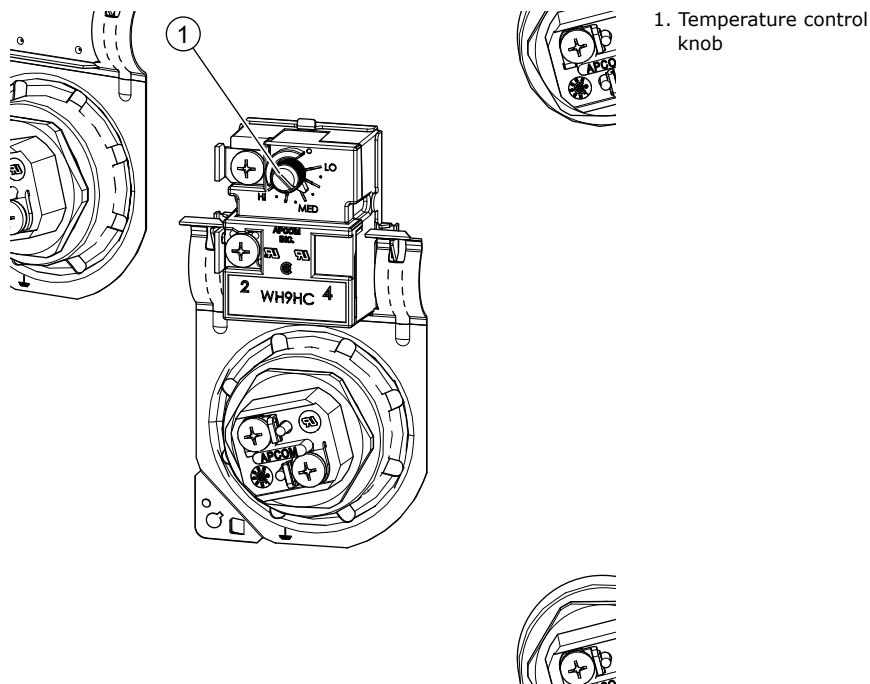
**Caution**

Preferably set the temperature control knobs to 60 °C. Harmful scaling and lime build-up will be higher when you set the knobs to 65 °C and higher. At lower temperature settings there is a higher risk of high legionella concentrations in the water.

**Caution**

Always check the water temperature at a draw-off point after you change the temperature setting.

---



To start the water heater:

1. Make sure that the water heater is not connected to the mains power supply.
2. Open the door of the water heater.



**Warning**

---

Live cables inside! Switch off the power supply completely (on local isolator) before opening the outer door to access the electrical components.

---

3. Remove the isolating material.
4. On each row of heating elements, turn the temperature control knob to the desired temperature setting.

Setting	Temperature
O	57 °C
LO	60 °C
MED	72 °C
HI	83 °C

5. Replace the isolating material.
6. Close the door of the water heater.
7. Connect the water heater to the mains power supply.

## 8.7

### Decommissioning

To decommission the water heater:

1. Turn off the water heater (see 8.7.1)
2. Drain the water heater

#### 8.7.1

#### Turn off the water heater

Refer to the procedure in the user part to Turn off the water heater (see 4.2) and isolate the water heater from the mains power supply.

#### 8.7.2

#### Draining

Refer to the installation diagram when you drain the water heater:

1. If applicable, close the service stop valve (11) in the hot water pipe.
2. If applicable, close the stop valves (4) of the circulation pipe (C).



3. Close the stop valve (4) in the cold water supply.
4. Open the drain valve (9).
5. Aerate the entire installation of air until the water heater is completely drained.
6. If the water heater needs to be drained completely, disconnect and tilt the water heater in the direction of the drain valve.



# 9

# Maintenance

The water heater needs maintenance at least once a year. The maintenance interval is determined by the water quality, the average operation hours each day and the set water temperature.

To determine the correct interval, A.O. Smith recommends to do a system check three months after installation.



---

**Note**

Do maintenance to maintain an effective and efficient transfer of heat to the water. This significantly increases the service life of the water heater.

**Note**

When needed, spare parts can be ordered. To be sure that you receive the correct spare parts, look at the data plate for the full serial number and the water heater model. Use this information when you order the spare parts.

---

Do the following maintenance activities:

- [Preparation](#) (see 9.1)
- [Water-side maintenance](#) (see 9.2)
- [Performance check](#) (see 9.3)
- [Finalization](#) (see 9.4)

## 9.1

### Preparation

Isolate the water heater from the mains before you start maintenance tasks.

## 9.2

### Water-side maintenance

To do water side maintenance:

- [Inspect the anode](#) (see 9.2.1)
- Descale the tank

### 9.2.1

#### Inspect the anode

The life cycle of the anode is determined by the quality and the quantity of the water that flows through the water heater. Inspect the anode at least once a year to make sure that the tank is protected against corrosion.

To inspect the anode:

1. Close the stop valve in the cold water supply.
2. Open the nearest hot water tap to reduce the water pressure in the water heater.
3. Use a wrench to loosen the anode.
4. Take the anode out of the water heater.

5. Inspect the volume of the anode. When the anode is consumed for 60 % or more, replace the anode.



**Note**

If the anode needs to be replaced, always use an anode of the same type. Please refer to the type and the serial number on the data plate.

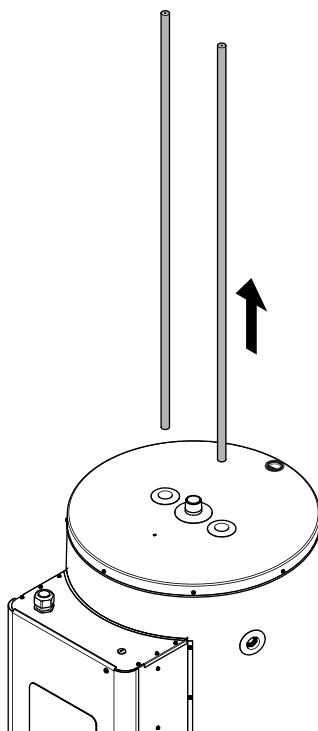
6. Place the anode in the water heater.
7. Use a wrench to fasten the anode. Make sure that the connection is watertight.



**Note**

Never install an anode isolated from the metal tank.

*Fig. Inspect the anode*



### 9.2.2

### Descale the tank



**Note**

Hard water may cause the formation of limescale, which will reduce the operating efficiency and may cause early product failure. Failure of the water heater due to limescale or other deposits would not be classed as manufacturing defect and as such would not be covered under the terms of the warranty (on page 3).

**Note**

Before reassembly replace the gaskets. You must order these gaskets at your supplier. Look at the data plate for the correct ordering information.

To descale and clean the tank:

1. Decommission the water heater (see 8.7).
2. Open the door of the water heater.



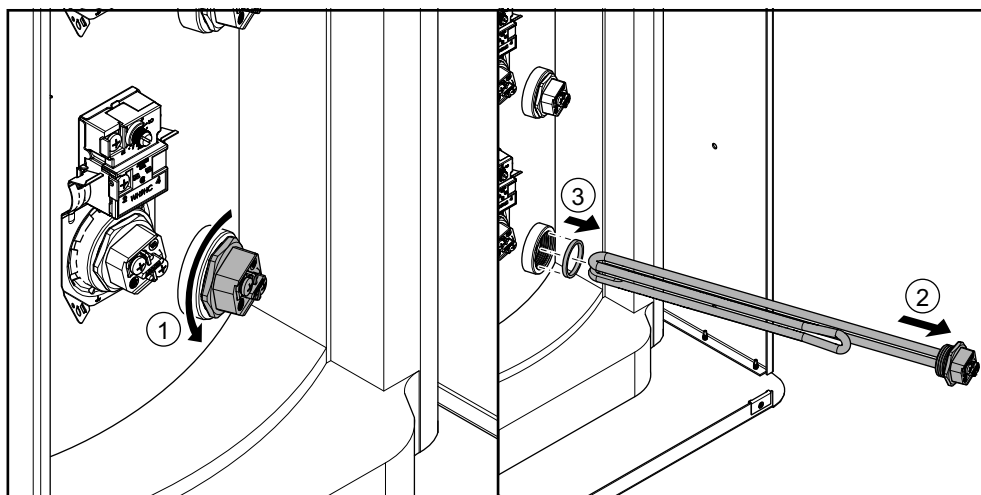
**Warning**

Live cables inside! Switch off the power supply completely (on local isolator) before opening the outer door to access the electrical components.

3. Remove the isolating material.

4. Remove the lowest heating element:
  - a) Loosen electrical wires earth (A) and live (L) on the element.
  - b) Loosen the heating element.
  - c) Take the heating element out of the water heater.  
Carefully store the heating element.
5. Inspect the tank on limescale through the opening.
6. When there is lime scale:
  - a) Remove the following heating elements.  
Start at the lowest heating element.
  - b) Use a descaling agent to remove the scale and contamination. Contact the supplier of your water heater for advice on what descaling agent to use.
7. Clean the heating elements.
8. Replace the gasket.
9. Measure the resistance value between the two connections of each heating element.  
The value needs to be approximately 19 +/- 4 Ohm for 3 kW elements and 10 +/- 2 Ohm for 6 kW elements.
10. Install all heating elements:
  - a) Place the element in the tank.
  - b) Tighten the heating element.
  - c) Attach the electrical wires earth (A) and live (L) on the element.
11. Install the isolating material.
12. Close the door.
13. Fill the water heater (see 8.6.1).

Fig. Remove a heating element



## 9.3

### Performance check

Make sure that the resistance value of each element is correct:

1. Open the door of the water heater.



#### Warning

Live cables inside! Switch off the power supply completely (on local isolator) before opening the outer door to access the electrical components.

2. Remove the isolating material.
3. Measure the resistance value between the two connections of each heating element.  
The value needs to be approximately 19 +/- 4 Ohm for 3 kW elements and 10 +/- 2 Ohm for 6 kW elements.

4. Replace the heating element when the resistance value is not correct.
  - a) Decommission the water heater (see 8.7).
  - b) Loosen electrical wires earth (A) and live (L) on the element.
  - c) Loosen the heating element.
  - d) Take the heating element out of the water heater.
  - e) Place a new element in the tank.
  - f) Tighten the heating element.
  - g) Attach the electrical wires earth (A) and live (L) on the element.
5. Make sure that all wiring is installed correctly.
6. Make sure that all electrical screw connections are tightened.
7. Install the isolating material.
8. Close the door.
9. If necessary, fill the water heater (see 8.6.1).

## 9.4

### Finalization

When all maintenance activities are done:

1. If necessary, fill the water heater (see 8.6.1).
2. Turn on the water heater (see 4.1).
3. Check if the performance of all components is correct:
  - a) Make sure that the water heater operates the operating cycle correctly.
  - b) If applicable, make sure that the T&P valve operates correctly.  
Open the T&P valve pressure relief and make sure that water spurts out.



---

**Warning**

Hot water can come out of the T&P valve.

---

- c) Make sure the pressure relief connection of the expansion valve operates correctly.  
Open this pressure relief and make sure that water spurts out.

# 10

# Troubleshooting

## 10.1

## General errors



**Note**

For the coding of the connections, refer to the Electrical wiring diagram.

Indication	Cause	Measure
<b>Water leakage</b>	There is a leakage from a threaded water connection.	Tighten the threaded connection.
	There is a leakage from another nearby water heater or pipe segment.	Trace the leakage.
	There is a leakage from the water heater tank.	Contact the supplier of your water heater.
<b>Insufficient or no hot water</b>	The water heater is off.	Turn on the water heater (see 4.1).
	The temperature is set too low.	Set the regulating thermostats higher.
	There is no supply voltage.	Make sure that: <ul style="list-style-type: none"><li>- the isolator is in <b>ON</b> position.</li><li>- there is power on the isolator.</li><li>- there is power to the electrical connector block.</li></ul> The measured voltage must be 400 V <sub>AC</sub> (-15%, +10%).
	The hot water supply is used up.	Reduce the hot water consumption. Wait until the water heater heats up.
<b>Earth leakage circuit breaker is out</b>	A safety device is activated.	<ul style="list-style-type: none"><li>- Make sure that the voltage between the connections of the heating elements is 230V<sub>AC</sub> (-15%, +10%).</li><li>- Refer to indication "A safety device is activated", next page.</li></ul>
	There is not enough water in the tank.	<ul style="list-style-type: none"><li>- Make sure that the water heater is filled with water.</li></ul>
	One of the heating elements is defective.	<ul style="list-style-type: none"><li>- Measure the resistance value between each heating element connection and the outside of the tank. The value must be infinite.</li><li>- Determine which element is defective.</li></ul>

Indication	Cause	Measure
<p><b>A safety device is activated</b></p>	<p>The main safety thermostat (G1) is activated</p>	<ul style="list-style-type: none"> <li>- Make sure the water heater is completely filled.</li> <li>- Tap off water, so the temperature drops in the water heater.</li> <li>- Make sure all connections are connected correctly (refer to the <u>wiring diagram</u> (see A.5)).</li> <li>- Use the white button to manually reset the thermostat.</li> <li>- If necessary, replace the safety thermostat (G1).</li> </ul>
	<p>The row safety thermostat (G2) is activated.</p>	<ul style="list-style-type: none"> <li>- Tap off water, so the temperature drops in the water heater.</li> <li>- Make sure all connections are connected properly (refer to the <u>wiring diagram</u> (see A.5)).</li> <li>- Use the red button to manually reset the thermostat.</li> <li>- If necessary, replace the safety thermostat (G2).</li> </ul>
	<p>The thermal fuse broke the control circuit.</p>	<ul style="list-style-type: none"> <li>- Check what caused the excessive heat rise of the element area.</li> <li>- Measure the resistance value over the thermal fuse. The value needs to be &lt;5 Ohm.</li> <li>- If necessary, replace the thermal fuse wiring.</li> </ul>



To register your water heater, you can complete and return the enclosed warranty card. You can also register your water heater on-line through the A.O. Smith website.

## Article 1: General warranty

If, after verification and at the sole discretion of A.O. Smith, a component or part (with exclusion of the glass lined steel tank) of a water heater supplied by A.O. Smith proves within one year of the original installation date to be defective or fails to function correctly due to manufacturing and/or material defects, then A.O. Smith shall repair or replace this component or part.

## Article 2: Tank warranty

If, after inspection and at the sole discretion of A.O. Smith, the glass-lined steel tank of a water heater supplied by A.O. Smith proves within three years of the original installation date to be leaking due to rust or corrosion occurring on the water side, then A.O. Smith shall offer to replace the defective water heater with an entirely new water heater of equivalent size and quality. The warranty period given on the replacement water heater shall be equal to the remaining warranty period of the original water heater that was supplied. Notwithstanding that stated earlier in this article, in the event that unfiltered or softened water is used, or allowed to stand in the water heater, the warranty shall be reduced to one year from the original installation date.

## Article 3: Conditions for Installation and Use

The warranty set out in Articles 1 and 2 will apply solely under the following conditions:

- The water heater is installed under strict adherence to A.O. Smith installation instructions for the specific model, and the relevant government and local authority installation and building codes, rules and regulations in force at the time of installation.
- The water heater remains installed at the original site of installation.
- The water heater is used exclusively with drinking water, which at all times can freely circulate (a separately installed heat exchanger is mandatory for heating saline water or corrosive water).
- The tank is safeguarded against harmful scaling and lime build-up by means of periodic maintenance.
- The water temperatures in the heater do not exceed the maximum setting of the thermostats, which form a part of the water heater.
- The water pressure and/or heat load do not exceed the maximum values stated on the water heater rating plate.
- The water heater is installed in a non-corrosive atmosphere or environment.
- The water heater is connected to a protected cold water supply arrangement, which is approved by the relevant authority; with sufficient capacity for this purpose; supplying a water pressure not greater than the working pressure stated on the water heater; and where applicable by a likewise approved temperature and pressure relief valve; fitted in accordance with installation instructions of A.O. Smith applying to the specific model of water heater, and further in compliance with the government and local authority installation and building codes, rules and regulations.
- The water heater is at all times fitted with cathodic protection. If sacrificial anodes are used for this, these must be replaced and renewed when, and as soon as, they are 60% or more consumed. When power anodes are used, it is important to ensure that they continue to work properly.

#### **Article 4: Exclusions**

The warranty set out in Articles 1 and 2 will not apply in the event of:

- damage to the water heater caused by an external factor;
- misuse, neglect (including frost damage), modification, incorrect and/or unauthorised use of the water heater and any attempt to repair leaks;
- contaminants or other substances having been allowed to enter the tank;
- the conductivity of the water being less than 125  $\mu\text{S}/\text{cm}$  and/or the hardness (alkaline earth ions) of the water being less than 1.00 mmol/litre (see 8.2.3);
- unfiltered, recirculated water flowing through or being stored in the water heater;
- any attempts at repair to a defective water heater other than by an approved service engineer.

#### **Article 5: Scope of the warranty**

The obligations of A.O. Smith by virtue of the warranty provided do not extend beyond delivery free of charge from the warehouse of the parts or components or water heater to be replaced; transport, labour, installation and other costs associated with the replacement shall not be borne by A.O. Smith.

#### **Article 6: Claims**

A claim on grounds of the specified warranty must be submitted to the dealer from whom the water heater was purchased, or to another authorised dealer for A.O. Smith Water Products Company products. Inspection of the water heater as referred to in Articles 1 and 2 shall take place in one of the laboratories of A.O. Smith Water Products Company.

#### **Article 7: Obligations of A.O. Smith**

A.O. Smith grants no other warranty or guarantee over its water heaters nor the (assemblies or parts of) water heaters supplied for replacement, other than the warranty expressly set out in these Articles.

Under the terms of the supplied warranty, A.O. Smith is not liable for damage to persons or property caused by (assemblies or parts, or the glass-lined steel tank of) a (replacement) water heater that it has supplied.

# Index

## A

- About the water heater..... 25
- About this manual..... 7
- Ambient conditions ..... 35

## C

- Circulation connection ..... 38
- Cold water connection..... 37
- Commissioning..... 41
- Compliance..... 4
- Conditions..... 35
- Contact information ..... 5
- Control components ..... 19
- Copyright..... 3

## D

- Decommissioning..... 42
- Descale the tank ..... 46
- Disposal..... 31
- Document identification ..... 8
- Draining ..... 42

## E

- Electrical connections..... 38
- Environmental aspects..... 31

## F

- Filling ..... 41
- Finalization..... 40, 48

## G

- General errors..... 49

## H

- Hot water connection..... 38

## I

- Inspect the anode..... 45
- Installation..... 35

- Installation diagram..... 37
- Installation, Maintenance and Service part..... 23
- Instructions on the water heater..... 28
- Introduction..... 15, 25

## L

- Liability ..... 3

## M

- Mains power..... 40
- Maintenance..... 45
- Maximum floor load..... 35

## N

- Notation conventions ..... 7

## O

- OFF mode..... 19
- ON mode..... 20
- Operating modes..... 19
- Operation..... 19

## P

- Packaging..... 35
- Performance check..... 47
- Preface..... 3
- Preparation..... 45

## R

- Recycling..... 31
- Regulations ..... 4

## S

- Safety..... 17, 27
- Safety devices..... 29
- Safety instructions..... 27
- Scope ..... 7
- Structure of the water heater..... 33

---

**T**

Target group .....7  
Temperature setting.....21  
Trademark.....3  
Trademarks..... 3  
Troubleshooting.....49  
Turn off for a long period ..... 21  
Turn off for a short period .....21  
Turn off the water heater..... 21, 42  
Turn on the water heater..... 41

---

**U**

Use..... 21  
User part.....13

---

**W**

Warranty.....51  
Water composition.....36  
Water connections..... 37  
Water heater ..... 33  
Water-side maintenance.....45  
Working clearances .....36  
Working principle .....25

# Voorwoord

## Copyright

Copyright © 2021 A.O. Smith Water Products Company

Alle rechten voorbehouden.

Niets uit deze uitgave mag gekopieerd, verveelvoudigd en/of openbaar worden gemaakt door middel van afdrucken, kopiëren of op welke ander wijze dan ook zonder de voorafgaande schriftelijke toestemming van A.O. Smith Water Products Company.

A.O. Smith Water Products Company behoudt zich het recht voor om specificaties in deze handleiding te wijzigen.

## Handelsmerken

Merknamen die in deze handleiding worden vermeld, zijn geregistreerde handelsmerken van de respectieve eigenaren.

## Garantie

Raadpleeg de bijlage [Garantie](#) (zie 11) voor informatie over de garantievoorwaarden.

## Aansprakelijkheid

### Gebruiker

A.O. Smith is niet aansprakelijk voor het onjuiste gebruik van de boiler. De gebruiker moet:

- deze handleiding zorgvuldig lezen en de instructies opvolgen;
- de installateur vragen om advies voor het gebruik van de boiler;
- ervoor zorgen dat service en onderhoud worden uitgevoerd door een gekwalificeerde monteur.
- Bewaar de handleiding in goede staat bij de boiler.

### Installateur

A.O. Smith is niet aansprakelijk voor het onjuiste gebruik van de boiler. De installateur moet:

- deze handleiding zorgvuldig lezen en de instructies opvolgen;
- ervoor zorgen dat de volledige installatie van de boiler voldoet aan de geldende [voorschriften](#) (op pagina 5);
- de boiler testen voordat de installatie in gebruik wordt genomen;
- het juiste gebruik uitleggen aan de gebruiker;
- de gebruiker op de hoogte brengen wanneer service- en onderhoudsactiviteiten moeten worden uitgevoerd;
- alle relevante handleidingen overdragen aan de gebruiker.

## Leverancier

De DRE-boiler is ontworpen in overeenstemming met de geldende voorschriften. De boiler wordt geleverd met conformiteits-markering en alle noodzakelijke documentatie voor het voldoen aan deze voorschriften. Zie het gedeelte Conformiteit.

A.O. Smith aanvaardt geen aansprakelijkheid voor claims van derde partijen wanneer:

- de instructies voor het op de juiste manier installeren van de boiler niet worden nageleefd;
- de instructies voor het op de juiste manier gebruiken van de boiler niet worden nageleefd;
- de boiler niet is onderhouden na het toepasselijke onderhoudsinterval.

Raadpleeg de Algemene verkoopvoorwaarden voor meer informatie. Deze zijn gratis op verzoek verkrijgbaar.

Wij geloven dat deze handleiding u accurate en volledige beschrijvingen biedt van alle relevante onderdelen. Neem contact op met A.O. Smith wanneer u toch fouten of onjuistheden in deze handleiding aantreft. Op deze manier kunnen wij onze documentatie verbeteren.

## Conformiteit

Om op een veilige manier warm water voor huishoudelijk gebruik te produceren, zijn het ontwerp en de constructie van de DRE-boilers in overeenstemming met:

- de Europese Laagspanningsrichtlijn 2014/35/EU (LVD)
- de Europese EMC-richtlijn 2014/30/EU (Elektromagnetische compatibiliteit )
- de Europese RoHS II-richtlijn 2011/65/EU en RoHS III- richtlijn 2015/863/EU
- de Europese Ecodesign-richtlijn 2009/125/EC (ErP)

Raadpleeg de bijlage Conformiteitsverklaring.

## Voorschriften

Als installateur, onderhoudsmonteur of gebruiker dient u er zeker van te zijn dat de gehele boilerinstallatie voldoet aan de plaatselijke:

- bouwvoorschriften
- richtlijnen voor bestaande elektrische installaties, geleverd door uw energieleverancier
- richtlijnen voor (elektrische) installaties en betreffende richtlijnen voor het gebruik ervan
- richtlijnen voor drinkwater
- richtlijnen voor de afvoer van afvalwater in gebouwen
- richtlijnen van de brandweer, de energieleveranciers en de gemeente

De installatie moet voldoen aan de installatievoorschriften van de fabrikant.



---

### Opmerking

Alle voorschriften, vereisten en richtlijnen kunnen zijn aangevuld en/of gewijzigd op het moment van installatie.

---

## Contactinformatie

Wanneer u opmerkingen of vragen heeft, kunt u contact opnemen met:

A.O. Smith Water Products Company

Adres:	PO Box 70 5500 AB Veldhoven The Netherlands
Telefoon NL:	0800 - AOSMITH (gratis) 0800 - 267 64 84
Telefoon BE:	008008 - AOSMITH 008008 - 267 64 84
Algemeen:	+31 (0) 40 294 25 00
E-mail:	info@aosmith.com
Website NL:	www.aosmith.nl
Website BE:	www.aosmith.be

Neem contact op met uw leverancier wanneer er problemen zijn met uw elektriciteits- of watertoevoeraansluitingen.





# Informatie over deze handleiding

## Inhoud

Deze handleiding geeft informatie over een veilig en juist gebruik van de boiler en hoe deze op een goede manier moet worden geïnstalleerd en onderhouden. De instructies in deze handleiding dienen te worden nageleefd.



---

### Let op

Lees deze handleiding eerst zorgvuldig door voordat u de boiler start. Wanneer u de handleiding niet leest en/of de instructies niet naleeft, kan dit persoonlijk letsel en beschadiging van de boiler veroorzaken.

---

In deze handleiding:

- worden de werking en de indeling van de boiler beschreven
- worden de veiligheidsvoorzieningen uitgelegd
- worden mogelijke gevaren benadrukt
- wordt het gebruik van de boiler beschreven
- wordt de installatie en het onderhoud van de boiler beschreven

Deze handleiding bestaat uit twee gedeeltes:

- Een gedeelte voor de gebruiker waarin het juiste gebruik van de boiler wordt beschreven.
- Een gedeelte over de installatie en het onderhouden van de boiler waarin de juiste procedures hiervoor worden beschreven.

## Doelgroep

De informatie in deze handleiding is van toepassing op drie doelgroepen:

- gebruikers
- installatiemonteurs
- onderhoudsmonteurs

Het gedeelte voor de gebruiker is bedoeld voor de (eind)gebruikers. Het gedeelte over de installatie en het onderhouden van de boiler is bedoeld voor de installatie- en onderhoudsmonteurs.

## Notatieconventies

In deze handleiding worden de volgende conventies voor tekst gebruikt:

- Cijfers tussen haakjes, bijvoorbeeld (1), verwijzen naar onderdelen in een afbeelding die in de tekst worden beschreven.
- Kruisverwijzingen naar paragrafen, tabellen, afbeeldingen enzovoort worden onderstreept en geschreven als (zie "..."). In de digitale versie werken de kruisverwijzingen als hyperlinks die u kunt gebruiken om door de handleiding te bladeren wanneer u erop klikt. Voorbeeld: [Veiligheid](#) (zie 2).

Deze handleiding bevat de volgende tekststijlen/symbolen om situaties aan te geven die gevaarlijk kunnen zijn voor gebruikers/monteurs, schade aan apparatuur kunnen veroorzaken of wanneer extra moet worden opgelet:



---

**Opmerking**

Een opmerking geeft meer informatie over een onderwerp.

---



---

**Let op**

Neem de let op instructies in acht om beschadiging van de boiler te voorkomen.

---



---

**Waarschuwing**

Neem de waarschuwing in acht om persoonlijk letsel en ernstige beschadiging van de boiler te voorkomen.

---

## Documentaanduiding

Artikelnummer	Taal	Versie
0313851	NL	1.1

# Inhoudsopgave

<b>Voorwoord.....</b>	<b>3</b>
Copyright.....	3
Handelsmerken.....	3
Garantie.....	3
Aansprakelijkheid.....	3
Conformiteit.....	5
Voorschriften.....	5
Contactinformatie.....	5
<b>Informatie over deze handleiding.....</b>	<b>7</b>
Inhoud.....	7
Doelgroep.....	7
Notatieconventies.....	7
Documentaanduiding.....	8
<b>Gedeelte voor de gebruiker.....</b>	<b>13</b>
<b>1 Inleiding.....</b>	<b>15</b>
<b>2 Veiligheid.....</b>	<b>17</b>
<b>3 Werking.....</b>	<b>19</b>
3.1 Besturingscomponenten.....	19
3.2 Bedrijfsmodi.....	19
3.2.1 OFF-modus.....	19
3.2.2 ON-modus.....	20
<b>4 Gebruik.....</b>	<b>21</b>
4.1 De boiler inschakelen.....	21
4.1.1 Temperatuurregeling.....	21
4.2 De boiler uitschakelen.....	21
4.2.1 De boiler kortstondig uitschakelen.....	21
4.2.2 De boiler voor een lange periode uitschakelen.....	21

**Gedeelte over de installatie en het onderhoud..... 23**

**5 Inleiding.....25**

5.1 Informatie over de boiler..... 25

5.2 Werkingsprincipe..... 25

**6 Veiligheid..... 27**

6.1 Veiligheidsinstructies.....27

6.2 Instructies op de boiler.....28

6.3 Veiligheidsvoorzieningen.....29

6.4 Milieu-aspecten..... 31

6.4.1 Recyclen.....31

6.4.2 Afvoeren..... 31

**7 Boiler..... 33**

7.1 Opbouw van de boiler..... 33

**8 Installatie.....35**

8.1 Verpakking..... 35

8.2 Omgeving.....35

8.2.1 Omgevingsomstandigheden..... 35

8.2.2 Maximale vloerbelasting..... 35

8.2.3 Watersamenstelling..... 36

8.2.4 Ruimte voor werkzaamheden..... 36

8.3 Aansluitschema..... 37

8.4 Wataansluitingen..... 37

8.4.1 Koudwataansluiting..... 37

8.4.2 Warmwataansluiting..... 38

8.4.3 Circulatie-aansluiting..... 38

8.5 Elektrische aansluitingen..... 38

8.5.1 Voorbereiding.....39

8.5.2 Netvoeding..... 40

8.5.3 Afronden..... 40

8.6 Inbedrijfstelling..... 41

8.6.1 Vullen..... 41

8.6.2 Schakel de boiler in..... 41

8.7 Buitengebruikstelling.....42

8.7.1 De boiler uitschakelen..... 42

8.7.2 Aftappen..... 42

**9 Onderhoud..... 45**

9.1 Voorbereiding.....45

9.2	Waterzijdig onderhoud.....	45
9.2.1	Inspecteer de anode.....	45
9.2.2	De tank ontkalken.....	46
9.3	Prestatie controleren.....	47
9.4	Afronden.....	48
<b>10</b>	<b>Storingen.....</b>	<b>49</b>
10.1	Algemene storingen.....	49
<b>11</b>	<b>Garantie.....</b>	<b>51</b>
	<b>Index.....</b>	<b>53</b>



# **Gedeelte voor de gebruiker**





# 1

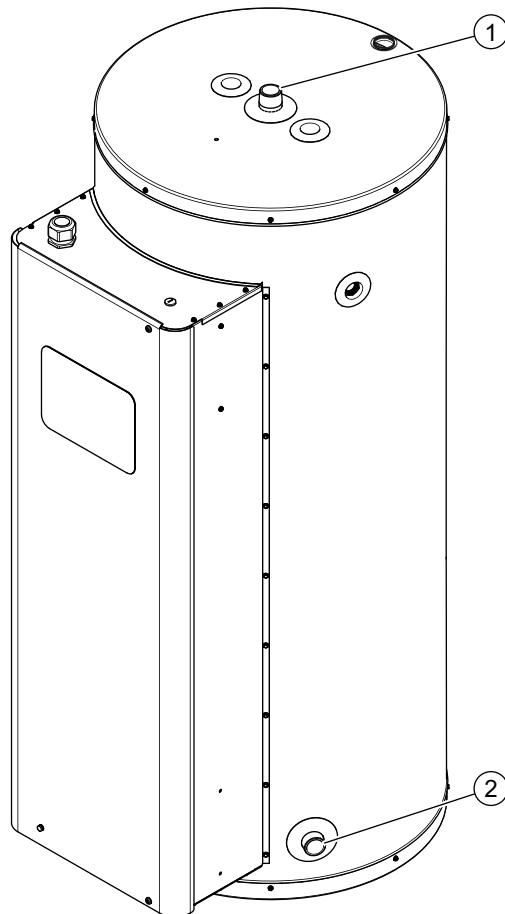
## Inleiding

De DRE-boiler slaat water op en verwarmt water voor sanitaire doeleinden.

Koud water stroomt via de waterinlaat (2) de tank binnen. Het verwarmde water verlaat de tank aan de bovenzijde via de warmwateruitlaat (1). Wanneer heet water wordt gebruikt, wordt de tank van de boiler gevuld met dezelfde hoeveelheid koud water.

De boiler wordt bediend met de bedieningsthermostaat op elke rij met verwarmingselementen.

Afb. DRE-boiler



- 1. Wateruitlaat
- 2. Waterinlaat



A.O. Smith kan niet aansprakelijk worden gesteld voor schade of letsel veroorzaakt door:

- Het niet opvolgen van de instructies in deze handleiding.
- Onzorgvuldig handelen tijdens het gebruik of het onderhouden van de boiler.

Iedere gebruiker moet het gedeelte voor de gebruiker in deze handleiding bestuderen en de instructies die in dit gedeelte van de handleiding worden gegeven strikt naleven. De volgorde van de beschreven handelingen mag niet worden gewijzigd. Deze handleiding moet te allen tijde beschikbaar zijn voor de gebruiker en de onderhoudsmonteur.



---

### Waarschuwing

Als u een brandlucht waarneemt:

- Schakel de hoofdvoeding uit.
- Schakel de gastoevoer uit.
- Waarschuw de hulpdiensten



---

### Let op

Sla geen chemische stoffen op en gebruik deze niet in de ruimte waar de boiler is geïnstalleerd om dat deze stoffen een explosie en roesten van de boiler kunnen veroorzaken. Sommige drijfgassen, bleekmiddelen en ontvettingsmiddelen enzovoort kunnen explosieve dampen afgeven en/of de boiler sneller doen roesten. Wanneer de boiler wordt gebruikt in een ruimte waar dergelijke substanties zijn opgeslagen of worden gebruikt, vervalt de garantie.

### Let op

De installatie en het onderhoud mogen alleen worden uitgevoerd door een gekwalificeerde monteur.

### Let op

De boiler mag niet worden gebruikt door personen met verminderde fysieke, zintuiglijke of mentale vermogens, of door personen die niet over de benodigde ervaring of kennis beschikken. Wanneer de persoon die verantwoordelijk is voor de veiligheid van deze personen toezicht houdt of heeft uitgelegd hoe de boiler moet worden gebruikt, mogen deze personen de boiler gebruiken.

### Let op

Deze boiler mag niet worden gebruikt door kinderen jonger dan 16 jaar. Houd altijd toezicht op kinderen en zorg ervoor dat deze niet met de boiler kunnen spelen.



---

### Opmerking

Regelmatig onderhoud verlengt de levensduur van de boiler. Om het juiste onderhoudsinterval te bepalen, moet de onderhoudsmonteur drie maanden na de installatie van de boiler deze controleren. Op basis van deze controle kan het beste onderhoudsinterval worden bepaald.

---



# 3

# Werking

## 3.1

## Besturingscomponenten

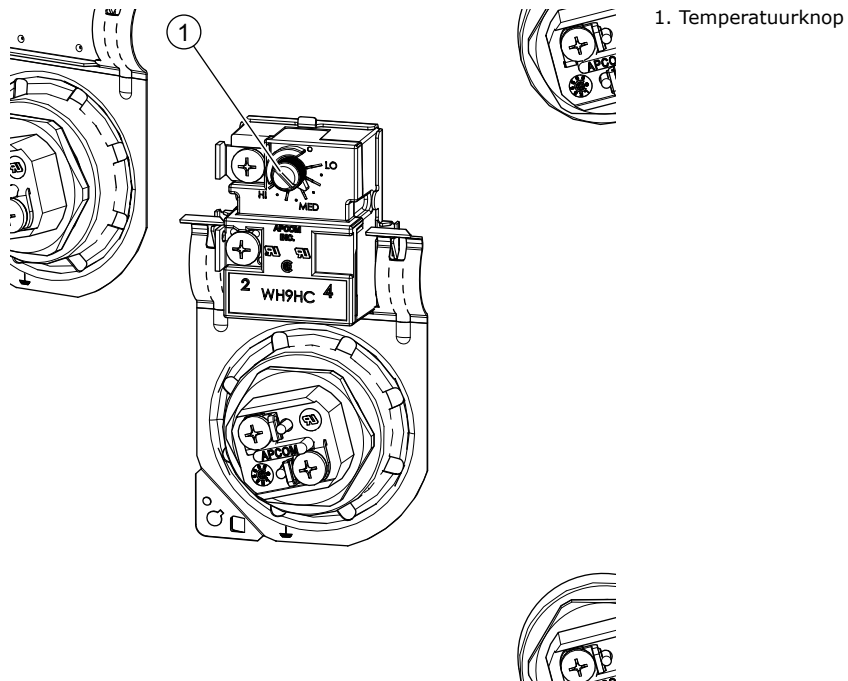
Elke rij van drie elektrische verwarmingselementen is voorzien van een regelthermostaat met regelknop. Deze vindt u boven het middelste verwarmingselement.



### Waarschuwing

De ingestelde temperatuur mag alleen door gekwalificeerde onderhoudsmonteurs worden gewijzigd.

Afb. Besturingscomponenten



## 3.2

## Bedrijfsmodi

De DRE beschikt over 2 bedrijfsmodi:

- UIT-modus (zie 3.2.1)
- AAN-modus (zie 3.2.2)

### 3.2.1

### OFF-modus

In de **UIT-modus** is de boiler uitgeschakeld. De boiler is niet aangesloten op de stroomvoorziening.

In de **UIT-modus** is de boiler niet beschermd tegen vorst.

### 3.2.2

#### **ON-modus**

In de **ON-modus** reageert de boiler voortdurend op de warmtevraag. De elektrische verwarmingselementen worden geactiveerd wanneer er warmtevraag is.

NL

# 4

# Gebruik

## 4.1

### De boiler inschakelen



---

**Let op**

Zorg dat de boiler is gevuld met water voordat u deze aanzet.

---

Schakel de schakelaar tussen de boiler en de stroomvoorziening in om de boiler te activeren.

### 4.1.1

#### Temperatuurregeling



---

**Waarschuwing**

De ingestelde temperatuur mag alleen door gekwalificeerde onderhoudsmonteurs worden gewijzigd.

---

## 4.2

### De boiler uitschakelen

### 4.2.1

#### De boiler kortstondig uitschakelen

Om de boiler korter dan twee maanden uit te schakelen zet u deze in de **UIT-modus** (zie 3.2.1).



---

**Opmerking**

Als de boiler langer dan twee maanden in de **UIT-modus** blijft staan en er geen water wordt afgetapt, kunnen luchtbellens in de boiler ontstaan. Hierdoor kan er lucht in de waterleidingen komen.

---

### 4.2.2

#### De boiler voor een lange periode uitschakelen

Neem contact op met uw onderhoudsmonteur wanneer de boiler langer dan twee maanden niet wordt gebruikt zodat deze de boiler buiten gebruik kan stellen.





# **Gedeelte over de installatie en het onderhoud**



# 5 Inleiding

## 5.1 Informatie over de boiler

De DRE-boiler is bedoeld om water te verwarmen voor sanitaire doeleinden.

De DRE is een elektrische boiler. De elektrische verwarmingselementen brengen hun warmte direct over op het water.

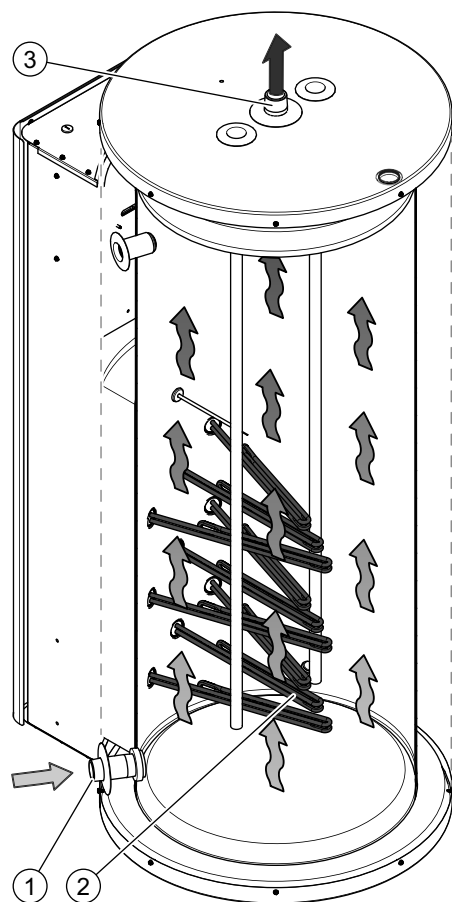
## 5.2 Werkingsprincipe

Koud water stroomt via de waterinlaat (1) de onderzijde van de tank binnen. De verwarmingselementen (2) brengen hun warmte rechtstreeks over op het water en het hete water verlaat de tank via de wateruitlaat (3) aan de bovenzijde van de tank. De tank van de boiler moet tijdens het in bedrijf zijn volledig zijn gevuld. De tank moet altijd minimaal onder de toevoerdruk van de hoofdwatervleiding blijven. Wanneer heet water de boiler verlaat, wordt direct koud water toegevoegd.

Afhankelijk van het model is de boiler voorzien van 1, 2, of 3 rijen van elk 3 verwarmingselementen. Elke rij heeft een regelthermostaat boven het middelste verwarmingselement. De thermostaat meet de watertemperatuur aan de buitenkant van

de tank. Wanneer de watertemperatuur lager is dan de ingestelde temperatuur, worden de verwarmingselementen geactiveerd en wordt het water verwarmd.

Afb. DRE-boiler



1. Waterinlaat
2. Verwarmingselementen
3. Wateruitlaat

# 6

# Veiligheid

## 6.1

## Veiligheidsinstructies

Raadpleeg Veiligheid (zie 2) in het gedeelte voor de gebruiker in deze handleiding voor veiligheidsinstructies voor het gebruik van de boiler.



---

### Waarschuwing

De installatie en het onderhoud moet worden uitgevoerd door een gekwalificeerde monteur en volgens de algemene en lokale voorschriften van de water- en stroomleveringsbedrijven en de brandweer.

### Waarschuwing

De boiler moet op een niet-ontvlambare ondergrond worden geïnstalleerd.

### Waarschuwing

Haal de stekker van de boiler uit het stopcontact voordat u onderhouds- of reparatiewerkzaamheden uitvoert. Laat de boiler spanningsloos (geïsoleerd) tot deze in gebruik wordt genomen.

---



---

### Let op

De boiler mag alleen rechtop worden verplaatst. Controleer na het uitpakken van de boiler of deze niet is beschadigd.

### Let op

Vul voor gebruik de boiler volledig met water. Een 'droge' ontsteking beschadigt de boiler.

### Let op

De anodebescherming blijft actief wanneer de boiler in de OFF-modus staat.

### Let op

Er kan water uit de afvoerpijp van de overdrukrichting druppelen. Deze pijp moet in verbinding met de buitenlucht open blijven staan.

### Let op

Laat de overdrukrichting regelmatig werken om kalkaanslag te verwijderen en om te controleren of er geen sprake is van een blokkade.

### Let op

Bij de installatie van de boiler heeft u een inlaatcombinatie nodig. De inlaatcombinatie en bijhorende fittings worden niet meegeleverd. De inlaatcombinatie moet geschikt zijn voor een waterdrukniveau tot 800 kPa. Installeer de inlaatcombinatie zo dicht mogelijk bij de boiler.

---



---

### Waarschuwing

Installeer nooit een afsluiter of een terugslagklep tussen de inlaatcombinatie en de boiler.

---



---

**Let op**

De boiler heeft een vaste aansluiting op de waterleiding nodig. Sluit de boiler niet aan met een waterslang.

---

**Opmerking**

Eventuele lekkages van de tank en/of de aansluitingen kunnen schade veroorzaken aan de direct omgeving of de vloeren onder het niveau van de opstellingsruimte. Installeer de boiler boven een afvoer voor afvalwater of in een geschikte metalen lekbak.

De lekbak moet over een geschikte afvoer voor afvalwater beschikken, en moet minimaal 5 cm diep zijn en in de lengte en breedte minimaal 5 cm groter zijn dan de boiler.

**Opmerking**

De boiler wordt zonder voedingskabel en hoofdschakelaar geleverd.

Gebruik een voedingskabel met draden met de geschikte diameter op basis van de kabellengte en de stroom.

**Opmerking**

Selecteer en installeer een meerpole schakelaar (overspanningscategorie III) met een contactopening van minstens 3 mm. De meerpole schakelaar moet overeenkomstig de bedradingsvoorschriften in de vaste bedrading worden verwerkt.

---

## 6.2


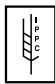

### Instructies op de boiler

Op de kap van de boiler zijn enkele veiligheidsinstructies aangebracht:

- De tekst "Lees de installatie-instructies voordat u het toestel wordt geïnstalleerd".
- De tekst "Lees de gebruikersinstructies voordat het toestel in bedrijf wordt genomen".
- De tekst "Spanningvoerende delen aanwezig! Maak het toestel volledig spanningsloos (met de werkschakelaar) alvorens de buitendeur te openen om toegang te krijgen tot de elektrische componenten".
- De tekst "Controleer alle elektrische schroefverbindingen vóór inbedrijfstelling en na inspectie- en onderhoudswerkzaamheden".
- De tekst "Monteer een geschikt temperatuur- en drukventiel in de daarvoor bedoelde aansluiting".
- De tekst "Monteer een drukreducerventiel in de koudwatertoevoer".
- De tekst "De garantie vervalt wanneer het toestel niet volgens de onderhoudsvoorschriften wordt onderhouden en wanneer de waterkwaliteit niet voldoet aan de voorschriften zoals vermeld in de installatiehandleiding".

Op de verpakking zijn ook enkele veiligheidsinstructies aangebracht:

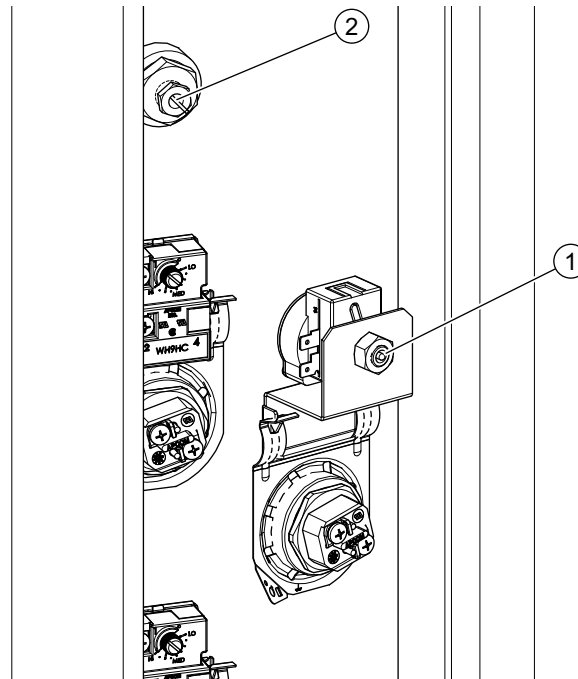
- De tekst "Lees de installatie-instructies voordat het toestel wordt geïnstalleerd".
- De tekst "Lees de gebruikersinstructies voordat het toestel in bedrijf wordt genomen".
- Enkele veiligheidspictogrammen:

	CE-gemarkeerd
	Verpakkingen conform ISPM 15
	Lever het apparaat in bij een <u>afvalinzamelingsdepot voor elektrische en elektronische apparatuur</u> (zie 6.4.2)

## 6.3

## Veiligheidsvoorzieningen

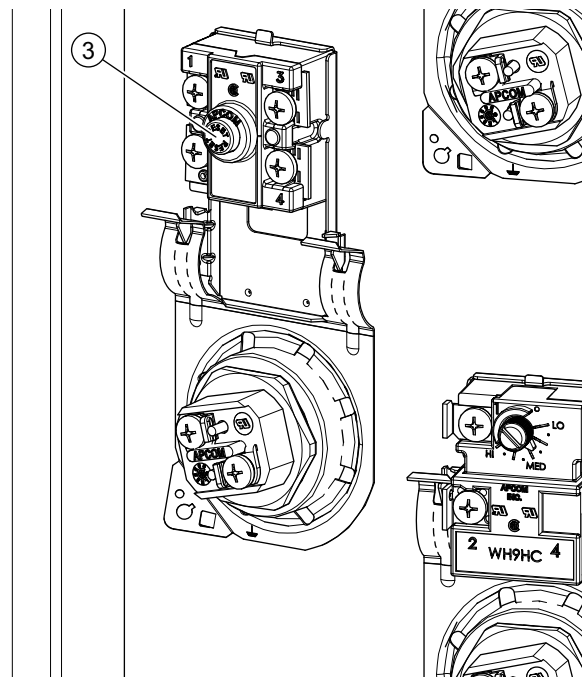
Afb. Hoofdveiligheidsthermostaat



1. Hoofdveiligheids-thermostaatbehuizing
2. Hoofdveiligheids-thermostaatsensor

NL

Fig. Rij-veiligheidsthermostaat



3. Rij-veiligheids-thermostaat

## Veiligheidsvoorzieningen van de boiler:

<b>Hoofdveiligheids-thermostaat (G1)</b>	De hoofdveiligheidsthermostaat (G1) onderbreekt het regelcircuit wanneer de watertemperatuur te hoog is ( $>92^{\circ}\text{C} \pm 3^{\circ}\text{C}$ ). De hoofdveiligheidsthermostaat beschermt ook de verwarmingselementen als de boiler geactiveerd wordt terwijl deze niet met water is gevuld. De sensor van de hoofdveiligheidsthermostaat (G1) is boven het middenelement van de hoogste rij gemonteerd. U kunt de thermostaat met de witte knop resetten als de watertemperatuur is gedaald ( $<83^{\circ}\text{C}$ ). Zorg ervoor dat de boiler volledig is gevuld met water voordat u de thermostaat gaat resetten.
<b>Rij-veiligheids-thermostaat (G2)</b>	De rij-veiligheidsthermostaat (G2) onderbreekt het circuit (L1 en L2) van elke rij elementen als de watertemperatuur te hoog wordt ( $>93^{\circ}\text{C} \pm 3^{\circ}\text{C}$ ) als gevolg van een storing in het regelcircuit. U kunt de thermostaat met de rode knop resetten als de watertemperatuur is gedaald ( $<83^{\circ}\text{C}$ ).
<b>Thermische zekering</b>	De thermische zekering is in de bedrading van de hoofdveiligheidsthermostaat (G1) verwerkt en onderbreekt het regelcircuit als oververhitting van het elementgebied wordt gedetecteerd. De thermische zekering kan niet worden gereset. De complete bedrading, inclusief thermische zekering moet worden vervangen.

## Veiligheidsvoorzieningen van de installatie:

<b>Drukreduceerventiel</b>	Het drukreduceerventiel vermindert de druk van de waterleiding, indien nodig.
<b>T&amp;P-ventiel (temperatuur- en drukreduceerventiel)</b>	Het T&P-ventiel voorkomt een te hoge druk en te hoge temperatuur in de tank.
<b>(1)</b>	

1- Alle installaties hebben een aansluiting voor een T&P-ventiel. Het gebruik van een T&P-ventiel is verplicht.



## 6.4

## Milieu-aspecten

### 6.4.1

### Recyclen



Het verpakkingsmateriaal is milieuvriendelijk, recyclebaar en relatief eenvoudig af te voeren.

NL

### 6.4.2

### Afvoeren



Oude toestellen die niet meer gebruikt worden, bevatten materialen die moeten worden gerecycled. Leef de lokale voorschriften voor het afvoeren van oude apparaten die niet meer gebruikt worden na.

Voer uw oude apparaat nooit af samen met standaard afval. Lever het apparaat in bij een afvalinzamelingsdepot voor elektrische en elektronische apparatuur. Vraag, indien nodig, uw leverancier of uw onderhoudsmonteur om advies.



# 7

# Boiler

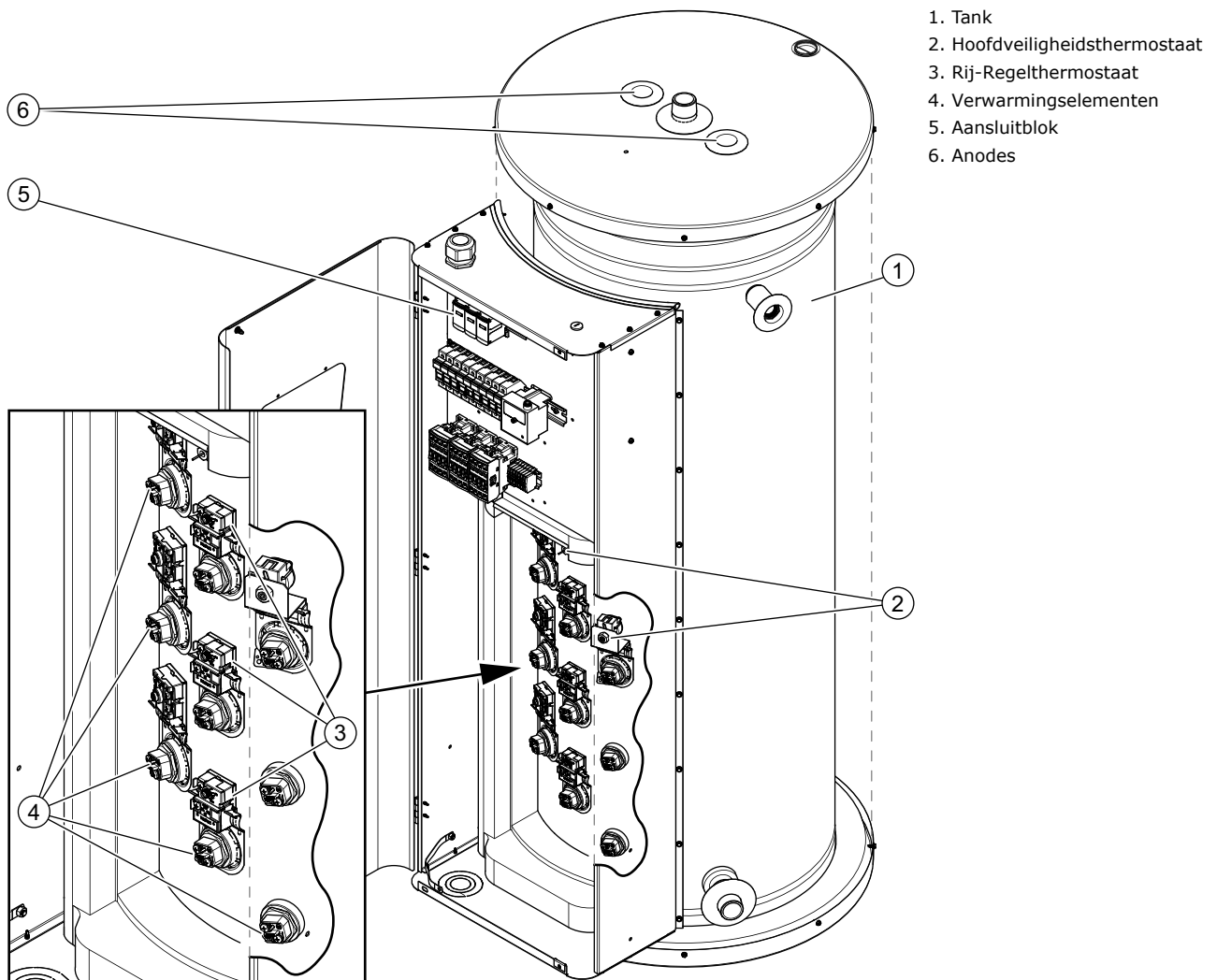
## 7.1

## Opbouw van de boiler

De boiler heeft de volgende hoofdonderdelen:

<b>Tank (1)</b>	Het water wordt opgeslagen in de tank en daarin verwarmd.
<b>Verwarmingselementen (4)</b>	Het water wordt door verwarmingselementen verwarmd.

Afb. Onderdelen van de boiler





# 8

# Installatie



---

**Waarschuwing**

De installatie moet worden uitgevoerd door een hiertoe gekwalificeerd persoon en in overeenstemming met algemene en lokale voorschriften (op pagina 5) hiervoor.

---



---

**Let op**

De boiler mag niet worden gebruikt in ruimtes waarin chemische stoffen zijn opgeslagen of worden gebruikt vanwege het risico op een explosie en corrosie van de boiler. Sommige drijfgassen, bleekmiddelen en ontvettingsmiddelen enzovoort kunnen explosieve dampen afgeven en/of de boiler sneller doen roesten. Wanneer de boiler wordt gebruikt in een ruimte waar dergelijke substanties zijn opgeslagen of worden gebruikt, vervalt de garantie.

---

Raadpleeg Veiligheidsinstructies (zie 6.1) voor meer veiligheidsinstructies.

## 8.1

### Verpakking

A.O. Smith raadt aan om de boiler op of in de buurt van de installatielocatie uit te pakken. Verwijder de verpakking voorzichtig om beschadiging van de boiler te voorkomen.

## 8.2

### Omgeving



---

**Waarschuwing**

De boiler moet op een niet-ontvlambare ondergrond worden geïnstalleerd.

---

### 8.2.1

#### Omgevingsomstandigheden

De installatielocatie moet vorstvrij zijn. Tref indien nodig maatregelen om de installatielocatie vorstvrij te houden.

Zorg ervoor dat de omgevingsomstandigheden geschikt zijn om storing in de elektronica van de boiler te voorkomen.

<b>Luchtvochtigheid en omgevingstemperatuur</b>	
Luchtvochtigheid	Max. 93% RV bij + 25 °C
Omgevingstemperatuur	Functionaliteit: 0 < T < 40 °C

### 8.2.2

#### Maximale vloerbelasting

Raadpleeg de bouwkundige en algemene specificaties in de bijlagen om er zeker van te zijn dat de maximale vloerbelasting voldoende is om het gewicht van de boiler te dragen.

### 8.2.3

## Watersamenstelling

Het water moet voldoen aan de voorschriften voor drinkwater.

Watersamenstelling	
Waterhardheid	> 1,00 mmol/l: - Duitse hardheid > 5,6° dH - Franse hardheid > 10,0° fH - Engelse hardheid > 7,0° e - CaCO <sub>3</sub> > 100 ppm
Geleidbaarheid	> 125 µS/cm
Zuurgraad (pH-waarde)	7,0 - 9,5



### Opmerking

De waterkwaliteit kan een negatieve invloed hebben op de efficiëntie, prestaties en levensduur van de boiler. Raadpleeg de [Garantie](#) (op pagina 3). Raadpleeg een expert op het gebied van waterbehandeling indien de waterspecificaties afwijken van die in de tabel.

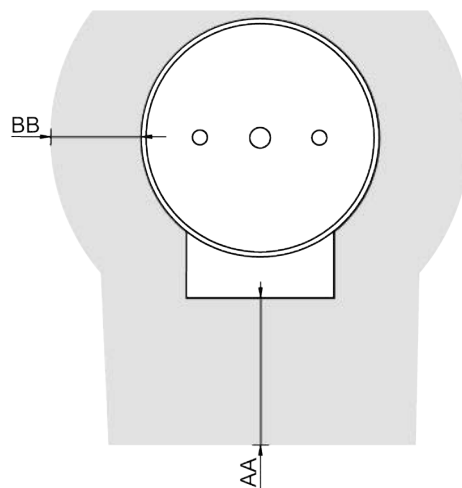
### 8.2.4

## Ruimte voor werkzaamheden

Zorg ervoor dat er voldoende ruimte is om toegang te krijgen tot de boiler:

- 100 cm voor de boiler (AA).
- 50 cm links en rechts van de boiler (BB).
- 100 cm boven de boiler.

Afb. Ruimte voor werkzaamheden

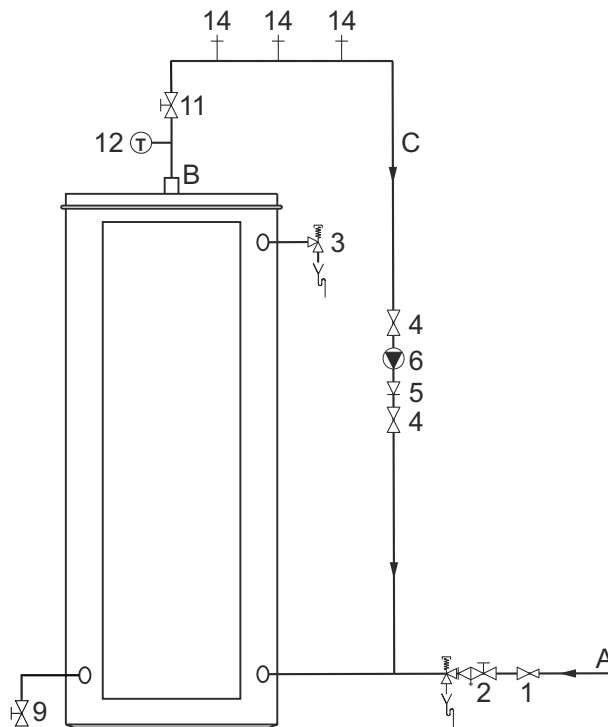


IMD-1449 R0

## 8.3

## Aansluitschema

Afb. Aansluitschema



1. Drukreducerendventiel (verplicht wanneer de druk van de waterleiding te hoog is)
2. Inlaatcombinatie
3. T&P-ventiel (verplicht)
4. Afsluiter (aanbevolen)
5. Terugslagklep
6. Circulatiepomp (optioneel)
9. Aftapkraan
11. Service-afsluiter
12. Temperatuurmeter (optioneel)
14. Tappunt
- A. Koudwatertoevoer
- B. Warmwateruitlaat
- C. Circulatieleiding (optioneel)



### Opmerking

Gebruik dit Aansluitschema wanneer u:

- de wateraansluitingen (zie 8.4) installeert
- de boiler vult (zie 8.6.1)
- de boiler aftapt

## 8.4

## Wateraansluitingen

### 8.4.1

### Koudwateraansluiting



#### Let op

Bij de installatie van de boiler heeft u een inlaatcombinatie nodig. De inlaatcombinatie en bijhorende fittings worden niet meegeleverd. De inlaatcombinatie moet geschikt zijn voor een waterdruk niveau tot 800 kPa. Installeer de inlaatcombinatie zo dicht mogelijk bij de boiler.



#### Waarschuwing

Installeer nooit een afsluiter of een terugslagklep tussen de inlaatcombinatie en de boiler.

#### Waarschuwing

De boiler heeft een vaste aansluiting op de waterleiding nodig. Sluit de boiler niet aan met een waterslang.

De koudwateraansluiting installeren:

1. Wanneer de toevoerdruk van de waterleiding te hoog is, installeert u een drukreducerendventiel (1), raadpleeg de Technische informatie.

2. Installeer een inlaatcombinatie (2).
3. Sluit de overstroomaansluiting van de inlaatcombinatie aan op een open leiding voor afvalwater.

## 8.4.2

### Warmwateraansluiting

---

**Opmerking**

Isoleer lange warmwaterleidingen om onnodig energieverlies te voorkomen.

**Opmerking**

Het gebruik van een T&P-ventiel is verplicht.

---

De warmwateraansluiting installeren:

1. Installeer een afsluiter (11) in de warmwateruitlaatleiding voor onderhoudswerkzaamheden.
2. Installeer een T&P-ventiel (3).
3. Installeer een temperatuurmeter (12), indien van toepassing.

## 8.4.3

### Circulatie-aansluiting

---

Installeer een circulatiesysteem wanneer een directe stroom van warm water bij tappunten (in warmwaterleiding) nodig is. Dit verbetert het comfort en vermindert watergebruik.

**Opmerking**

Sluit de circulatieleiding (C) aan op de koudwaterinlaat.

**Opmerking**

Zorg dat de circulatiepomp het juiste vermogen heeft voor de lengte en de weerstand van het circulatiesysteem.

---

Een circulatiepomp installeren:

1. Installeer een circulatiepomp (6).
2. Installeer een terugslagklep (5) na de circulatiepomp er zeker van te zijn dat de richting van de circulatie correct is.
3. Installeer een afsluiter (4) voor de circulatiepomp.
4. Installeer een afsluiter (4) na de terugslagklep.
5. Sluit de circulatieleiding (C) aan op de koudwaterinlaat, tussen de boiler en de inlaatcombinatie (2).

## 8.5

### Elektrische aansluitingen

---

**Waarschuwing**

Laat de boiler spanningsloos (geïsoleerd) tot deze in gebruik wordt genomen.

---



## 8.5.1

### Vorbereiding

Open de deur van de boiler om het elektrische gedeelte en het aansluitblok te kunnen zien.

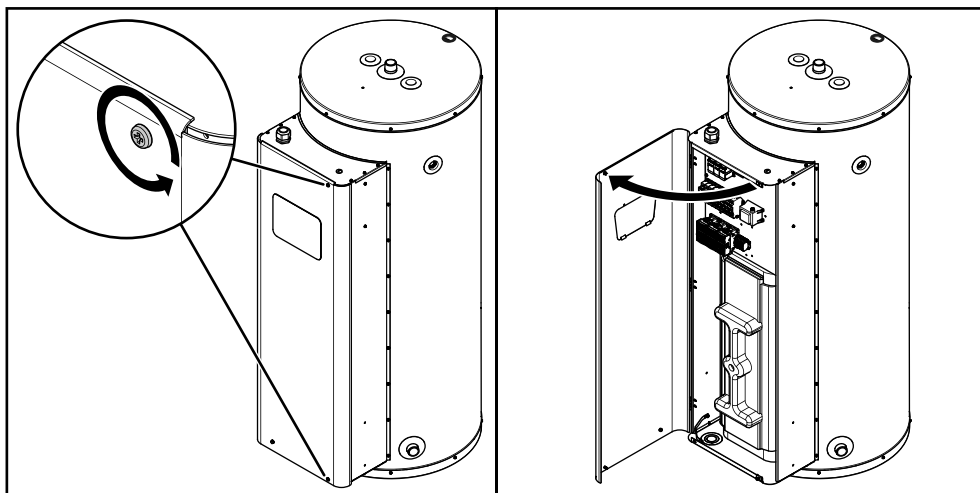


#### Waarschuwing

Spanningvoerende delen aanwezig! Maak het toestel volledig spanningsloos (met de werkschakelaar) alvorens de buitendeur te openen om toegang te krijgen tot de elektrische componenten.

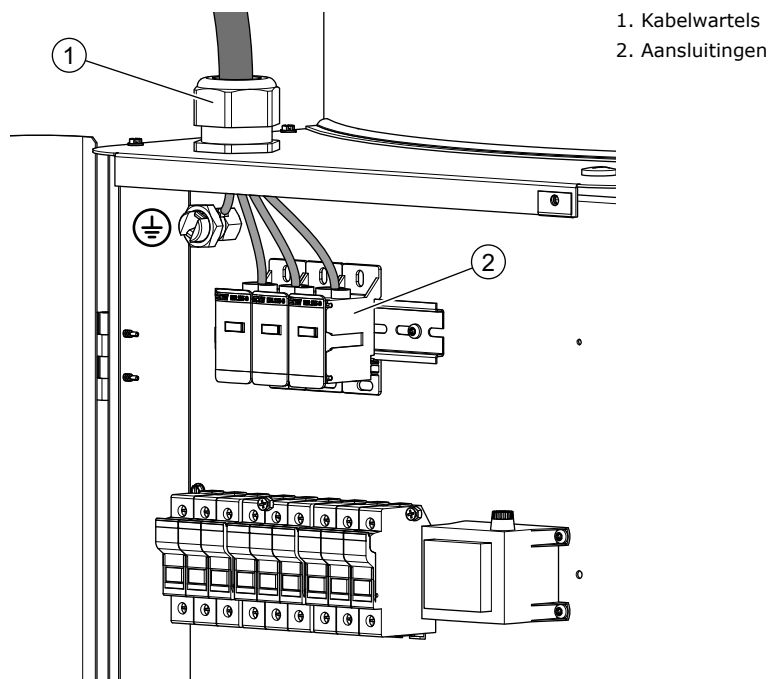
NL

Afb. Open de deur



De netvoeding moet aangesloten zijn op het aansluitblok, raadpleeg [Opbouw van de boiler](#) (zie 7.1).

Afb. Aansluitblok



## 8.5.2

### Netvoeding



---

**Opmerking**

De boiler wordt zonder voedingskabel en hoofdschakelaar geleverd.  
Gebruik een voedingskabel met draden met de geschikte diameter op basis van de kabellengte en de stroom.

**Opmerking**

Selecteer en installeer een meerpolige schakelaar (overspanningscategorie III) met een contactopening van minstens 3 mm. De meerpolige- schakelaar moet overeenkomstig de bedravingsvoorschriften in de vaste bedrading worden verwerkt.

**Opmerking**

De schakelaar moet in dezelfde ruimte als het toestel worden geïnstalleerd, maximaal 1 meter van de boiler af, en correct worden gemarkeerd.

**Opmerking**

De lengte van de kern van de aardingsdraad die is aangesloten op de elektrische aansluiting moet langer zijn dan de kernen van neutrale en spanningvoerende draden (L1, L2 en L3).

---

De boiler op de netvoeding aansluiten:

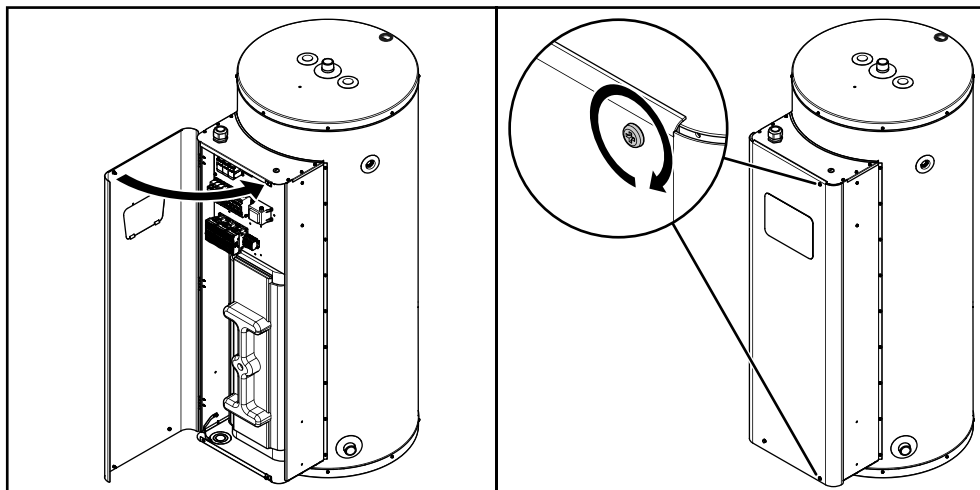
1. Trek de voedingskabel door de kabelwartel.
2. Sluit de spanningvoerende draden (L1, L2 en L3) en de aardingsdraad A) van de voedingskabel aan op de klemmen van het aansluitblok.
3. Sluit de voedingskabel aan op de schakelaar.
4. Zet de voedingskabel vast in kabelwartel.

## 8.5.3

### Afronden

Wanneer alle aansluitingen in orde zijn, sluit u de deur van de boiler.

*Afb. Plaats de kap*



## 8.6 Inbedrijfstelling

De boiler in bedrijf stellen:

1. Vul de boiler (zie 8.6.1)
2. Schakel de boiler in

### 8.6.1 Vullen

Raadpleeg het Aansluitschema wanneer u de boiler vult:

1. Open de afsluiters (4) van de circulatieleiding (C), indien van toepassing.
2. Controleer of de aftapkraan (9) is gesloten.
3. Open het dichtstbijzijnde tappunt van de warmwaterleiding (14).
4. Open de kraan van de inlaatcombinatie (2) in de leiding van de koudwatertoevoer (A). Koud water stroomt de boiler binnen.
5. Vul de boiler totdat een sterke stroom water uit het dichtstbijzijnde tappunt stroomt. De boiler is volledig gevuld.
6. Open alle tappunten om de hele installatie te ontluchten. De druk van de watertoevoer in de boiler is nu in orde.
7. Controleer of er geen water uit het drukreducerendventiel van de inlaatcombinatie (2), of uit het T&P-ventiel (3) stroomt. Als er wel water uit komt:
  - Onderzoek of de watertoevoerdruk hoger is dan de gespecificeerde waarde in de Technische informatie. Installeer, indien nodig, een drukreducerendventiel (1).
  - Onderzoek of het drukreducerendventiel van de inlaatcombinatie goed is geïnstalleerd en goed werkt. Vervang, indien nodig, het overstortventiel.
8. Sluit alle tappunten in de warmwaterleiding.

### 8.6.2 Schakel de boiler in




---

#### Waarschuwing

Zorg ervoor dat de boiler is losgekoppeld van de netstroom voordat u de deur van de boiler opent om de temperatuurinstelling te wijzigen.

---




---

#### Let op

Zorg dat de boiler is gevuld met water voordat u deze aanzet.

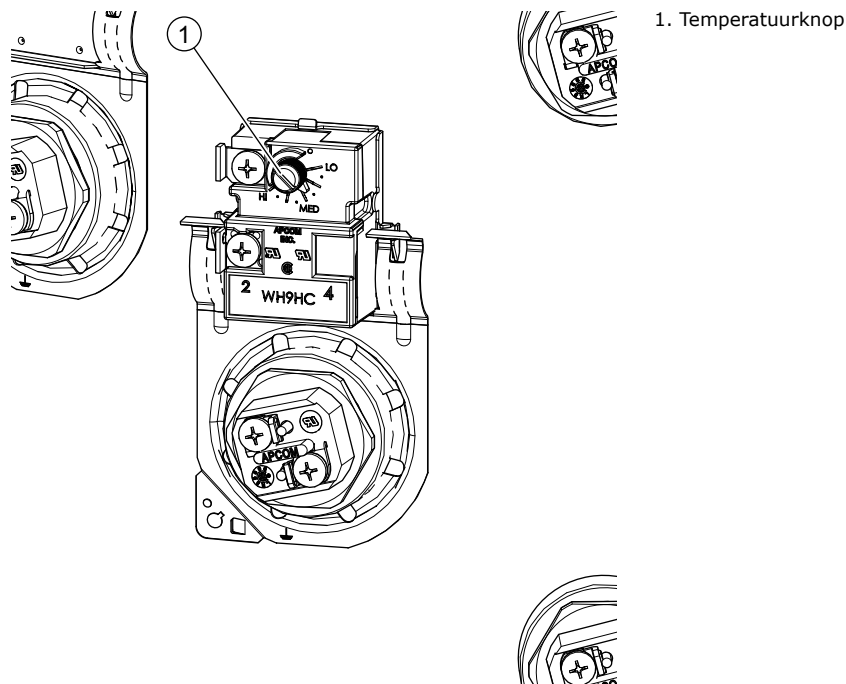
#### Let op

Zet de temperatuurknop bij voorkeur op 60 °C. Schadelijke kalkaanslag en kalkafzetting zal meer aanwezig zijn wanneer u knop instelt op 65 °C en hoger. Bij een lagere temperatuur is het risico van legionellaconcentraties in het water groter.

#### Let op

Controleer altijd de watertemperatuur bij het tappunt nadat u de temperatuurinstelling heeft gewijzigd.

---



De boiler starten:

1. Zorg ervoor dat de boiler niet is aangesloten op de netvoeding.
2. Open de deur van de boiler.



**Waarschuwing**

Spanningvoerende delen aanwezig! Maak het toestel volledig spanningsloos (met de werkschakelaar) alvorens de buitendeur te openen om toegang te krijgen tot de elektrische componenten.

3. Verwijder het isolatiemateriaal.
4. Draai op elke rij van verwarmingselementen de temperatuurknop naar de gewenste temperatuur.

Instelling	Temperatuur
O	57 °C
LO	60 °C
MED	72 °C
HI	83 °C

5. Plaats het isolatiemateriaal terug.
6. Sluit de deur van de boiler.
7. Sluit de boiler op de netvoeding aan.

## 8.7 Buitengebruikstelling

Stel de boiler buiten gebruik:

1. De boiler uitschakelen (zie 8.7.1)
2. De boiler aftappen

### 8.7.1 De boiler uitschakelen

Raadpleeg de procedure in het gedeelte voor de gebruiker De boiler uitschakelen (zie 4.2) en isoleer de boiler van de netvoeding.

### 8.7.2 Aftappen

Raadpleeg het Aansluitschema wanneer u de boiler wilt aftappen:

1. Sluit, indien van toepassing, de onderhoudsafsluiter (11) in de warmwaterleiding.

2. Sluit de afsluiters (4) van de circulatieleiding (C), indien van toepassing.
3. Sluit het ventiel (2) van de inlaatcombinatie (A).
4. Open de aftapkraan (9).
5. Belucht de hele installatie totdat de boiler volledig is afgetapt.
6. Als de boiler volledig moet worden afgetapt, koppel het toestel dan los en kantel het in de richting van de aftapkraan.



De boiler moet minimaal een keer per jaar worden onderhouden. Het onderhoudsinterval wordt bepaald door de waterkwaliteit, de gemiddelde bedrijfsuren per dag en de ingestelde watertemperatuur.

Om de juiste interval te bepalen, adviseert A.O. Smith om drie maanden na installatie een systeemcontrole uit te voeren.



---

**Opmerking**

Onderhoud moet worden uitgevoerd om een effectieve en efficiënte overdracht van de warmte op het water te behouden. Onderhoud verlengt de levensduur van de boiler aanzienlijk.

**Opmerking**

Indien nodig, kunnen reserveonderdelen worden besteld. Om er zeker van te zijn dat u de juiste reserveonderdelen ontvangt, kijkt u op de plaat met gegevens voor het volledige serienummer en het model boiler. Deze informatie gebruikt u wanneer u de reserveonderdelen besteld.

---

Voer de volgende onderhoudswerkzaamheden uit:

- [Vorbereiding](#) (zie 9.1)
- [Waterzijdig onderhoud](#) (zie 9.2)
- [Prestatie controleren](#) (zie 9.3)
- [Afronden](#) (zie 9.4)

## 9.1

### Vorbereiding

Isoleer de boiler van de netvoeding voordat u onderhoudswerkzaamheden uitvoert.

## 9.2

### Waterzijdig onderhoud

Waterzijdige onderhoudswerkzaamheden:

- [Inspecteer de anode](#) (zie 9.2.1)
- De tank ontkalken

### 9.2.1

#### Inspecteer de anode

De levensduur van de anode is afhankelijk van de kwaliteit en hoeveelheid water die door de boiler stroomt. Inspecteer de anode ten minste eenmaal per jaar om ervoor te zorgen dat de tank is beschermd tegen corrosie.

De anode inspecteren:

1. Sluit het reduceerventiel in de koudwatertoevoer.
2. Open het dichtstbijzijnde tappunt in de warmwaterleiding om de waterdruk in de boiler te verlagen.
3. Gebruik een steeksleutel om de anode los te draaien.
4. Verwijder de anode uit de boiler.

- Inspecteer het volume van de anode. Als de anode voor 60 % of meer is opgebruikt, vervangt u de anode.



**Opmerking**

Gebruik in dat geval altijd een anode van hetzelfde type. Raadpleeg het typeplaatje voor het type en serienummer van de anode.

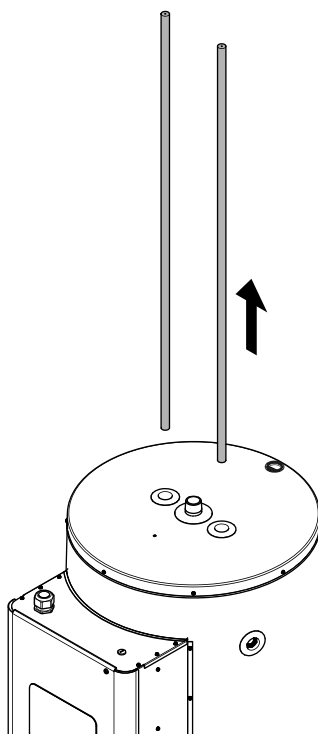
- Plaats de anode in de boiler.
- Gebruik een steeksleutel om de anode vast te draaien. Zorg dat de aansluiting waterdicht is.



**Opmerking**

Installeer een anode nooit geïsoleerd van de metalen tank.

Afb. De anode inspecteren



9.2.2

**De tank ontkalken**



**Opmerking**

Hard water kan kalkaanslag veroorzaken, dat de efficiëntie van de boiler negatief beïnvloedt en kan leiden tot storingen. Storingen ten gevolge van kalkaanslag of andere aanslag zijn geen fabricagefouten en worden niet gedekt door de garantie (op pagina 3).

**Opmerking**

Vervang de pakkingen voordat u begint met opnieuw monteren. U moet deze pakkingen bij uw leverancier bestellen. Bekijk de plaat met gegevens voor de juiste bestelinformatie.

De tank ontkalken en reinigen:

- Stel de boiler buiten gebruik (zie 8.7).
- Open de deur van de boiler.



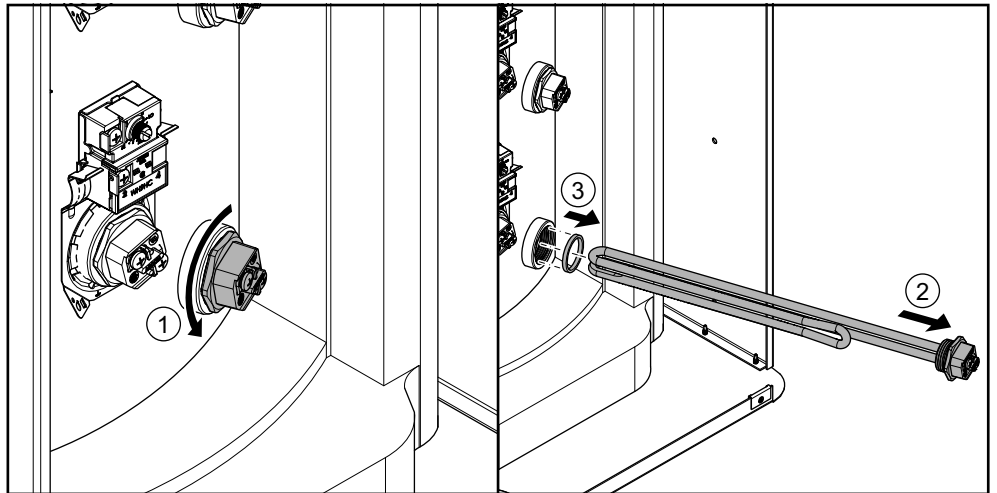
**Waarschuwing**

Spanningvoerende delen aanwezig! Maak het toestel volledig spanningsloos (met de werkschakelaar) alvorens de buitendeur te openen om toegang te krijgen tot de elektrische componenten.



3. Verwijder het isolatiemateriaal.
4. Verwijder het onderste verwarmingselement:
  - a) Maak de elektrische aardingsdraad (A) en de spanningvoerende draad (L) op het element los.
  - b) Maak het verwarmingselement los.
  - c) Verwijder het verwarmingselement uit de boiler.  
Zet het verwarmingselement voorzichtig ergens neer.
5. Inspecteer de tank via de opening op kalkaanslag.
6. Bij kalkaanslag:
  - a) Verwijder de volgende verwarmingselementen.  
Begin bij het onderste verwarmingselement.
  - b) Gebruik een ontkalkingsmiddel om kalk en vuil te verwijderen. Neem contact op met de leverancier van uw boiler om advies te vragen over welk ontkalkingsmiddel u kunt gebruiken.
7. Maak de verwarmingselementen schoon.
8. Vervang de pakking.
9. Meet de weerstandswaarde tussen de twee aansluitingen van elk verwarmingselement.  
De waarde moet voor 3 kW -elementen ongeveer 19 +/- 4 Ohm zijn en voor 6 kW -elementen 10 +/- 2 Ohm.
10. Installeer de verwarmingselementen:
  - a) Plaats het element in de tank.
  - b) Zet het verwarmingselement vast.
  - c) Sluit de elektrische aardingsdraad (A) en de spanningvoerende draad (L) op het element aan.
11. Installeer het isolatiemateriaal.
12. Sluit de deur.
13. De boiler vullen (zie 8.6.1).

Afb. Een verwarmingselement verwijderen



## 9.3

### Prestatie controleren

Zorg dat de weerstandswaarde van elk verwarmingselement correct is:

1. Open de deur van de boiler.



#### Waarschuwing

Spanningvoerende delen aanwezig! Maak het toestel volledig spanningsloos (met de werkschakelaar) alvorens de buitendeur te openen om toegang te krijgen tot de elektrische componenten.

2. Verwijder het isolatiemateriaal.
3. Meet de weerstandswaarde tussen de twee aansluitingen van elk verwarmingselement.  
De waarde moet voor 3 kW -elementen ongeveer 19 +/- 4 Ohm zijn en voor 6 kW -elementen 10 +/- 2 Ohm.

4. Vervang het verwarmingselement als de weerstandswaarde niet correct is.
  - a) Stel de boiler buiten gebruik (zie 8.7).
  - b) Maak de elektrische aardingsdraad (A) en de stroomvoerende draad (L) op het element los.
  - c) Maak het verwarmingselement los.
  - d) Verwijder het verwarmingselement uit de boiler.
  - e) Plaats een nieuw element in de tank.
  - f) Zet het verwarmingselement vast.
  - g) Sluit de elektrische aardingsdraad (A) en de stroomvoerende draad (L) op het element aan.
5. Zorg ervoor dat alle bedrading correct aangesloten is.
6. Zorg ervoor dat alle elektrische schroefverbindingen goed vastgedraaid zijn.
7. Installeer het isolatiemateriaal.
8. Sluit de deur.
9. Vul de boiler (zie 8.6.1) indien nodig.

## 9.4

### Afronden

Wanneer alle onderhoudswerkzaamheden voltooid zijn:

1. Vul de boiler (zie 8.6.1) indien nodig.
2. Schakel de boiler in (zie 4.1).
3. Controleer of alle onderdelen goed werken:
  - a) Controleer of de bedrijfscyclus van de boiler goed werkt.
  - b) Zorg er indien van toepassing voor dat het T&P-ventiel correct functioneert. Open het T&P-ventiel en zorg dat er water uit spuit.




---

#### Waarschuwing

Dit water kan heet zijn.

---

- c) Controleer of de drukreduceraansluiting van de inlaatcombinatie goed werkt. Open het drukreducerventiel en controleer of er water uit spuit.

# 10

# Storingen

## 10.1

## Algemene storingen



### Opmerking

Raadpleeg Elektrisch schema voor de codering van de aansluitingen.

Indicatie	Oorzaak	Maatregel
<b>Waterlekkage</b>	Er lekt water uit een wateraansluiting met schroefdraad.	Aansluiting met schroefdraad aandraaien.
	Een andere boiler, of pijpsegment in de buurt lekt.	Lekkage opsporen.
	De tank van de boiler lekt.	Contact opnemen met de leverancier van uw boiler.
<b>Onvoldoende, of geen warm water</b>	De boiler is uitgeschakeld.	Schakel de boiler in (zie 4.1).
	De temperatuur is te laag ingesteld.	Stel de regelthermostaat hoger in.
	Er is geen voedingsspanning.	Controleer of: <ul style="list-style-type: none"><li>- De isolator in de positie <b>ON</b> staat.</li><li>- De isolator van voeding wordt voorzien.</li><li>- Het elektrisch aansluitblok van voeding wordt voorzien.</li></ul> De gemeten spanning moet 400 V <sub>AC</sub> (-15%, +10%) zijn.
	Er is geen warm water meer.	Het gebruik van warm water verminderen. Wacht tot de boiler is opgewarmd.
<b>Aardlekschakelaar is uitgevallen</b>	Er zit niet voldoende water in de tank.	- Zorg dat de boiler gevuld is met water.
	Een van de verwarmingselementen is defect.	<ul style="list-style-type: none"><li>- Meet de weerstandswaard tussen alle elementaansluitingen en de buitenkant van de tank. De waarde moet uniform zijn.</li><li>- Stel vast welk element defect is.</li></ul>

Indicatie	Oorzaak	Maatregel
<b>Er is een veiligheidsvoorziening geactiveerd</b>	De hoofdveiligheidsthermostaat (G1) is geactiveerd	<ul style="list-style-type: none"> <li>- Zorg dat de boiler volledig gevuld is.</li> <li>- Water aftappen zodat de temperatuur in de boiler zakt.</li> <li>- Let erop dat alle aansluitingen correct zijn aangesloten (zie het <u>aansluitschema</u> (zie A.5)).</li> <li>- Gebruik de witte knop om de thermostaat handmatig te resetten.</li> <li>- Vervang indien nodig de veiligheidsthermostaat (G1).</li> </ul>
	De rij veiligheidsthermostaat (G2) is geactiveerd.	<ul style="list-style-type: none"> <li>- Water aftappen zodat de temperatuur in de boiler zakt.</li> <li>- Let erop dat alle aansluitingen correct zijn aangesloten (zie het <u>aansluitschema</u> (zie A.5)).</li> <li>- Gebruik de rode knop om de thermostaat handmatig te resetten.</li> <li>- Vervang indien nodig de veiligheidsthermostaat (G2).</li> </ul>
	De thermische verzekering heeft het regelcircuit onderbroken.	<ul style="list-style-type: none"> <li>- Controleer wat de buitensporige temperatuurstijging van het elementgebied veroorzaakt.</li> <li>- Meet de weerstandswaarde van de thermische zekering. De waarde moet &lt;5 Ohm zijn.</li> <li>- Indien nodig, de bedrading van de thermische zekering vervangen.</li> </ul>

U kunt de bijgesloten garantiekaart invullen en retourneren om uw boiler te registreren. U kunt uw boiler ook online registreren via de website A.O. Smith.

## Artikel 1: Algemene garantie

Wanneer, na controle en na goeddunken van A.O. Smith, een onderdeel of gedeelte (met uitzondering van de staal-geëmailleerde tank) van een boiler geleverd door A.O. Smith binnen één jaar na de oorspronkelijke installatiedatum defect blijkt te zijn, of niet goed werkt door de fabricage en/of andere defecten aan materialen, zal A.O. Smith dit onderdeel of gedeelte repareren of vervangen.

## Artikel 2: Garantie op de tank

Wanneer, na controle en na goeddunken van A.O. Smith, de met staal-geëmailleerde tank van een boiler geleverd door A.O. Smith binnen drie jaar na de oorspronkelijke installatiedatum lekt door roest of corrosie aan de waterzijde, zal A.O. Smith aanbieden om de defecte boiler te vervangen door een geheel nieuwe boiler van gelijk formaat en gelijke kwaliteit. De garantieperiode voor de vervangende boiler zal gelijk zijn aan de resterende garantieperiode van de oorspronkelijk geleverde boiler. Niettegenstaande hetgeen eerder vermeld in dit artikel, zal de garantieperiode worden verkort tot een jaar gerekend vanaf de oorspronkelijke installatiedatum wanneer er niet gefilterd, of verzacht water is gebruikt, of in de boiler heeft gestaan.

## Artikel 3: Voorwaarden voor installatie en gebruik

De garantie vermeld in Artikel 1 en 2 is alleen van toepassing wanneer aan de volgende voorwaarden is voldaan:

- Bij het installeren van de boiler zijn de installatie-instructies van A.O. Smith voor het specifieke model, en de installatievoorwaarden en bouwvoorschriften, regelgeving en voorschriften ten tijde van de installatie volledig nageleefd.
- De boiler blijft geïnstalleerd op de oorspronkelijke installatielocatie.
- De boiler wordt uitsluitend gebruikt in combinatie met drinkwater dat altijd vrij kan circuleren (voor het verwarmen van zout water of corrosief water is een afzonderlijk geïnstalleerde warmtewisselaar verplicht).
- De tank wordt beschermd tegen schadelijke kalkvorming en kalkaanslag door middel van periodiek onderhoud.
- De watertemperatuur in de boiler is niet hoger dan de maximale instelling van de thermostaten die onderdeel zijn van de boiler.
- De waterdruk en/of warmtebelasting overstijgen de maximale waarden vermeld op de specificatieplaat van de boiler niet.
- De boiler is geïnstalleerd in een niet-corrosieve atmosfeer of omgeving.

- De boiler is aangesloten op een beschermde koudwatertoevoer die door de betreffende instantie is goedgekeurd; met voldoende vermogen voor dit doel; die een waterdruk levert die niet hoger is dan de bedrijfsdruk vermeld op de boiler; en waar van toepassing door een gelijke goedgekeurde temperatuur- en drukreducerventiel; geïnstalleerd in overeenstemming met de installatie-instructies van A.O. Smith die van toepassing zijn op het specifieke model boiler, en in overeenstemming zijn met de nationale en plaatselijke installatievoorwaarden en bouwvoorschriften, regels en voorschriften.
- De boiler is altijd voorzien van een kathodische bescherming. Wanneer voor dit doel opofferingsanodes worden gebruikt, moeten deze worden vervangen zodra deze voor 60% of meer zijn verbruikt. Wanneer elektrische anodes worden gebruikt, is het van belang dat deze worden gecontroleerd op een goede werking.

#### **Artikel 4: Uitzonderingen**

De garantie vermeld in Artikel 1 en 2 is niet van toepassing wanneer:

- de schade aan de boiler veroorzaakt is door een externe factor;
- er sprake is van oneigenlijk gebruik, verwaarlozing (ook vorstschade), aanpassingen, onjuist en/of ongeautoriseerd gebruik van de boiler en pogingen om lekkages te repareren;
- vuil of andere substanties de tank zijn binnengedrongen;
- de geleidbaarheid van het water minder is dan  $125 \mu\text{S}/\text{cm}$  en/of de hardheid (aardalkali-ionen) van het water minder is dan  $1,00 \text{ mmol/}$  (zie 8.2.3) liter;
- niet gefilterd, gerecirculeerd water door de boiler stroomt, of in de boiler wordt opgeslagen;
- er pogingen zijn gedaan om een defecte boiler te repareren door een niet erkende onderhoudsmonteur.

#### **Artikel 5: Omvang van de garantie**

Onder de verplichtingen van A.O. Smith krachtens de geboden garantie valt niet een gratis transport vanaf de fabriek van de onderdelen of de gedeeltes van de boiler die vervangen moeten worden; het transport, arbeidskosten, installatiekosten en andere kosten behorende bij de vervanging, zullen niet voor rekening komen van A.O. Smith.

#### **Artikel 6: Claims**

Een claim gegrond op de gespecificeerde garantie moet bij de dealer waar de boiler is aangeschaft, of een andere geautoriseerde dealer van producten van A.O. Smith Water Products Company worden ingediend. In een van de laboratoria van A.O. Smith Water Products Company vindt een inspectie van de boiler plaats zoals vermeld in Artikel 1 en 2.

#### **Artikel 7: Verplichtingen van A.O. Smith**

A.O. Smith geeft geen andere garantie of waarborg voor de boilers, noch voor de (onderdelen of gedeeltes van) boilers die ter vervanging zijn geleverd, anders dan de garantie die expliciet in deze Artikelen is vermeld.

Onder de voorwaarden van de toegepaste garantie, is A.O. Smith niet aansprakelijk voor persoonlijk letsel, of schade aan eigendommen veroorzaakt door (onderdelen of gedeeltes, of de staal-geëmailleerde tank van) een (vervangende) boiler die zij hebben geleverd.

# Index

## A

Aansluitschema.....	37
Aansprakelijkheid.....	3
Afronden.....	40, 48
Aftappen.....	42
Afvoeren.....	31
Algemene storingen.....	49

## B

Bedrijfsmodi.....	19
Besturingscomponenten.....	19
Boiler.....	33
Buitengebruikstelling.....	42

## C

Circulatie-aansluiting.....	38
Conformiteit.....	5
Contactinformatie.....	5
Copyright.....	3

## D

De boiler inschakelen.....	21
De boiler kortstondig uitschakelen.....	21
De boiler uitschakelen.....	21, 42
De boiler voor een lange periode uitschakelen.....	21
De tank ontkalken.....	46
Documentaanduiding.....	8
Doelgroep.....	7

## E

Elektrische aansluitingen.....	38
--------------------------------	----

## G

Garantie.....	3, 51
Gebruik.....	21
Gedeelte over de installatie en het onderhoud.....	23
Gedeelte voor de gebruiker.....	13

## H

Trademark.....	3
Handelsmerken.....	3

## I

Inbedrijfstelling.....	41
Informatie over de boiler.....	25
About this manual.....	7
Inhoud.....	7
Inleiding.....	15, 25
Inspecteer de anode.....	45
Installation.....	35
Instructies op de boiler.....	28

## K

Koudwateraansluiting.....	37
---------------------------	----

## M

Maximale vloerbelasting.....	35
Milieu-aspecten.....	31

## N

Netvoeding.....	40
Notatieconventies.....	7

## O

OFF-modus.....	19
ON-modus.....	20
Omgeving.....	35
Omgevingsomstandigheden.....	35
Onderhoud.....	45
Opbouw van de boiler.....	33

## P

Prestatie controleren.....	47
----------------------------	----

## R

Recyclen.....	31
---------------	----

---

**S**

Schakel de boiler in.....	41
Troubleshooting.....	49

---

**T**

Temperatuurregeling.....	21
--------------------------	----

---

**V**

Veiligheid.....	17, 27
Veiligheidsinstructies.....	27
Veiligheidsvoorzieningen.....	29
Verpakking.....	35
Vorbereiding.....	39, 45
Voorschriften.....	5
Preface.....	3
Vullen.....	41

---

**W**

Warmwateraansluiting.....	38
Wateraansluitingen.....	37
Watersamenstelling.....	36
Waterzijdig onderhoud.....	45
Werking.....	19
Werkingsprincipe.....	25



# Préface

FR

## Copyright

Copyright © 2021 A.O. Smith Water Products Company

Tous droits réservés.

Aucune partie de cette publication ne peut être copiée, reproduite et/ou publiée, par voie d'impression, de photocopie, ou par tout autre moyen que ce soit, sans l'approbation écrite préalable de A.O. Smith Water Products Company.

A.O. Smith Water Products Company se réserve le droit de modifier les caractéristiques techniques présentes dans ce manuel.

## Marques commerciales

Les noms de marques présents dans ce manuel sont des marques déposées de leurs propriétaires respectifs.

## Garantie

Reportez-vous à l'annexe [Garantie](#) (voir 11) pour connaître les conditions de la garantie.

## Responsabilité

### Utilisateur

A.O. Smith n'accepte aucune responsabilité lorsque le chauffe-eau n'est pas utilisé correctement et exige de l'utilisateur :

- de lire attentivement ce manuel et de suivre les instructions.
- de demander conseil à son installateur pour l'utilisation du chauffe-eau.
- d'assurer que les activités d'entretien et de maintenance sont effectuées par un technicien qualifié.
- de conserver le manuel, en bon état, près du chauffe-eau.

### Technicien d'installation

A.O. Smith n'accepte aucune responsabilité lorsque le chauffe-eau n'est pas utilisé correctement et exige du technicien d'installation :

- de lire attentivement ce manuel et de suivre les instructions.
- de s'assurer que l'ensemble de l'installation du chauffe-eau est conforme à la [réglementation](#) (à la page 5) en vigueur.
- de s'assurer que le chauffe-eau est testé avant la mise en service de l'installation.
- d'expliquer l'utilisation correcte à l'utilisateur.
- d'aviser l'utilisateur lorsque des activités d'entretien et de maintenance sont nécessaires.
- de s'assurer de remettre tous les manuels applicables.

## Fournisseur

Le chauffe-eau DRE est conçu conformément à la réglementation en vigueur. Le chauffe-eau est livré avec le marquage-CE et toute la documentation nécessaire au respect de cette réglementation. Voir la section sur la conformité.

A.O. Smith n'accepte aucune responsabilité pour les réclamations de tiers lorsque :

- les instructions pour l'installation correcte du chauffe-eau ne sont pas respectées.
- les instructions pour l'utilisation correcte du chauffe-eau ne sont pas respectées.
- le chauffe-eau n'était pas entretenu selon l'intervalle d'entretien approprié.

Pour plus d'informations, reportez-vous aux Conditions Générales de Vente. Celles-ci sont disponibles gratuitement sur demande.

Nous pensons que ce manuel vous apportera des descriptions précises et complètes de tous les composants concernés. Cependant, si vous détectez des erreurs ou des imprécisions dans ce manuel, veuillez en informer A.O. Smith. Cela nous aidera à améliorer plus avant notre documentation.

## Conformité

Pour produire en toute sécurité de l'eau chaude domestique, la conception et la construction des chauffe-eau DRE sont conformes :

- la Directive européenne 2014/35/UE relative aux appareils à basse tension (ABT),
- la Directive européenne 2014/30/UE sur la compatibilité électromagnétique (CEM),
- les Directives européennes 2011/65/UE et 2015/863/UE sur les substances dangereuses (RoHS II et RoHS III),
- la directive européenne 2009/125/CE relative à l'écoconception.

Reportez-vous à l'annexe Déclaration de conformité.

## Réglementations

En tant qu'installateur, technicien de service, technicien d'entretien ou utilisateur, vous devez vous assurer que l'ensemble de l'installation du chauffe-eau est conforme aux réglementations locales suivantes :

- réglementations en vigueur concernant les constructions de bâtiments ;
- directives concernant les installations électriques existantes, fournies par votre fournisseur d'énergie ;
- directives concernant les installations (électriques) et directives de mise en œuvre s'y rapportant ;
- directives concernant l'eau potable ;
- directives concernant l'élimination des eaux usées dans les bâtiments ;
- directives fournies par les services de sapeurs-pompier, les fournisseurs d'énergie et la municipalité.

L'installation doit être conforme aux exigences d'installation du fabricant.



---

### Note

Pour toutes les réglementations, exigences et directives, des suppléments ou modifications ultérieures et/ou des ajouts au moment de l'installation sont possibles.

---

## Coordonnées de contact

Pour tout commentaire ou toute question, veuillez contacter :

A.O. Smith Water Products Company

Adresse : PO Box 70  
5500 AB Veldhoven  
Pays-Bas

Téléphone : 008008 - AOSMITH  
008008 - 267 64 84

Général : +31 40 294 25 00

E-mail : info@aosmith.com

Site Internet FR: www.aosmith.fr

Site Internet BE: www.aosmith.be

En cas de problèmes concernant votre raccordement à l'électricité ou à l'eau, veuillez contacter votre fournisseur.



# À propos de ce manuel

## Étendue

Ce manuel fournit des informations concernant l'utilisation sûre et correcte du chauffe-eau et indique comment effectuer correctement les opérations d'installation et d'entretien. Vous devez respecter les instructions fournies dans ce manuel.



---

### Attention

Veillez lire ce manuel avec attention avant de démarrer le chauffe-eau. La non-lecture du manuel et/ou le non-respect des instructions peuvent entraîner des blessures personnelles et des dommages au niveau du chauffe-eau.

---

Ce manuel a pour but :

- de décrire les principes de fonctionnement et la structure du chauffe-eau ;
- d'expliquer les dispositifs de sécurité ;
- de mettre en évidence les dangers éventuels ;
- de décrire l'utilisation du chauffe-eau ;
- de décrire les tâches d'installation et d'entretien du chauffe-eau.

Ce manuel se divise en deux parties :

- une partie Utilisateur, qui décrit l'utilisation correcte du chauffe-eau ;
- une partie Installation et entretien, indiquant les procédures correctes d'installation et d'entretien.

## Groupe ciblé

Les informations contenues dans ce manuel s'appliquent à trois groupes cibles:

- utilisateurs
- techniciens d'installation
- techniciens d'entretien

La partie Utilisateur est destinée aux utilisateurs (finaux). La partie Installation et entretien est destinée aux techniciens d'installation et d'entretien.

## Conventions d'annotations

Ce manuel utilise les conventions textuelles suivantes :

- Les chiffres entre parenthèses, tels que (1), se rapportent aux éléments d'une illustration décrits par le texte.
- Les références croisées aux sections, tableaux, illustrations, etc., sont soulignées et indiquées de la façon suivante : (voir « ... »). Dans la version numérique, les références croisées sont des hyperliens sur lesquels vous pouvez cliquer pour naviguer dans le manuel. Exemple : Sécurité (voir 2)

Ce manuel contient les styles de texte et les symboles suivants pour les situations susceptibles de présenter des dangers pour les utilisateurs ou les techniciens et de causer des dommages aux équipements, ou qui nécessitent une attention spéciale :



---

**Note**

Une remarque donne davantage d'informations sur un sujet.

---



---

**Attention**

Veillez à respecter les instructions appelant à faire attention, afin d'éviter d'endommager le chauffe-eau.

---



---

**Avertissement**

Veillez à respecter les instructions d'avertissement, afin d'éviter tout risque de blessure personnelle et tout dommage grave au chauffe-eau.

---

## Identification du présent document

Référence	Langue	Version
0313851	FR	1.1

# Table des matières

FR

<b>Préface.....</b>	<b>3</b>
Copyright.....	3
Marques commerciales.....	3
Garantie.....	3
Responsabilité.....	3
Conformité.....	5
Réglementations.....	5
Coordonnées de contact.....	5
<b>À propos de ce manuel.....</b>	<b>7</b>
Étendue.....	7
Groupe ciblé.....	7
Conventions d’annotations.....	7
Identification du présent document.....	8
<b>Partie Utilisateur.....</b>	<b>13</b>
<b>1 Introduction.....</b>	<b>15</b>
<b>2 Sécurité.....</b>	<b>17</b>
<b>3 Fonctionnement.....</b>	<b>19</b>
3.1 Composants de commande.....	19
3.2 Modes de fonctionnement.....	19
3.2.1 Mode ARRÊT.....	19
3.2.2 Mode MARCHÉ.....	20
<b>4 Utilisation.....</b>	<b>21</b>
4.1 Mettre le chauffe-eau en marche.....	21
4.1.1 Réglage de la température.....	21
4.2 Mettre le chauffe-eau à l’arrêt.....	21
4.2.1 Mettre l’appareil à l’arrêt pour une courte durée.....	21
4.2.2 Mettre l’appareil à l’arrêt pour une longue durée.....	21

	<b>Partie Installation et entretien.....</b>	<b>23</b>
<b>5</b>	<b>Introduction.....</b>	<b>25</b>
5.1	À propos du chauffe-eau.....	25
5.2	Principe de fonctionnement.....	25
<b>6</b>	<b>Sécurité.....</b>	<b>27</b>
6.1	Instructions de sécurité.....	27
6.2	Instructions concernant le chauffe-eau.....	28
6.3	Dispositifs de sécurité.....	29
6.4	Aspects environnementaux.....	30
6.4.1	Recyclage.....	30
6.4.2	Mise au rebut.....	31
<b>7</b>	<b>Chauffe-eau.....</b>	<b>33</b>
7.1	Structure du chauffe-eau.....	33
<b>8</b>	<b>Installation.....</b>	<b>35</b>
8.1	Emballage.....	35
8.2	Conditions.....	35
8.2.1	Conditions ambiantes.....	35
8.2.2	Charge maximum au sol.....	35
8.2.3	Composition de l'eau.....	36
8.2.4	Espace de travail.....	36
8.3	Schéma d'installation.....	37
8.4	Raccords d'eau.....	37
8.4.1	Raccord d'eau froide.....	37
8.4.2	Raccord d'eau chaude.....	38
8.4.3	Raccord de circulation.....	38
8.5	Raccords électriques.....	38
8.5.1	Préparation.....	39
8.5.2	Alimentation secteur.....	40
8.5.3	Finalisation.....	40
8.6	Mise en service.....	41
8.6.1	Remplissage.....	41
8.6.2	Mettre le chauffe-eau en marche.....	41
8.7	Mise hors service.....	42
8.7.1	Mettre le chauffe-eau à l'arrêt.....	42
8.7.2	Purge.....	43
<b>9</b>	<b>Entretien.....</b>	<b>45</b>
9.1	Préparation.....	45



9.2	Entretien du côté eau.....	45
9.2.1	Inspecter l'anode.....	45
9.2.2	Détartre le réservoir.....	46
9.3	Vérification des performances.....	47
9.4	Finalisation.....	48
<b>10</b>	<b>Pannes.....</b>	<b>49</b>
10.1	Pannes générales.....	49
<b>11</b>	<b>Garantie.....</b>	<b>51</b>
	<b>Index.....</b>	<b>53</b>



# Partie Utilisateur



# 1

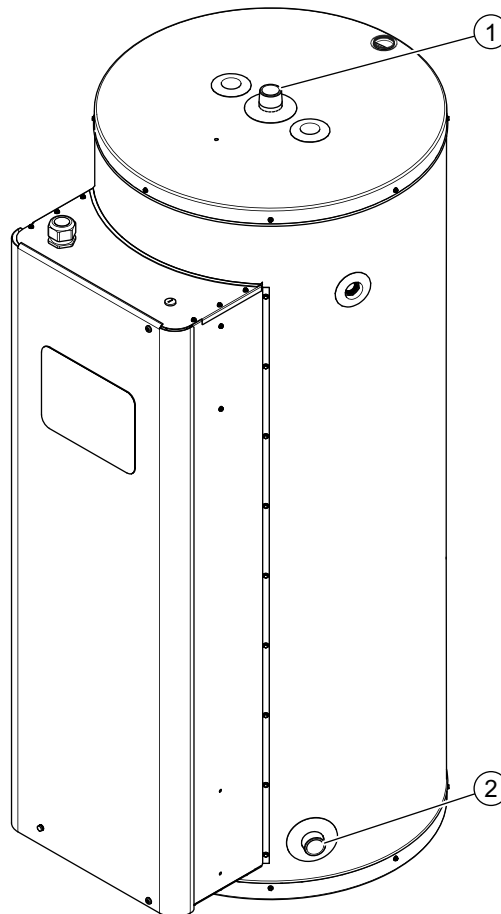
## Introduction

Le chauffe-eau DRE accumule et chauffe l'eau pour les besoins sanitaires.

L'eau froide pénètre dans le réservoir, via l'admission d'eau (2). L'eau chauffée quitte le réservoir par le haut, via la sortie eau chaude (1). Lorsque l'on utilise de l'eau chaude, le réservoir du chauffe-eau est rempli de la même quantité d'eau froide.

Pour faire fonctionner le chauffe-eau, on utilise le thermostat de commande, sur chaque rangée d'éléments chauffants.

*Illustration : chauffe-eau DRE*



1. Sortie d'eau
2. Admission d'eau



A.O. Smith ne saurait être tenu pour responsable des dommages ou blessures résultant des points suivants :

- le non-respect des instructions fournies dans ce manuel
- négligence pendant l'utilisation ou l'entretien du chauffe-eau.

Tous les utilisateurs doivent étudier la partie Utilisateur de ce manuel et respecter à la lettre les instructions présentes dans cette partie du manuel. Il ne faut pas modifier l'ordre des actions à réaliser. Ce manuel doit être mis à la disposition de l'utilisateur et du technicien d'entretien à tout moment.



---

**Avertissement**

Si vous détectez une odeur de brûlé :

- Coupez l'alimentation secteur.
- Fermez la vanne principale d'arrivée de gaz.
- Alerte les services d'urgence.



---

**Attention**

Ne stockez pas et n'utilisez pas de substances chimiques dans la pièce où est installé le chauffe-eau, car il y a alors un risque d'explosion et de corrosion du chauffe-eau. Certains gaz propulseurs, agents de blanchiment et agents de dégraissage, etc., émettent des vapeurs explosives et/ou entraînent une accélération de la corrosion. Si le chauffe-eau est utilisé dans une pièce dans laquelle des substances de ce genre sont utilisées ou stockées, la garantie devient nulle et non avenue.

**Attention**

L'installation et l'entretien doivent uniquement être réalisés par un technicien qualifié.

**Attention**

Le chauffe-eau n'est pas conçu pour être utilisé par des personnes dont les capacités physiques, sensorielles ou mentales sont limitées ou ne disposant pas de l'expérience et des connaissances nécessaires. Lorsque la personne responsable de leur sécurité supervise ou a expliqué comment utiliser le chauffe-eau, ces personnes sont autorisées à l'utiliser.

**Attention**

Ce chauffe-eau ne doit pas être utilisé par des enfants de moins de 16 ans. Les enfants doivent faire l'objet d'une surveillance permanente et il faut s'assurer qu'ils ne jouent pas avec le chauffe-eau.



---

**Note**

Un entretien régulier permet de rallonger la durée de vie utile du chauffe-eau. Pour déterminer les intervalles d'entretien appropriés, le technicien d'entretien doit vérifier le chauffe-eau trois mois après l'installation. Selon les résultats de cette vérification, il est possible de déterminer l'intervalle d'entretien optimal.

---





# 3

# Fonctionnement

## 3.1

## Composants de commande

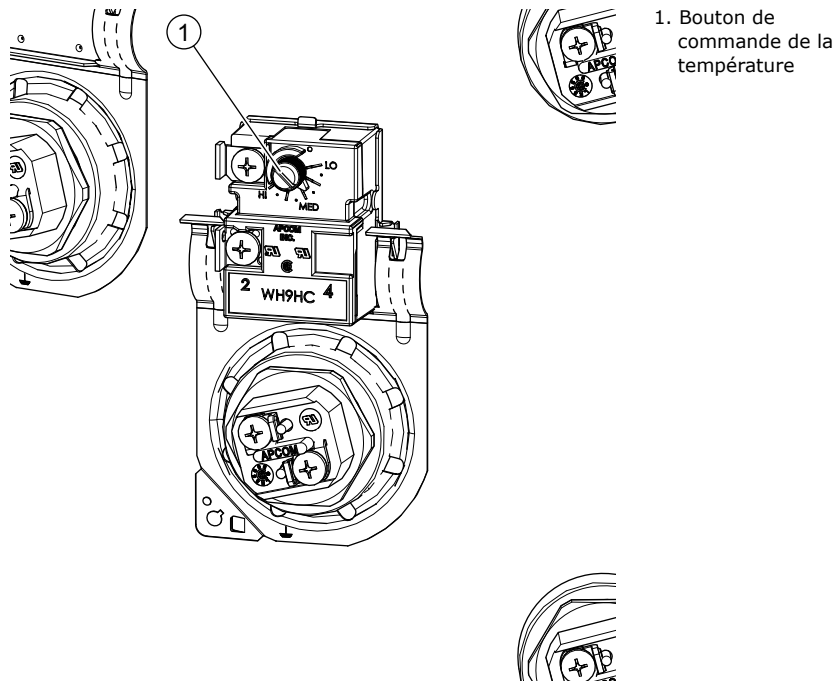
Chaque rangée de 3 éléments chauffants électriques dispose d'un thermostat de contrôle, placé au-dessus de l'élément chauffant central, avec un bouton de commande.



### Avertissement

Seuls les techniciens de maintenance qualifiés sont autorisés à modifier la température de consigne.

Illustration : Composants de commande



## 3.2

## Modes de fonctionnement

L'DRE dispose de deux modes de fonctionnement :

- Mode ARRÊT (voir 3.2.1)
- Mode MARCHÉ (voir 3.2.2)

### 3.2.1

### Mode ARRÊT

En **mode ARRÊT**, le chauffe-eau est désactivé. Le chauffe-eau est coupé de l'alimentation secteur.

En **mode ARRÊT**, le chauffe-eau n'est pas protégé contre le gel.

### 3.2.2

#### **Mode MARCHÉ**

En **mode MARCHÉ**, le chauffe-eau répond en permanence à la demande de chaleur. Les éléments chauffants électriques sont activés lorsqu'il y a une demande de chaleur.

FR

# 4 Utilisation

## 4.1 Mettre le chauffe-eau en marche



---

### Attention

Assurez-vous que le chauffe-eau est rempli d'eau avant d'allumer le chauffe-eau.

---

Mettez en marche le sectionneur entre le chauffe-eau et l'alimentation secteur pour démarrer le chauffe-eau.

### 4.1.1 Réglage de la température



---

### Avertissement

Seuls les techniciens de maintenance qualifiés sont autorisés à modifier la température de consigne.

---

## 4.2 Mettre le chauffe-eau à l'arrêt

### 4.2.1 Mettre l'appareil à l'arrêt pour une courte durée

Pour éteindre le chauffe-eau pour une période de moins de 2 mois, réglez le chauffe-eau en **mode ARRÊT** (voir 3.2.1).



---

### Note

Si le chauffe-eau reste en **mode ARRÊT** pendant plus de 2 mois et qu'il n'y a pas d'évacuation d'eau, des bulles d'air peuvent se former dans le chauffe-eau. Cela peut entraîner une pénétration d'air dans les tuyaux d'eau.

---

### 4.2.2 Mettre l'appareil à l'arrêt pour une longue durée

Si le chauffe-eau doit être mis à l'arrêt pendant plus de deux mois, contactez votre technicien d'entretien pour qu'il mette le chauffe-eau hors service.



# Partie Installation et entretien



# 5 Introduction

## 5.1 À propos du chauffe-eau

Le chauffe-eau DRE est prévu pour chauffer l'eau pour les besoins sanitaires.

Le DRE est un chauffe-eau électrique à accumulation. Les éléments chauffants électriques transfèrent leur chaleur directement à l'eau.

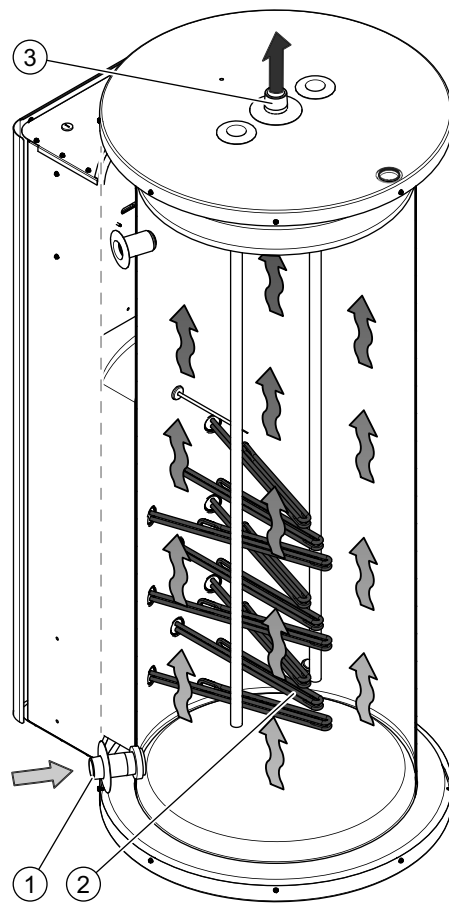
## 5.2 Principe de fonctionnement

L'eau froide pénètre dans la partie inférieure du réservoir, via l'admission d'eau (1). Les éléments chauffants (2) transfèrent leur chaleur directement à l'eau et l'eau chaude quitte le réservoir via la sortie eau chaude (3) située sur la partie supérieure du réservoir. Le réservoir du chauffe-eau doit être totalement rempli pendant le fonctionnement. Au moins le réservoir doit rester à tout moment sous pression d'alimentation en eau. De l'eau froide fraîche est immédiatement ajoutée lorsque l'eau chaude est tirée du chauffe-eau.

Selon le modèle, le chauffe-eau comporte 1, 2 ou 3 rangées de 3 éléments chauffants chacune. Chaque rangée est équipée d'un thermostat de contrôle, placé au-dessus de l'élément chauffant central. Ce thermostat mesure la température de l'eau à l'extérieur de

la cuve. Lorsque la température de l'eau descend en dessous de la température de consigne, les éléments chauffants sont activés et l'eau est chauffée.

*Illustration : chauffe-eau DRE*



1. Admission d'eau
2. Éléments chauffants
3. Sortie d'eau

FR



# 6

# Sécurité

## 6.1

### Instructions de sécurité

Pour obtenir les instructions de sécurité concernant l'utilisation du chauffe-eau, reportez-vous à la section Sécurité (voir 2), dans la partie Utilisateur de ce manuel.



---

**Avertissement**

Les tâches d'installation et d'entretien doivent être réalisées par des techniciens qualifiés, conformément aux réglementations générales et locales imposées par les sociétés de distribution de l'eau et de l'électricité et par les services de sapeurs-pompiers.

**Avertissement**

Le chauffe-eau doit être installé sur un sol ou une surface ininflammable.

**Avertissement**

Coupez le chauffe-eau de l'alimentation secteur avant d'entamer des tâches d'entretien ou de réparation. Laissez le chauffe-eau hors tension jusqu'à ce que vous soyez prêt à le mettre en service.



---

**Attention**

Le chauffe-eau ne doit être déplacé qu'en position verticale. Après le déballage, assurez-vous que le chauffe-eau n'est pas endommagé.

**Attention**

Remplissez complètement le chauffe-eau avant de l'utiliser. Un démarrage à sec endommagerait le chauffe-eau.

**Attention**

La protection d'anode demeure active lorsque le chauffe-eau est réglé sur le mode ARRÊT.

**Attention**

De l'eau peut s'écouler du tuyau de décharge du dispositif de décharge. Ce tuyau doit être laissé ouvert à l'atmosphère.

**Attention**

Faites fonctionner régulièrement le dispositif de décharge pour éliminer les dépôts calcaires et vérifier qu'il n'est pas obstrué.

**Attention**

Lors de l'installation du chauffe-eau, vous avez besoin d'un groupe de sécurité de l'ensemble d'admission. Le groupe de sécurité de l'ensemble d'admission et les raccords associés ne sont pas inclus dans l'emballage. Le groupe de sécurité de l'ensemble d'admission doit être adapté à un niveau de pression d'eau allant jusqu'à 800 kPa. Installez le groupe de sécurité d'ensemble d'admission le plus près possible du chauffe-eau.

---



---

**Avertissement**

N'installez jamais un obturateur ou un clapet anti-retour entre le groupe de sécurité d'ensemble d'admission et le chauffe-eau.

---



---

**Attention**

Le chauffe-eau est destiné à être raccordé au réseau d'eau de façon permanente. N'utilisez pas de jeu de tuyaux pour raccorder le chauffe-eau.

---



---

**Note**

Toute fuite présente au niveau du réservoir et/ou des raccordements peut endommager l'environnement immédiat ou les étages situés sous la chaufferie. Installez le chauffe-eau au-dessus d'un dispositif de purge des eaux usées ou dans un plateau métallique de réception des fuites approprié.

Le plateau doit disposer d'un dispositif de purge des eaux usées approprié et doit avoir une profondeur minimum de 5 cm et une largeur minimum supérieure de 5 cm à la largeur du chauffe-eau.

**Note**

Le chauffe-eau est fourni sans câble d'alimentation et sans sectionneur. Utilisez un câble d'alimentation avec des fils d'un diamètre approprié en fonction de la longueur du câble et du courant.

**Note**

Choisissez et installez un sectionneur omnipolaire de catégorie III avec un espace de contact d'au moins 3 mm. Le sectionneur omnipolaire doit être intégré dans le câblage fixe conformément aux règles de câblage.

---

## 6.2


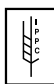

### Instructions concernant le chauffe-eau

Le boîtier du chauffe-eau présente des instructions de sécurité.

- Le texte « Lire les instructions d'installation avant d'installer l'appareil ».
- Le texte « Lire les instructions utilisateur avant de mettre l'appareil en marche ».
- Le texte « Câbles sous tension à l'intérieur ! Mettez l'appareil complètement hors tension (par l'isolateur local) avant d'ouvrir la porte extérieure pour accéder aux composants électriques. »
- Le texte « Vérifiez tous les raccordements électriques à vis avant la mise en service et après toute opération d'entretien ou de maintenance. »
- Le texte « Des soupapes de température et de pression doivent être installées aux points de raccordement désignés. »
- Le texte « Une soupape de décharge doit être montée sur le circuit d'alimentation en eau froide. »
- Le texte « La garantie sera caduque si l'appareil n'est pas entretenu conformément aux instructions de maintenance et si la qualité de l'eau ne répond pas aux critères des réglementations mentionnées dans les instructions d'installation. »

L'emballage comporte également des instructions de sécurité.

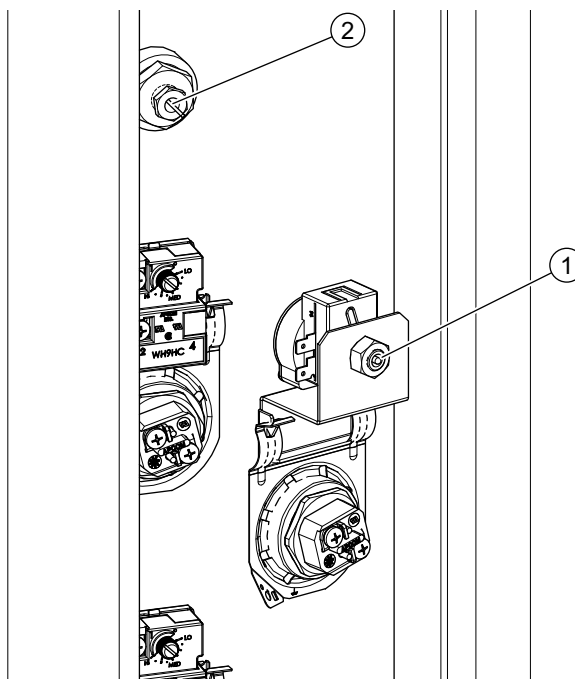
- Le texte « Lire les instructions d'installation avant d'installer l'appareil ».
- Le texte « Lire les instructions utilisateur avant de mettre l'appareil en marche ».
- Des pictogrammes de sécurité :

	Marqué CE
	Emballage conforme à la norme NIMP 15
	<u>Apportez l'appareil dans un dépôt municipal dédié à la collecte des déchets électriques et électroniques</u> (voir 6.4.2)

## 6.3

## Dispositifs de sécurité

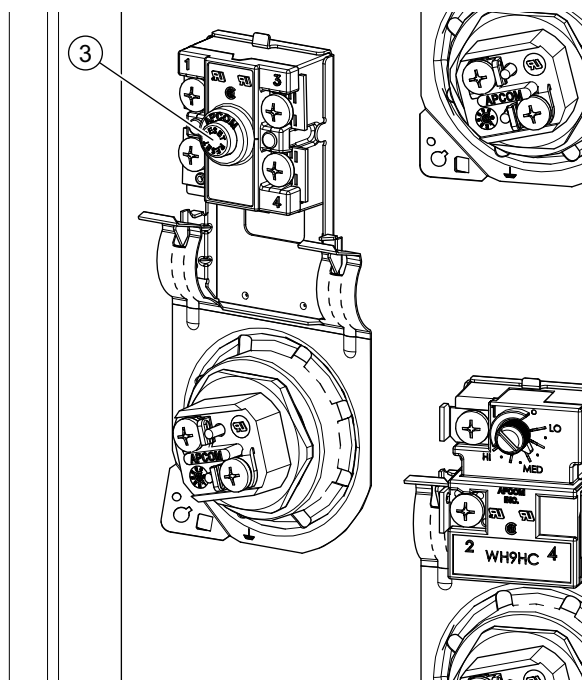
Illustration Thermostat de sécurité principal



1. Thermostat de sécurité principal - corps
2. Thermostat de sécurité principal - sonde

FR

Illustration Thermostat de sécurité de rangée



3. Thermostat de sécurité de rangée

## Dispositifs de sécurité du chauffe-eau :

<b>Thermostat de sécurité principal (G1)</b>	Le thermostat de sécurité principal (G1) coupe le circuit de commande lorsque la température de l'eau est trop élevée ( $>92^{\circ}\text{C} \pm 3^{\circ}\text{C}$ ). Le thermostat de sécurité protège également les éléments chauffants lorsque le chauffe-eau est mis en marche alors qu'il n'est pas rempli d'eau. La sonde du thermostat de sécurité principal (G1) est installée au-dessus de l'élément central de la rangée la plus haute. Vous pouvez utiliser le bouton blanc sur le corps du thermostat pour réinitialiser manuellement le thermostat lorsque la température de l'eau a baissé ( $<83^{\circ}\text{C}$ ). Assurez-vous que le chauffe-eau est complètement rempli d'eau avant de réinitialiser le thermostat.
<b>Thermostat de sécurité de rangée (G2)</b>	Le thermostat de sécurité de rangée (G2) coupe le circuit (L1 et L2) de chaque rangée d'éléments lorsque la température de l'eau devient trop élevée ( $>93^{\circ}\text{C} \pm 3^{\circ}\text{C}$ ) en raison d'une défaillance du circuit de commande. Vous pouvez utiliser le bouton rouge pour réinitialiser manuellement le thermostat lorsque la température de l'eau a baissé ( $<83^{\circ}\text{C}$ ).
<b>Fusible thermique</b>	Le fusible thermique est intégré dans le câblage du thermostat de sécurité principal (G1) et coupe le circuit de commande lorsqu'il détecte une surchauffe de la zone des éléments. Le fusible thermique ne peut pas être réinitialisé. Le câblage complet, avec le fusible thermique, doit être remplacé.

## Dispositifs de sécurité de l'installation :

<b>Réducteur de pression</b>	Le réducteur de pression réduit la pression d'alimentation en eau, si nécessaire.
<b>Soupape température et pression (TP) (1)</b>	la soupape température et pression empêche les augmentations excessives de pression et de température dans le réservoir.

1- Toutes les installations sont dotées d'un raccord pour soupape TP. L'utilisation d'une soupape TP est obligatoire.

## 6.4

## Aspects environnementaux

### 6.4.1

### Recyclage



Le matériau d'emballage est écologique, recyclable et relativement facile à mettre au rebut.

## 6.4.2

### Mise au rebut



Les vieux appareils en fin de vie contiennent des matériaux devant être recyclés. Lorsque vous mettez au rebut des appareils arrivés à la fin de leur durée de vie utile, vous devez respecter la législation locale se rapportant à la mise au rebut des déchets.

Ne mettez jamais votre ancien appareil au rebut avec les déchets ménagers. Apportez l'appareil dans un dépôt municipal dédié à la collecte des déchets électriques et électroniques. Si nécessaire, demandez conseil à votre fournisseur ou à votre technicien d'entretien.



# 7

# Chauffe-eau

## 7.1

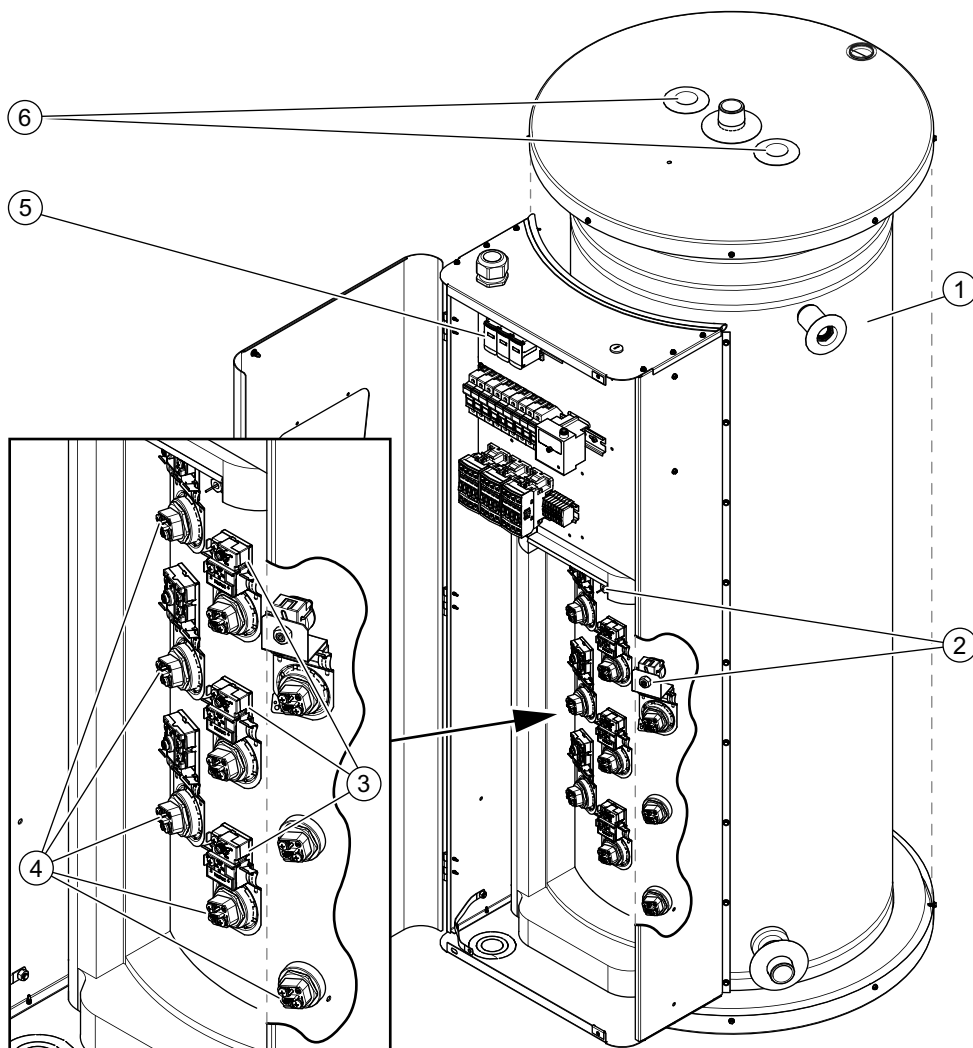
## Structure du chauffe-eau

Le chauffe-eau comporte les composants principaux suivants :

**Réservoir (1)** L'eau est stockée et chauffée dans le réservoir.

**Éléments chauffants (4)** L'eau est chauffée par les éléments chauffants.

*Illustration : Composants du chauffe-eau*



1. Réservoir
2. Thermostat de Sécurité Principal
3. Thermostat de Controlé de Rangeé
4. Éléments Chauffants
5. Contrôle Bloc de Raccordement Électrique
6. Anodes





# 8

# Installation



---

**Avertissement**

L'installation doit être réalisée par une personne qualifiée, conformément aux règlementations (à la page 5) générales et locales en vigueur.

---



---

**Attention**

N'utilisez pas le chauffe-eau dans des pièces où sont stockées ou utilisées des substances chimiques, car il y a alors un risque d'explosion ou de corrosion du chauffe-eau. Certains gaz propulseurs, agents de blanchiment et agents de dégraissage, etc., émettent des vapeurs explosives et/ou entraînent une accélération de la corrosion. Si le chauffe-eau est utilisé dans une pièce dans laquelle des substances de ce genre sont utilisées ou stockées, la garantie devient nulle et non avenue.

---

Pour obtenir des instructions de sécurité supplémentaires, reportez-vous à la section Instructions de sécurité (voir 6.1).

## 8.1

### Emballage

A.O. Smith vous recommande de déballer le chauffe-eau à l'endroit où il doit être installé ou à proximité de cet endroit. Retirez le matériau d'emballage avec précaution pour ne pas endommager le chauffe-eau.

## 8.2

### Conditions



---

**Avertissement**

Le chauffe-eau doit être installé sur un sol ou une surface ininflammable.

---

### 8.2.1

#### Conditions ambiantes

Le site d'installation ne doit pas soumis au gel. Si nécessaire, adaptez le site d'installation pour qu'il ne gèle pas.

Assurez-vous que les conditions ambiantes sont adaptées pour éviter tout dysfonctionnement des parties électroniques du chauffe-eau.

<b>Humidité de l'air et température ambiante</b>	
Humidité de l'air	Max. 93 % RH à + 25 °C
Température ambiante	Plage de fonctionnement : 0 < T < 40 °C

### 8.2.2

#### Charge maximum au sol

Reportez-vous au constructeur du bâtiment et aux spécifications générales présentes dans les annexes pour vous assurer que la charge maximum au sol est suffisante pour supporter le poids du chauffe-eau.

### 8.2.3

### Composition de l'eau

L'eau doit être conforme aux réglementations en matière d'eau potable pour la consommation humaine.

Composition de l'eau	
Dureté de l'eau	> 1,00 mmol/l : <ul style="list-style-type: none"><li>- Dureté allemande &gt; 5,6° dH</li><li>- Dureté française &gt; 10,0° fH</li><li>- Dureté anglaise &gt; 7,0° eH</li><li>- CaCO<sub>3</sub> &gt; 100 ppm</li></ul>
Conductivité	> 125 µS/cm
Acidité (valeur du pH)	7,0 - 9,5



#### Note

La qualité de l'eau peut nuire à l'efficacité, au rendement et à la durée de vie du chauffe-eau, voir la [Garantie](#). (à la page 3) Si les spécifications de l'eau diffèrent de celles indiquées dans le tableau, un spécialiste du traitement de l'eau devrait être consulté.

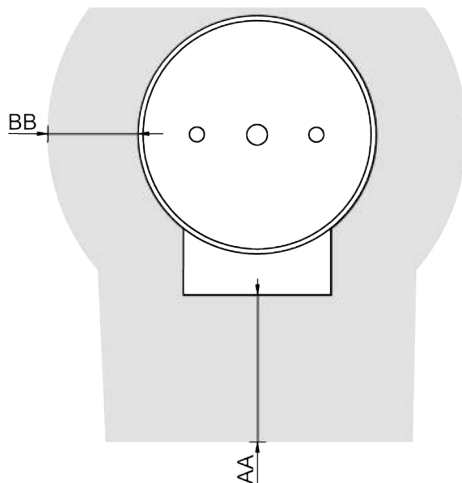
### 8.2.4

### Espace de travail

Vérifiez qu'il y a un espace suffisant pour accéder au chauffe-eau :

- 100 cm devant le chauffe-eau (AA).
- 50 cm à gauche et à droite du chauffe-eau (BB).
- 100 cm au-dessus du chauffe-eau.

*Illustration : Espace de travail*

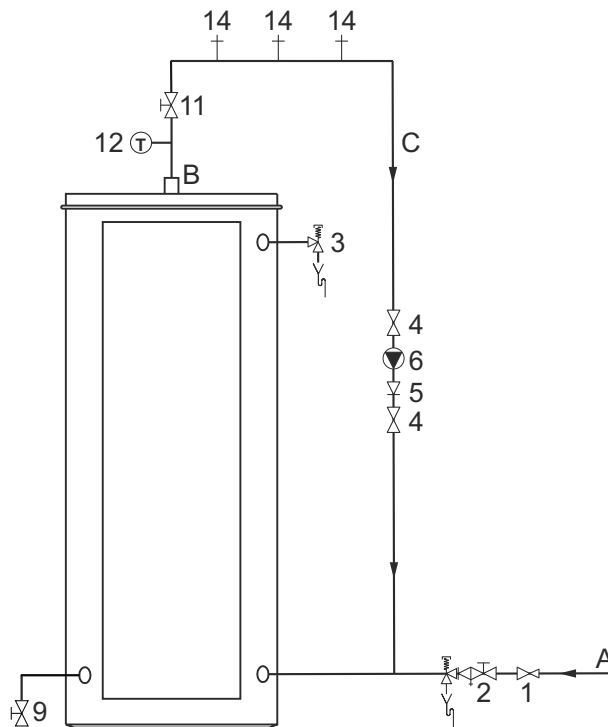


IMD-1449 R0

## 8.3

## Schéma d'installation

Illustration : Schéma d'installation



1. Réducteur de pression (obligatoire si la pression d'alimentation en eau est trop élevée)
  2. Groupe de sécurité de l'ensemble d'admission
  3. Soupape TP (obligatoire)
  4. Obturateur (recommandé)
  5. Clapet anti retour
  6. Pompe de circulation (option)
  9. Robinet de vidange
  11. Obturateur d'entretien
  12. Thermomètre (option)
  14. Point de vidange
- A. Alimentation en eau froide  
B. Sortie eau chaude  
C. Conduite de circulation (option)



### Note

Utilisez ce schéma d'installation pour :

- installer les raccords d'eau (voir 8.4) ;
- remplir le chauffe-eau ; (voir 8.6.1)
- purger le chauffe-eau.

## 8.4

## Raccords d'eau

### 8.4.1

### Raccord d'eau froide



#### Attention

Lors de l'installation du chauffe-eau, vous avez besoin d'un groupe de sécurité de l'ensemble d'admission. Le groupe de sécurité de l'ensemble d'admission et les raccords associés ne sont pas inclus dans l'emballage. Le groupe de sécurité de l'ensemble d'admission doit être adapté à un niveau de pression d'eau allant jusqu'à 800 kPa. Installez le groupe de sécurité d'ensemble d'admission le plus près possible du chauffe-eau.



#### Avertissement

N'installez jamais un obturateur ou un clapet anti-retour entre le groupe de sécurité d'ensemble d'admission et le chauffe-eau.

#### Avertissement

Le chauffe-eau est destiné à être raccordé au réseau d'eau de façon permanente. N'utilisez pas de jeu de tuyaux pour raccorder le chauffe-eau.

Installer le raccord d'eau froide

1. Si la pression d'alimentation en eau est trop élevée, installez un clapet de décharge (1). Reportez-vous à la section Détails techniques.
2. Installez un groupe de sécurité d'ensemble d'admission (2).
3. Raccordez le raccord de débordement du groupe de sécurité d'ensemble d'admission à un tuyau d'eaux usées ouvert.

## 8.4.2

### Raccord d'eau chaude

---



**Note**

Isolez les longs tuyaux d'eau chaude pour éviter toute perte inutile d'énergie.

**Note**

L'utilisation d'une soupape TP est obligatoire.

---

Installer le raccord d'eau chaude

1. Installez un obturateur (11) dans le tuyau de sortie eau chaude pour effectuer des tâches d'entretien.
2. Installez une soupape température et pression (3).
3. Le cas échéant, installez un thermomètre (12).

## 8.4.3

### Raccord de circulation

---

Installez un système de circulation si un débit immédiat d'eau chaude est requis aux points de vidange. Cela améliore le confort et réduit le gaspillage d'eau.



**Note**

Raccordez la conduite de circulation (C) au raccord d'arrivée d'eau froide.

**Note**

Assurez-vous que la pompe de circulation présente le bon niveau de capacité pour la longueur et la résistance du système de circulation.

---

Installer une pompe de circulation

1. Installez une pompe de circulation (6).
2. Installez un clapet anti-retour (5) en aval de la pompe de circulation, pour garantir le sens de circulation.
3. Installez un obturateur (4) en amont de la pompe de circulation.
4. Installez un obturateur (4) en aval du clapet anti retour.
5. Raccordez la conduite de circulation (C) à l'entrée d'eau froide, entre le chauffe-eau et le groupe de sécurité de l'ensemble d'admission (2).

## 8.5

### Raccords électriques

---



**Avertissement**

Laissez le chauffe-eau hors tension jusqu'à ce que vous soyez prêt à le mettre en service.

---

## 8.5.1

### Préparation

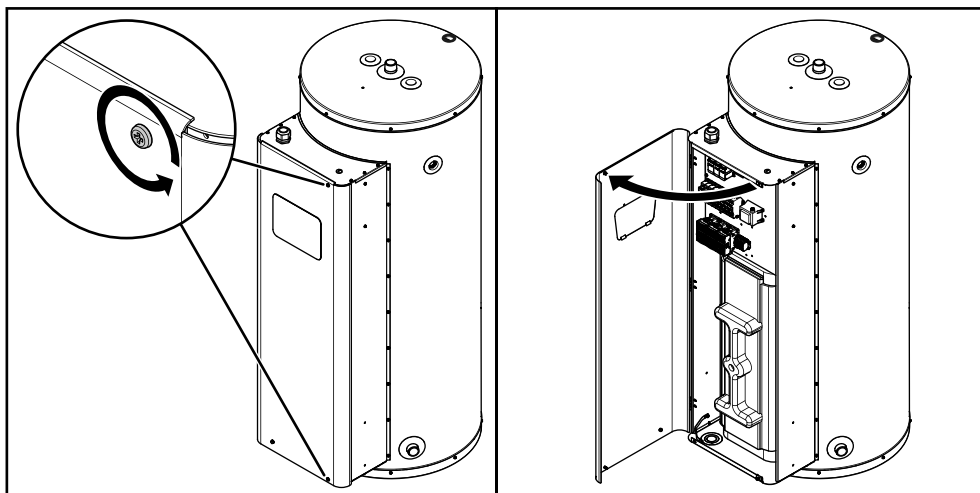
Ouvrez la porte du chauffe-eau pour rendre visibles la section électrique et le bloc de raccordement électrique.



#### Avertissement

Câbles sous tension à l'intérieur ! Mettez l'appareil complètement hors tension (par l'isolateur local) avant d'ouvrir la porte extérieure pour accéder aux composants électriques.

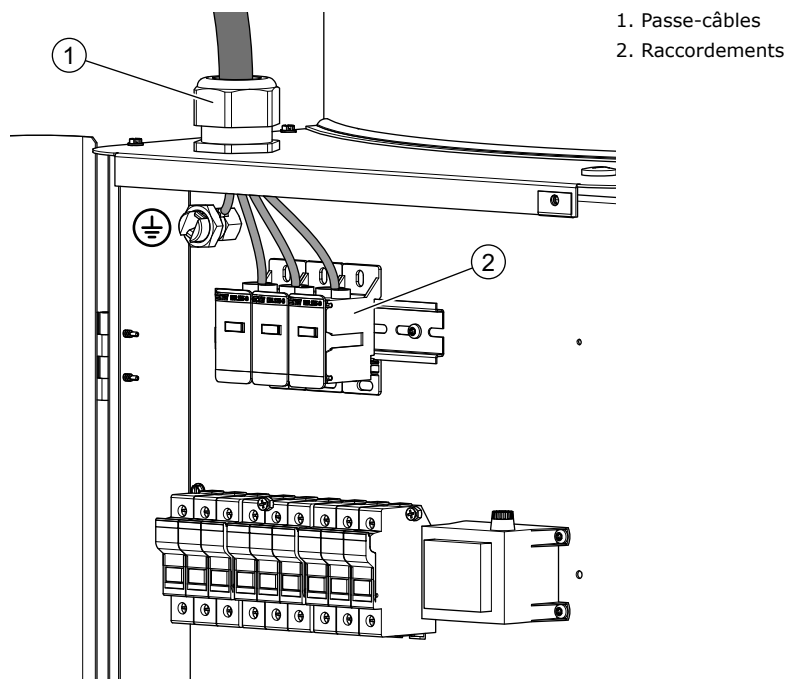
Illustration Ouvrez la porte



FR

Les raccordements d'alimentation secteur doivent être raccordés au bloc de raccordement électrique. Reportez-vous à la section Structure du chauffe-eau (voir 7.1).

Illustration : Bloc de raccordement électrique



## 8.5.2

### Alimentation secteur



#### Note

Le chauffe-eau est fourni sans câble d'alimentation et sans sectionneur. Utilisez un câble d'alimentation avec des fils d'un diamètre approprié en fonction de la longueur du câble et du courant.

#### Note

Choisissez et installez un sectionneur omnipolaire de catégorie III avec un espace de contact d'au moins 3 mm. Le sectionneur omnipolaire doit être intégré dans le câblage fixe conformément aux règles de câblage.

#### Note

Ce sectionneur doit être installé dans la même pièce que l'appareil, avec un marquage approprié et à une distance maximale d'un mètre du chauffe-eau.

#### Note

La longueur du fil de terre du secteur, qui est relié au raccordement électrique, doit être plus longue que le fil de phase du secteur (L1, L2 et L3).

Raccorder le chauffe-eau à l'alimentation secteur

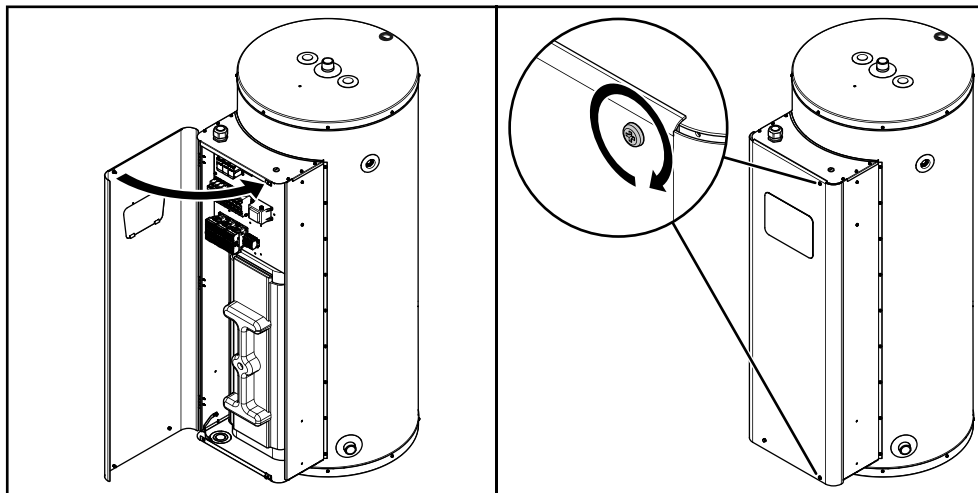
1. Tirez le câble d'alimentation à travers le passe-câble.
2. Connectez le fil sous tension (L1, L2 et L3) et le fil de terre (A) du câble d'alimentation aux bornes du bornier.
3. Raccordez le câble d'alimentation à l'isolateur.
4. Fixez le câble d'alimentation dans le passe-câble.

## 8.5.3

### Finalisation

Lorsque tous les raccordements sont terminés, fermez la porte du chauffe-eau.

*Illustration : Mise en place du couvercle*



## 8.6

## Mise en service

Pour mettre le chauffe-eau en service :

1. Remplissez le chauffe-eau (voir 8.6.1)
2. Mettre le chauffe-eau en marche

### 8.6.1

### Remplissage

Reportez-vous au schéma d'installation lors du remplissage du chauffe-eau :

1. Si présente, ouvrez les vannes d'arrêt (4) dans la conduite de circulation (C).
2. Assurez-vous que le robinet de vidange (9) est fermé.
3. Ouvrez le point de prélèvement d'eau chaude (14) le plus proche.
4. Ouvrez la vanne du groupe de sécurité d'ensemble d'admission (2) dans le tuyau d'alimentation en eau froide (A). De l'eau froide entre dans le chauffe-eau.
5. Remplissez le chauffe-eau jusqu'à ce qu'un jet d'eau complet s'écoule du point de vidange le plus proche. Le chauffe-eau est totalement plein.
6. Ouvrez tous les points de vidange pour fuir l'ensemble de l'installation.  
Le chauffe-eau est maintenant sous pression d'alimentation d'eau.
7. Assurez-vous qu'il n'y ait pas d'eau sortant du clapet de décharge du groupe de sécurité d'ensemble d'admission (2) ou de la soupape température et pression (3). Si de l'eau s'écoule :
  - Vérifiez si la pression d'alimentation en eau est supérieure à la valeur spécifiée dans les Détails techniques. Si nécessaire, installez un réducteur de pression (1).
  - Vérifiez si le clapet de décharge du groupe de sécurité d'ensemble d'admission de l'installation d'alimentation en eau froide protégée est installé correctement et s'il n'est pas défectueux. Si nécessaire, remplacez le clapet de surpression.
8. Fermez tous les points de prélèvement d'eau chaude.

### 8.6.2

### Mettre le chauffe-eau en marche



---

**Avertissement**

Assurez-vous que le chauffe-eau est coupé de l'alimentation secteur avant d'ouvrir la porte du chauffe-eau pour modifier le réglage de la température.

---



---

**Attention**

Assurez-vous que le chauffe-eau est rempli d'eau avant d'allumer le chauffe-eau.

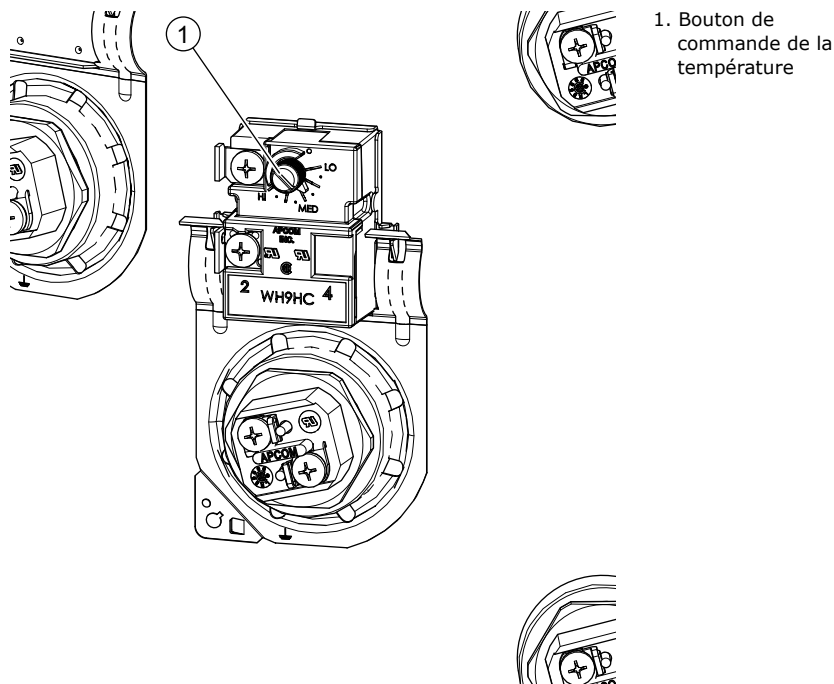
**Attention**

Réglez de préférence les commandes de température sur 60 °C. L'entartrage nocif et l'accumulation de calcaire seront plus élevés lorsque vous réglez les boutons sur 65 °C et plus. À des températures plus basses, le risque de fortes concentrations de légionelles dans l'eau est plus élevé.

**Attention**

Vérifiez toujours la température de l'eau à un point de prélèvement après avoir modifié le réglage de la température.

---



Pour mettre le chauffe-eau en marche :

1. Vérifiez que le chauffe-eau n'est pas raccordé à l'alimentation secteur.
2. Ouvrez la porte du chauffe-eau.



**Avertissement**

Câbles sous tension à l'intérieur ! Mettez l'appareil complètement hors tension (par l'isolateur local) avant d'ouvrir la porte extérieure pour accéder aux composants électriques.

3. Retirez le matériau isolant.
4. Sur chaque rangée d'éléments chauffants, tournez le bouton de commande de température au réglage de la température désirée.

Réglage	Température
O	57 °C
LO	60 °C
MED	72 °C
HI	83 °C

5. Installez le matériau isolant.
6. Fermez la porte du chauffe-eau.
7. Raccordez le chauffe-eau à l'alimentation secteur

## 8.7

### Mise hors service

Pour mettre le chauffe-eau hors service

1. Mettez le chauffe-eau à l'arrêt (voir 8.7.1)
2. Purgez le chauffe-eau

#### 8.7.1

#### Mettre le chauffe-eau à l'arrêt

Reportez-vous à la procédure indiquée dans la partie Utilisateur pour Mettre le chauffe-eau à l'arrêt (voir 4.2) et isoler le chauffe-eau de l'alimentation secteur.



## 8.7.2

### Purge

Reportez-vous au schéma d'installation lors de la purge du chauffe-eau :

1. Le cas échéant, fermez l'obturateur d'entretien (11) dans le tuyau d'alimentation en eau chaude.
2. Si présente, fermez les vannes d'arrêt (4) dans la conduite de circulation (C).
3. Fermez la vanne (2) du groupe de sécurité d'ensemble d'admission (A).
4. Ouvrez le robinet de vidange (9).
5. Ventilez l'air de l'ensemble de l'installation jusqu'à ce que le chauffe-eau ait été entièrement purgé.
6. Si le chauffe-eau doit être complètement vidangé, débranchez-le et inclinez-le dans la direction du robinet de vidange.



# 9

# Entretien

Le chauffe-eau doit être entretenu au moins une fois par an. L'intervalle d'entretien est déterminé en fonction de la qualité de l'eau, des heures de fonctionnement moyennes par jour et de la température d'eau réglée.

Pour déterminer l'intervalle correct, A.O. Smith recommande d'effectuer un contrôle du système trois mois après l'installation.



---

**Note**

L'entretien est nécessaire pour conserver un transfert de chaleur efficace vers l'eau. Cela augmente de façon importante la durée de vie utile du chauffe-eau.

**Note**

Si nécessaire, il est possible de commander des pièces de rechange. Pour vous assurer de recevoir les bonnes pièces de rechange, reportez-vous à la plaque signalétique pour connaître le numéro de série et le modèle du chauffe-eau. Utilisez ces informations lorsque vous commandez les pièces de rechange.

---

Réalisez les activités d'entretien suivantes :

- [Préparation](#) (voir 9.1)
- [Entretien du côté eau](#) (voir 9.2)
- [Vérification des performances](#) (voir 9.3)
- [Finalisation](#) (voir 9.4)

## 9.1

### Préparation

Isolez le chauffe-eau de l'alimentation secteur avant d'entamer des tâches d'entretien.

## 9.2

### Entretien du côté eau

Pour réaliser l'entretien du côté eau :

- [Inspecter l'anode](#) (voir 9.2.1)
- [Détartre le réservoir](#)

### 9.2.1

#### Inspecter l'anode

La durée de vie de l'anode est déterminée par la qualité et la quantité d'eau qui traverse le chauffe-eau. Inspectez l'anode au moins une fois par an pour vous assurer que le réservoir est protégé contre la corrosion.

Pour inspecter l'anode :

1. Fermez le réducteur de pression dans l'alimentation en eau froide.
2. Ouvrez le robinet d'eau chaude le plus proche pour réduire la pression de l'eau dans le chauffe-eau.
3. Utilisez une clé pour desserrer l'anode.
4. Retirez l'anode du chauffe-eau.

5. Contrôlez le volume de l'anode. Lorsque l'anode est consommée à 60 % ou plus, remplacez l'anode.



---

**Note**

Si l'anode doit être remplacée, utilisez toujours une anode du même type. Veuillez vous référer au type et au numéro de série sur la plaque signalétique.

---

6. Placez l'anode dans le chauffe-eau.
7. Utilisez une clé pour fixer l'anode. Assurez-vous que le raccordement est étanche à l'eau.



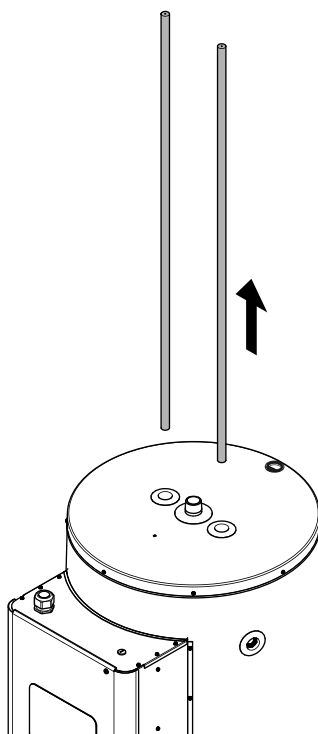
---

**Note**

Ne jamais installer une anode isolée du réservoir métallique.

---

*Illustration Inspecter l'anode*



## 9.2.2

### Détartre le réservoir

---

**Note**

L'eau dure peut provoquer la formation de tartre, ce qui réduit l'efficacité de fonctionnement et peut entraîner une défaillance précoce du produit. La défaillance du chauffe-eau due au calcaire ou à d'autres dépôts ne serait pas considérée comme un défaut de fabrication et ne serait donc pas couverte par les termes de la garantie (à la page 3).

**Note**

Avant le remontage, remplacez les joints d'étanchéité. Vous devez commander ces joints chez votre fournisseur. Consultez la plaque signalétique pour obtenir les informations de commande correctes.

---

Pour détartre et nettoyer le réservoir :

1. Mettre le chauffe-eau hors service (voir 8.7).



- Ouvrez la porte du chauffe-eau.

---

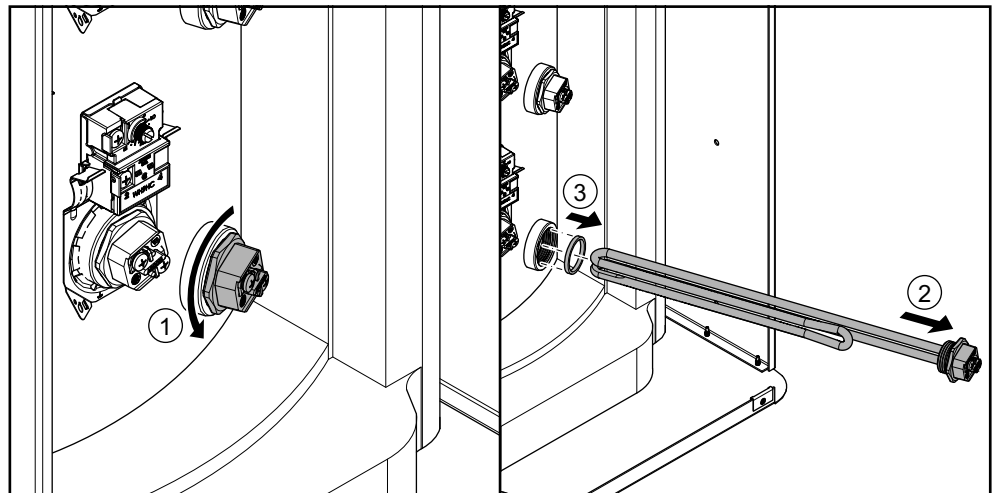
**Avertissement**

Câbles sous tension à l'intérieur ! Mettez l'appareil complètement hors tension (par l'isolateur local) avant d'ouvrir la porte extérieure pour accéder aux composants électriques.

---

- Retirez le matériau isolant.
- Retirez l'élément chauffant le plus bas :
  - Desserrez les fils électriques de terre (A) et de phase (L) sur l'élément.
  - Desserrez l'élément chauffant.
  - Sortez l'élément chauffant du chauffe-eau.  
Rangez-le avec précaution.
- Inspectez le réservoir par l'ouverture pour détecter la présence de calcaire.
- En cas de présence de calcaire :
  - Retirez les éléments chauffants suivants.  
Commencez par l'élément chauffant le plus bas.
  - Utilisez un produit détartrant pour éliminer le tartre et la contamination.  
Contactez le fournisseur de votre chauffe-eau pour obtenir des conseils sur l'agent de détartrage à utiliser.
- Nettoyez les éléments chauffants.
- Remplacez le joint d'étanchéité.
- Mesurez la valeur de la résistance entre les deux connexions de chaque élément chauffant..  
La valeur doit être d'environ 19 +/- 4 Ohms pour des éléments de 3 kW 10 +/- 2 Ohms pour des éléments de 6 kW .
- Installez tous les éléments chauffants :
  - Placez l'élément dans le réservoir.
  - Serrez l'élément chauffant.
  - Raccordez les fils électriques de terre (A) et de phase (L) sur l'élément.
- Remettez en place le matériau isolant.
- Fermez la porte.
- Remplissez le chauffe-eau (voir 8.6.1).

*Illustration Retrait d'un élément chauffant*



## 9.3

### Vérification des performances

Vérifiez que la tension d'alimentation du contrôleur est correcte :

- Ouvrez la porte du chauffe-eau.



---

**Avertissement**

Câbles sous tension à l'intérieur ! Mettez l'appareil complètement hors tension (par le sectionneur local) avant d'ouvrir la porte extérieure pour accéder aux composants électriques.

---

2. Retirez le matériau isolant.
3. Mesurez la valeur de la résistance entre les deux connexions de chaque élément chauffant..  
La valeur doit être d'environ 19 +/- 4 Ohms pour des éléments de 3 kW 10 +/- 2 Ohms pour des éléments de 6 kW .
4. Remplacez l'élément chauffant si la valeur de la résistance n'est pas correcte.
  - a) Mettre le chauffe-eau hors service (voir 8.7).
  - b) Desserrez les fils électriques de terre (A) et de phase (L) sur l'élément.
  - c) Desserrez l'élément chauffant.
  - d) Retirez l'élément chauffant du chauffe-eau.
  - e) Placez un élément neuf dans le réservoir.
  - f) Serrez l'élément chauffant.
  - g) Raccordez les fils électriques de terre (A) et de phase (L) sur l'élément.
5. Vérifiez que tous les câbles sont raccordés correctement.
6. Assurez-vous que toutes les connexions électriques à vis sont bien serrées.
7. Remettez en place le matériau isolant.
8. Fermez la porte.
9. Si nécessaire, remplissez le chauffe-eau (voir 8.6.1).

## 9.4

### Finalisation

Lorsque toutes les opérations de maintenance sont terminées :

1. Si nécessaire, remplissez le chauffe-eau (voir 8.6.1).
2. Mettez le chauffe-eau en marche (voir 4.1).
3. Vérifiez si les performances de tous les composants sont correctes :
  - a) Assurez-vous que le chauffe-eau exécute son cycle de fonctionnement correctement.
  - b) Le cas échéant, vérifiez le bon fonctionnement de la soupape TP. Ouvrez la soupape TP et vérifiez que l'eau jaillit.




---

#### Avertissement

Il se peut que de l'eau chaude sorte de la soupape TP.

---

- c) Vérifiez que le raccord de décharge de pression du groupe de sécurité de l'ensemble d'admission fonctionne correctement. Ouvrez cette décharge de pression et assurez-vous que l'eau jaillit.

# 10 Pannes

## 10.1 Pannes générales

**Note**

Pour le codage des raccordements, reportez-vous au schéma de câblage électrique.

Indication	Cause	Mesure
<b>Fuite d'eau</b>	Il y a une fuite provenant d'un raccord d'eau fileté.	Serrez le raccord fileté.
	Il y a une fuite provenant d'un autre chauffe-eau ou d'un segment de tuyauterie situé à proximité.	Établissez l'origine de la fuite.
	Il y a une fuite provenant du réservoir du chauffe-eau.	Contactez le fournisseur de votre chauffe-eau.
<b>Quantité d'eau chaude insuffisante ou pas d'eau chaude</b>	Le chauffe-eau est hors tension.	Mettez le chauffe-eau en marche (voir 4.1).
	La température est réglée à un niveau trop bas.	Réglez les thermostats de régulation à un niveau plus élevé.
	Il n'y a pas de tension d'alimentation.	Vérifiez que : <ul style="list-style-type: none"><li>- le coupe-circuit est réglé sur <b>ON</b>.</li><li>- il y a du courant électrique au niveau du coupe-circuit ;</li><li>- il y a du courant électrique au niveau du bloc de raccordement électrique.</li></ul> La tension mesurée doit être de 400 V <sub>CA</sub> (-15 %, +10 %).
	La réserve d'eau chaude est épuisée.	Réduisez la consommation d'eau chaude. Attendez que le chauffe-eau soit chaud.
	Un dispositif de sécurité est activé.	<ul style="list-style-type: none"><li>- Vérifiez que la tension entre les connexions des éléments chauffants est de 230V<sub>CA</sub> (-15%, +10%).</li><li>- Reportez-vous à l'indication « Un dispositif de sécurité est activé », page suivante.</li></ul>

Indication	Cause	Mesure
<b>Le disjoncteur de fuite à la terre s'est déclenché</b>	Il n'y a pas assez d'eau dans le réservoir.	- Assurez-vous que le chauffe-eau est rempli d'eau.
	L'un des éléments chauffants est défectueux.	- Mesurez la valeur de la résistance entre chaque connexion d'élément chauffant et l'extérieur du réservoir. La valeur doit être infinie. - Déterminez quel élément est défectueux.
<b>Un dispositif de sécurité est activé</b>	Le thermostat de sécurité principal (G1) est activé.	- Assurez-vous que le chauffe-eau est complètement rempli. - Purgez l'eau pour faire baisser la température dans le chauffe-eau. - Assurez-vous que toutes les connexions sont correctement branchées (reportez-vous au <u>schéma de câblage</u> (voir A.5)). - Utilisez le bouton blanc pour réinitialiser manuellement le thermostat. - Si nécessaire, remplacez le thermostat de sécurité (G1).
	Le thermostat de sécurité de rangée (G2) est activé.	- Purgez l'eau pour faire baisser la température dans le chauffe-eau. - Assurez-vous que toutes les connexions sont correctement branchées (reportez-vous au <u>schéma de câblage</u> (voir A.5)). - Utilisez le bouton rouge pour réinitialiser manuellement le thermostat. - Si nécessaire, remplacez le thermostat de sécurité (G2).
	Le fusible thermique a interrompu le circuit de commande.	- Vérifiez la cause de l'échauffement excessif de la zone des éléments. - Mesurez la valeur de la résistance sur le fusible thermique. La valeur doit être <5 Ohms. - Si nécessaire, remplacez le câblage du fusible thermique.



Pour enregistrer votre chauffe-eau, vous pouvez remplir et renvoyer la carte de garantie ci-jointe. Vous pouvez également l'enregistrer en ligne via le site Web A.O. Smith.

### Article 1 : Garantie générale

Si, après vérification et à l'entière discrétion de A.O. Smith, un composant ou une pièce (sauf le réservoir en acier à l'intérieur recouvert de verre) d'un chauffe-eau fourni par A.O. Smith est déclaré comme défectueux ou ne fonctionnant pas correctement, à cause d'un défaut matériel et/ou de fabrication, dans un délai d'un an suivant la date d'installation originale, A.O. Smith s'engage à réparer ou à remplacer ce composant ou cette pièce.

### Article 2 : Garantie du réservoir

Si, après vérification et à l'entière discrétion de A.O. Smith, le réservoir en acier à l'intérieur recouvert de verre d'un chauffe-eau fourni par A.O. Smith présente une fuite due à la rouille ou à de la corrosion au niveau du côté eau, dans un délai de trois ans suivant la date d'installation originale, A.O. Smith proposera de remplacer le chauffe-eau défectueux par un chauffe-eau neuf de taille et de qualité équivalentes. La période de garantie indiquée sur le chauffe-eau de remplacement sera égale à la période de garantie restante du chauffe-eau d'origine fourni. Nonobstant ce qui a été déclaré ci-avant dans cet article, si de l'eau non filtrée ou adoucie est utilisée ou demeure dans le chauffe-eau pendant un certain temps, la garantie sera réduite d'un an par rapport à la date d'installation originale.

### Article 3 : Conditions d'installation et d'utilisation

La garantie présentée aux Articles 1 et 2 s'applique uniquement dans les conditions suivantes :

- Le chauffe-eau est installé en stricte conformité avec les instructions d'installation d'A.O. Smith pour le modèle spécifique et avec les codes appropriés d'installation et de construction émis par les autorités gouvernementales et locales et étant en vigueur au moment de l'installation.
- Le chauffe-eau reste installé sur le site d'installation d'origine.
- Le chauffe-eau est utilisé exclusivement avec de l'eau potable pouvant en permanence circuler librement (un échangeur thermique installé séparément est obligatoire pour le chauffage d'eau salée ou d'eau corrosive).
- Le réservoir est protégé contre les accumulations dangereuses de tartre et de chaux grâce à des entretiens réguliers.
- La température de l'eau à l'intérieur du chauffe-eau ne dépasse pas le paramètre maximum des thermostats faisant partie du chauffe-eau.
- La pression d'eau et/ou la charge thermique ne dépassent pas les valeurs maximales indiquées sur la plaque signalétique du chauffe-eau.
- Le chauffe-eau est installé dans une atmosphère ou un environnement non corrosif(ve).

- Le chauffe-eau est raccordé à un système d'alimentation en eau froide protégé approuvé par l'autorité concernée, et disposant d'une puissance suffisante pour remplir cette tâche. Il doit apporter une pression d'eau n'étant pas supérieure à la pression d'exploitation indiquée sur le chauffe-eau et, le cas échéant, disposer d'une soupape TP approuvée, installée conformément aux instructions d'installation d'A.O. Smith s'appliquant au modèle spécifique de chauffe-eau et conforme aux codes, réglementations et règles des autorités gouvernementales et locales concernant l'installation et la construction.
- Le chauffe-eau est en permanence pourvu d'une protection cathodique. Si des anodes sacrificielles sont utilisées pour cela, elles doivent être remplacées lorsqu'elles sont épuisées à 60 % ou plus. En cas d'utilisation d'anodes d'alimentation, il est important de vérifier qu'elles fonctionnent correctement.

#### Article 4 : Exclusions

La garantie présentée aux Articles 1 et 2 ne s'applique pas dans les circonstances suivantes :

- dommage au chauffe-eau causé par un facteur externe ;
- mauvaise utilisation, négligence (y compris dommages dus au gel), modifications, utilisation incorrecte ou non autorisée du chauffe-eau et toute tentative de réparation des fuites ;
- contaminants et autres substances ayant pu pénétrer dans le réservoir ;
- la conductivité de l'eau étant inférieure à 125 µS/cm et/ou sa dureté (ions alcalino-terreux) étant inférieure à 1,00 mmol/litre (voir 8.2.3) ;
- eau non filtrée et recyclée, traversant ou étant stockée dans le chauffe-eau ;
- toute tentative de réparation d'un chauffe-eau défectueux, réalisée par quelqu'un d'autre qu'un technicien d'entretien approuvé.

#### Article 5 : Étendue de la garantie

Les obligations d'A.O. Smith en vertu de la garantie fournie ne dépassent pas la livraison gratuite, départ entrepôt, des pièces ou composants ou du chauffe-eau à remplacer. Le transport, la main-d'œuvre, l'installation et les autres coûts associés au remplacement ne seront pas pris en charge par A.O. Smith.

#### Article 6 : Réclamations

Une réclamation au titre de la garantie spécifiée doit être soumise au distributeur auprès duquel le chauffe-eau a été acquis, ou à un autre distributeur autorisé pour les produits A.O. Smith Water Products Company. L'inspection du chauffe-eau mentionnée aux Articles 1 et 2 sera effectuée dans l'un des laboratoires d'A.O. Smith Water Products Company.

#### Article 7 : Obligations de A.O. Smith

A.O. Smith ne fournit aucune autre garantie pour ses chauffe-eau ou pour les (ensembles ou pièces de) chauffe-eau fournis en remplacement, autre que la garantie établie expressément dans ces articles.

Conformément aux termes de la garantie fournie, A.O. Smith ne saurait être tenu pour responsable de tout dommage aux personnes ou au matériel causé par des ensembles ou pièces ou par le réservoir en acier à l'intérieur recouvert de verre d'un chauffe-eau (de remplacement) fourni par A.O. Smith.

# Index

## A

- Alimentation secteur..... 40
- Aspects environnementaux..... 30

## C

- Charge maximum au sol.....35
- Chauffe-eau .....33
- Composants de commande..... 19
- Composition de l'eau.....36
- Conditions..... 35
- Conditions ambiantes .....35
- Conformité..... 5
- Conventions d'annotations .....7
- Coordonnées de contact ..... 5
- Copyright.....3

## D

- Dispositifs de sécurité..... 29
- Détartre le réservoir..... 46

## E

- Emballage..... 35
- Entretien.....45
- Entretien du côté eau.....45

## F

- Finalisation..... 40, 48
- Fonctionnement..... 19

## G

- Garantie.....51
- Groupe ciblé ..... 7

## I

- Identification du présent document .....8
- Inspecter l'anode.....45
- Installation..... 35
- Instructions concernant le chauffe-eau. 28
- Instructions de sécurité.....27
- Introduction..... 15, 25

## M

- Trademark.....3
- Marques commerciales.....3
- Mettre le chauffe-eau en marche..... 41
- Mettre le chauffe-eau à l'arrêt.....21, 42
- Mettre l'appareil à l'arrêt pour une courte durée.....21
- Mettre l'appareil à l'arrêt pour une longue durée.....21
- Mise au rebut.....31
- Mise en service..... 41
- Mise hors service.....42
- Mode ARRÊT..... 19
- Mode MARCHÉ..... 20
- Modes de fonctionnement..... 19

## P

- Troubleshooting.....49
- Pannes générales..... 49
- Partie Installation et entretien..... 23
- Partie Utilisateur.....13
- Principe de fonctionnement.....25
- Preface..... 3
- Préparation..... 39, 45
- Purge.....43

## R

- Raccord de circulation..... 38
- Raccord d'eau chaude..... 38
- Raccord d'eau froide..... 37
- Raccords d'eau.....37
- Raccords électriques..... 38
- Recyclage.....30
- Remplissage..... 41
- Responsabilité..... 3
- Réglage de la température.....21
- Réglémentations ..... 5

## S

- Schéma d'installation..... 37
- Structure du chauffe-eau.....33
- Sécurité.....17, 27

## U

- Utilisation.....21

---

**V**  
Vérification des performances..... 47

---

**À**  
About this manual..... 7  
À propos du chauffe-eau..... 25

**FR**

---

**É**  
Étendue ..... 7

# A Appendices

## A.1 Technical details/Technische details/Détails techniques DRE 52

Description Omschrijving Description	Unit Eenheid Unité	DRE 52-9	DRE 52-18	DRE 52-36
<b>General/Algemeen/Général</b>				
Contents Inhoud Contenu	l	173	173	173
Empty weight Ledig gewicht Poids à vide	kg	73	73	73
Maximum floor load Maximale vloerbelasting Charge maximum au sol	kg	246	246	246
Maximum operating pressure Maximale werkdruk Pression de service maximale	kPa (bar)	800 (8)	800 (8)	800 (8)
Control thermostat - adjustment range Regelthermostaat - instelbereik Thermostat de contrôle - plage de réglage	°C	57 - 83	57 - 83	57 - 83
Control thermostat - default value Regelthermostaat - standaardwaarde Thermostat de contrôle - valeur par défaut	°C	57	57	57
Number of anodes Aantal anodes Nombre d'anodes	-	2	2	2
Heating time $\Delta T = 45\text{ °C}$ Opwarmtijd $\Delta T = 45\text{ °C}$ Temps de chauffage $\Delta T = 45\text{ °C}$	min.	65	32	16
<b>Electrical/Elektriciteit/Électricité</b>				
Electrical power consumption Opgenomen elektrisch vermogen Consommation électrique	kW	8,4	16,8	33,6
Supply voltage Voedingsspanning Tension d'alimentation	V	400 (-15/+10%)		
Mains frequency Netfrequentie Fréquence secteur	Hz	50 ( $\pm 1\text{ Hz}$ )		
Number of phases Aantal fasen Nombre de phases	-	3	3	3

<b>Description Omschrijving Description</b>	<b>Unit Eenheid Unité</b>	<b>DRE 52-9</b>	<b>DRE 52-18</b>	<b>DRE 52-36</b>
Power Vermogen Puissance	kW	8,4	16,8	33,6
Load Belasting Intensité	A	12	24	49
Number of electric heating elements Aantal elektrische verwarmingselementen Nombre d'éléments chauffants	-	3	3	6
Number of control thermostats Aantal regelthermostaten Nombre de thermostats de contrôle	-	1	1	2
Number of fuses Aantal zekeringen Nombre de fusibles	-	3	3	6
IP class IP-klasse Classe IP	-	IP X1		

## A.2

## Technical details/Technische details/Détails techniques DRE 80

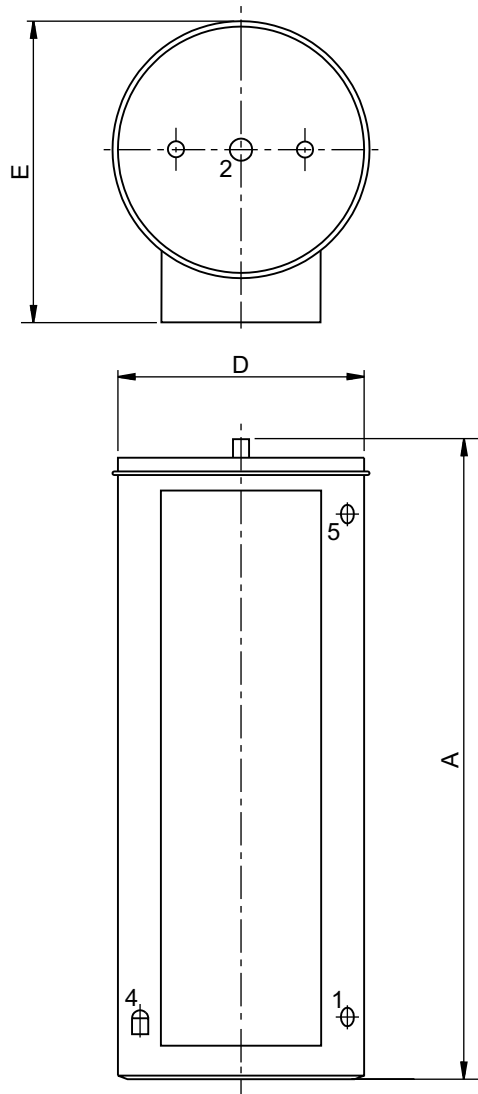
Description Omschrijving Description	Unit Eenheid Unité	DRE 80-9	DRE 80-18	DRE 80-36	DRE 80-54
<b>General/Algemeen/Général</b>					
Contents Inhoud Contenu	l	264	264	264	264
Empty weight Ledig gewicht Poids à vide	kg	110	110	110	110
Maximum floor load Maximale vloerbelasting Charge maximum au sol	kg	374	374	374	374
Maximum operating pressure Maximale werkdruk Pression de service maximale	kPa (bar)	800 (8)	800 (8)	800 (8)	800 (8)
Control thermostat - adjustment range Regelthermostaat - instelbereik Thermostat de contrôle - plage de réglage	°C	57 - 83	57 - 83	57 - 83	57 - 83
Control thermostat - default value Regelthermostaat - standaardwaarde Thermostat de contrôle - valeur par défaut	°C	57	57	57	57
Number of anodes Aantal anodes Nombre d'anodes	-	2	2	2	2
Heating time $\Delta T = 45\text{ °C}$ Opwarmtijd $\Delta T = 45\text{ °C}$ Temps de chauffage $\Delta T = 45\text{ °C}$	min.	99	49	25	16
<b>Electrical/Elektriciteit/Électricité</b>					
Electrical power consumption Opgenomen elektrisch vermogen Consommation électrique	kW	8,4	16,8	33,6	50,4
Supply voltage Voedingsspanning Tension d'alimentation	V	400 (-15/+10%)			
Mains frequency Netfrequentie Fréquence secteur	Hz	50 ( $\pm 1$ Hz)			
Number of phases Aantal fasen Nombre de phases	-	3	3	3	3
Power Vermogen Puissance	kW	8,4	16,8	33,6	50,4
Load Belasting Intensité	A	12	24	49	73
Number of electric heating elements Aantal elektrische verwarmingselementen Nombre d'éléments chauffants	-	3	3	6	9

<b>Description Omschrijving Description</b>	<b>Unit Eenheid Unité</b>	<b>DRE 80-9</b>	<b>DRE 80-18</b>	<b>DRE 80-36</b>	<b>DRE 80-54</b>
Number of control thermostats Aantal regelthermostaten Nombre de thermostats de contrôle	-	1	1	2	3
Number of fuses Aantal zekeringen Nombre de fusibles	-	3	3	6	9
IP class IP-klasse Classe IP	-	IP X1			



### A.3 Dimensions/Afmetingen/Dimensions

Size Afm. Dim	Description Omschrijving Description	Unit Eenheid Unité	DRE 52-9 DRE 52-18 DRE 52-36	DRE 80-9 DRE 80-18 DRE 80-36 DRE 80-54
<b>Dimensions water heater/Afmetingen boiler/Dimensions du chauffe-eau</b>				
A	Overall height Totale hoogte Hauteur totale	mm	1460	1580
D	Appliance diameter Toestel diameter Diamètre de l'appareil	mm	560	640
E	Depth Diepte Profondeur	mm	690	790
<b>Dimensions connections/Afmetingen aansluitingen/Dimensions des raccords</b>				
1	Cold water supply connection (male) Aansluiting koudwatertoevoer (uitw.) Raccordement d'alimentation en eau froide (mâle)	"	1 1/4	1 1/4
2	Hot water outlet connection (male) Aansluiting warmwateruitlaat (uitw.) Raccordement de sortie eau chaude (mâle)	"	1 1/4	1 1/4
3	T&P-valve connection (female) Aansluiting T&P-ventiel (inw.) Raccordement de soupape TP (femelle)	"	3/4	3/4
4	Drain valve connection (female) Aansluiting aftapkraan (inw.) Raccordement de robinet de vidange (femelle)	"	3/4	3/4



MD-0298b R1

AP

## A.4 Energy labeling/Energielabel/Étiquette Énergétique

Description Omschrijving Description	Unit Eenheid Unité	DRE 52-9	DRE 52-18	DRE 52-36
<b>Declared load profile/Aangegeven capaciteitsprofiel/Profil de charge déclaré</b>				
Load profile Capaciteitsprofiel Profil de charge	-	XL	XL	XL
Energy efficiency class (Energy label) Klasse energie-efficiëntie (energielabel) Classe d'efficacité énergétique (Étiquette Énergétique)	-	C	C	C
Energy efficiency Energie-efficiëntie Efficacité énergétique	%	38,4	38,6	38,9
Daily electricity consumption Dagelijks elektriciteits-verbruik Consommation journalière d'électricité	kWh	20,104	19,947	19,758
Daily fuel consumption Dagelijks brandstofverbruik Consommation journalière de combustible	kWh GCV	0.000	0.000	0.000
Mixed water 40 °C (V40) Gemengd water 40 °C (V40) Eau mixte 40 °C (V40)	l	252	245	258
<b>Additional load profile/Ander capaciteitsprofiel/Profil de charge supplémentaire</b>				
Load profile Capaciteitsprofiel Profil de charge	-	-	-	-
Energy efficiency class (Energy label) Klasse energie-efficiëntie (energielabel) Classe d'efficacité énergétique (Étiquette Énergétique)	-	-	-	-
Energy efficiency Energie-efficiëntie Efficacité énergétique	%	-	-	-
Daily electricity consumption Dagelijks elektriciteits-verbruik Consommation journalière d'électricité	kWh	-	-	-
Daily fuel consumption Dagelijks brandstofverbruik Consommation journalière de combustible	kWh GCV	-	-	-
Mixed water 40 °C (V40) Gemengd water 40 °C (V40) Eau mixte 40 °C (V40)	l	-	-	-

<b>Description Omschrijving Description</b>	<b>Unit Eenheid Unité</b>	<b>DRE 80-9</b>	<b>DRE 80-18</b>	<b>DRE 80-36</b>	<b>DRE 80-54</b>
<b>Declared load profile/Aangegeven capaciteitsprofiel/Profil de charge déclaré</b>					
Load profile Capaciteitsprofiel Profil de charge	-	XL	XL	XL	XL
Energy efficiency class (Energy label) Klasse energie-efficiëntie (energielabel) Classe d'efficacité énergétique (Étiquette Énergétique)	-	C	C	C	C
Energy efficiency Energie-efficiëntie Efficacité énergétique	%	38,7	39,1	39,3	39,0
Daily electricity consumption Dagelijks elektriciteits-verbruik Consommation journalière d'électricité	kWh	19,934	19,656	19,530	19,729
Daily fuel consumption Dagelijks brandstofverbruik Consommation journalière de combustible	kWh GCV	0.000	0.000	0.000	0.000
Mixed water 40 °C (V40) Gemengd water 40 °C (V40) Eau mixte 40 °C (V40)	l	395	407	405	403
<b>Additional load profile/Ander capaciteitsprofiel/Profil de charge supplémentaire</b>					
Load profile Capaciteitsprofiel Profil de charge	-	-	-	-	-
Energy efficiency class (Energy label) Klasse energie-efficiëntie (energielabel) Classe d'efficacité énergétique (Étiquette Énergétique)	-	-	-	-	-
Energy efficiency Energie-efficiëntie Efficacité énergétique	%	-	-	-	-
Daily electricity consumption Dagelijks elektriciteits-verbruik Consommation journalière d'électricité	kWh	-	-	-	-
Daily fuel consumption Dagelijks brandstofverbruik Consommation journalière de combustible	kWh GCV	-	-	-	-
Mixed water 40 °C (V40) Gemengd water 40 °C (V40) Eau mixte 40 °C (V40)	l	-	-	-	-

**AP**

## A.5

# Electrical wiring diagram/Elektrisch schema/ Schéma de câblage électrique

Fig. Electrical wiring diagram - 3 elements

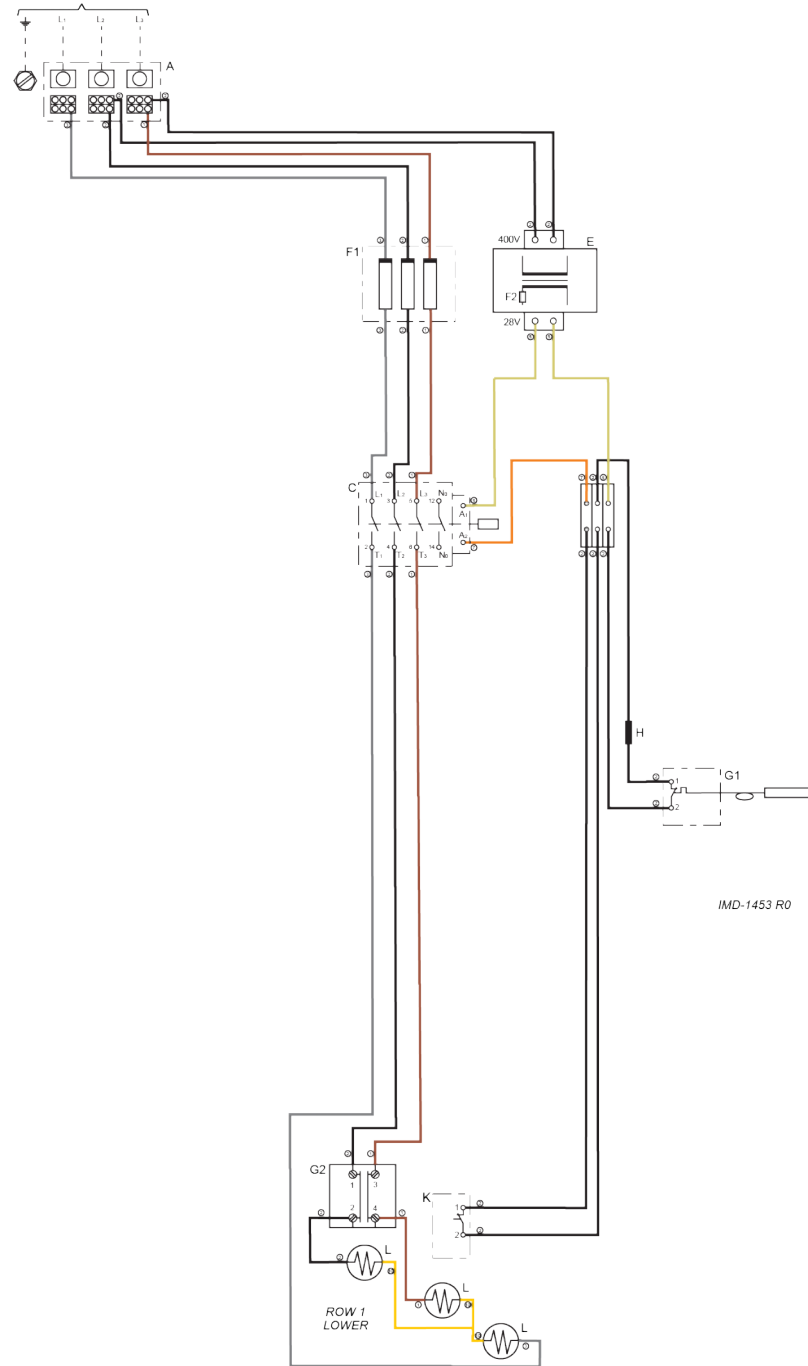
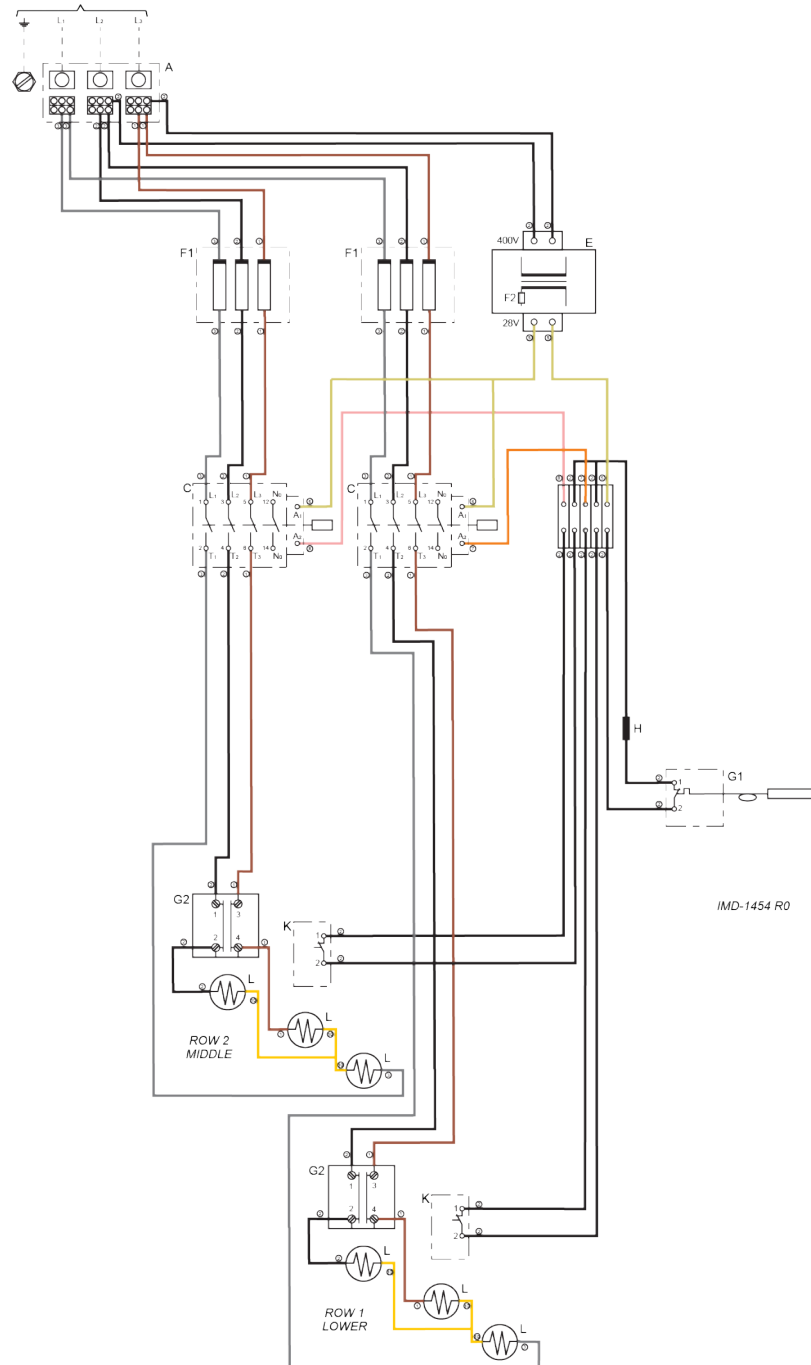
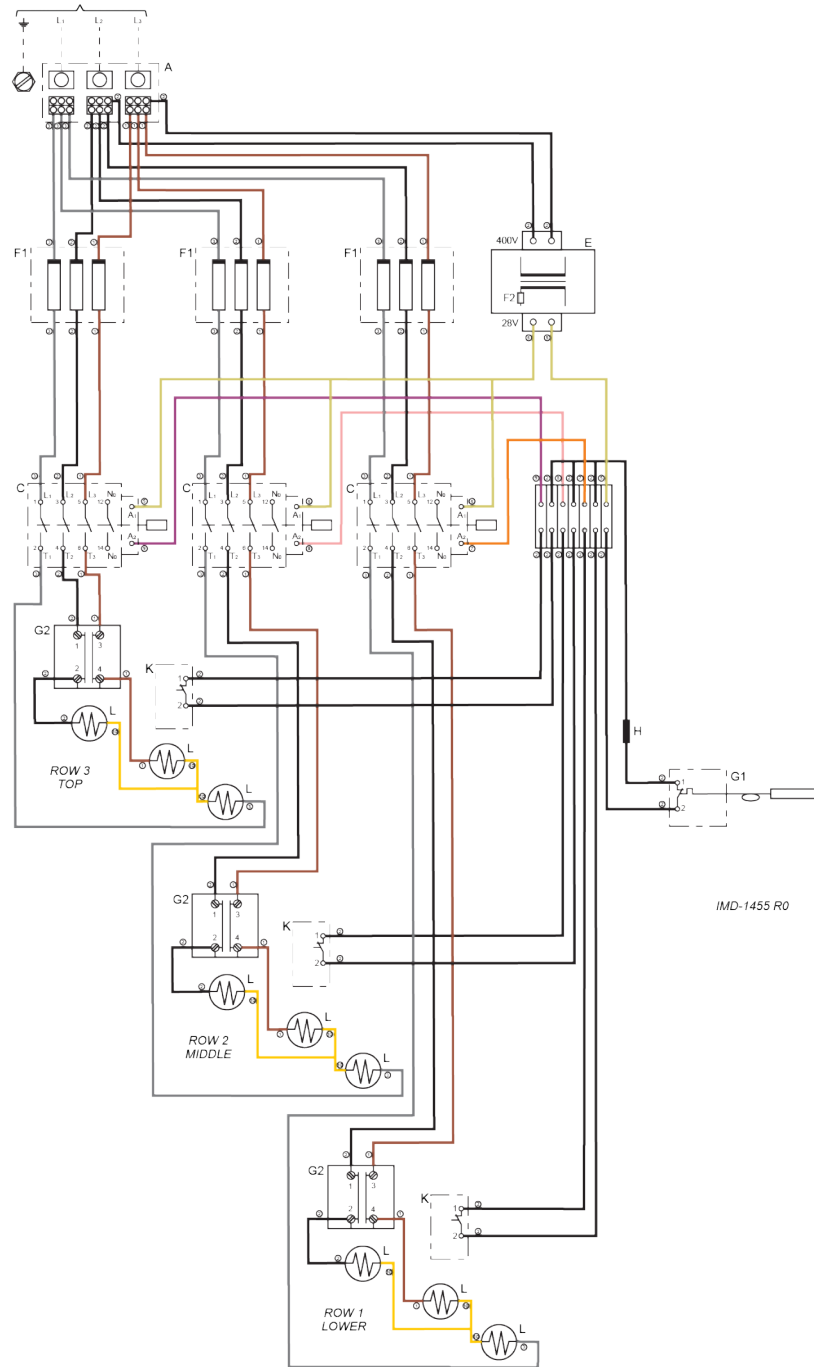


Fig. Electrical wiring diagram - 6 elements



AP

Fig. Electrical wiring diagram - 9 elements



**Cable colors/Kabelkleuren/Couleurs des câbles**

1.	Brown	Bruin	Marron
2.	Black	Zwart	Noir
3.	Gray	Grijs	Gris
4.	Blue	Blauw	Bleu
5.	White	Wit	Blanc
6.	Red	Rood	Rouge
7.	Orange	Oranje	Orange
8.	Pink	Roze	Rose
9.	Purple	Paars	Violet
10.	Yellow	Geel	Jaune

**Terminal block connections/Aansluitingen aansluitingenblok/Bloc de raccordement électrique de terminaux**

A	Earth	Aarde	Terre
L <sub>1</sub> .	Phase 1 Input	Fase 1-ingang	Entrée de Phase 1
L <sub>2</sub> .	Phase 2 Input	Fase 2-ingang	Entrée de Phase 2
L <sub>3</sub> .	Phase 3 Input	Fase 3-ingang	Entrée de Phase 3

**Components/Onderdelen/Composants**

A.	Terminal Block	Aansluitblok	Bloc de Raccordement Électrique
C.	Relay	Relais	Relais
E.	Transformer 400-28VAC	Transformator 400-28VAC	Transformateur 400-28VCA
F1.	Element Fuse (gG 400VAC/32A)	Elementzekering (gG 400VAC/32A)	Fusible Élément (gG 400VCA/32A)
F2.	Transformer Fuse (T1AL250)	Transformatorzekering (T1AL250)	Fusible Transformateur (T1AL250)
G1.	Main Safety Thermostat	Hoofdveiligheidsthermostaat	Thermostat de Sécurité Principal
G2.	Row Safety Thermostat	Rij-veiligheidsthermostaat	Thermostat de Sécurité de Rangée
H.	Thermal Fuse	Thermische Verzekering	Fusible Thermique
K.	Row Control Thermostat	Rij-Regelthermostaat	Thermostat de Contrôle de Rangée
L.	Electrical Heating Element	Elektrisch Verwarmingselement	Élément Chauffant Électrique



## A.6

# Declaration of conformity/ Conformiteitsverklaring/Déclaration de conformité

### A.6.1

## United Kingdom



## Declaration of Conformity

Manufacturer: A.O. Smith Water Products Company b.v.  
De Run 5305  
5503 LW Veldhoven  
The Netherlands

hereby declares that the following products:

Product description: Electric Storage Water Heater  
Product family name: -  
Product models: DRE 52-9, DRE 52-18, DRE 52-36,  
DRE 80-9, DRE 80-18, DRE 80-36, DRE 80-54

on the assumption that the installation instructions have been followed are compliant to:

Low Voltage Directive (LVD) - 2014/35/EU  
- EN 50106:2008  
- EN 60335-1:2012 + AC:2014 + A11:2014 + A13:2017 + A1:2019 + A2:2019 + A14:2019 + A15:2021  
- EN 60335-2-21:2003 + A1:2005 + AC:2007 + A2:2008 + AC:2010  
- EN 60335-2-21:2021  
- EN 62233:2008 + AC:2008

Electromagnetic Compatibility Directive (EMC) - 2014/30/EU  
- EN 55014-1:2017 + A11:2020 + EN IEC 55014-1:2021 + EN 55014-1:2006 + A1:2009 + A2:2011  
- EN 55014-2:2015 + EN IEC 55014-2:2021 + EN 55014-2:1997 + AC:1997 + A1:2001 + A2:2008  
- EN 61000-3-2:2014 + EN IEC 61000-3-2:2019 + A1:2021  
- EN 61000-3-3:2013 + A1:2019

ECO Design Directive (ErP) - 2009/125/EC  
- Commission regulation No. 814/2013 based on notices 2014/C - 207/03

Requirements for Restriction of Hazardous Substances (RoHS II/III) Directive - 2011/65/EU en 2015/863/EU

Company:  
A.O. Smith Water Products Company b.v.

Date:  
November 1, 2021

Signature:

T. van der Hamsvoort  
Managing Director

AP



## Declaration of Conformity

Manufacturer: A.O. Smith Water Products Company b.v.  
De Run 5305  
5503 LW Veldhoven  
The Netherlands

hereby declares that the following products:

Product description: Electric Storage Water Heater  
Product family name: -  
Product models: DRE 52-9, DRE 52-18, DRE 52-36,  
DRE 80-9, DRE 80-18, DRE 80-36, DRE 80-54

on the assumption that the installation instructions have been followed are compliant to:

Electrical Equipment (Safety) Regulations 2016 (UK SI 2016 No. 1101)  
- EN 50106:2008  
- EN 60335-1:2012 + AC:2014 + A11:2014 + A13:2017 + A1:2019 + A2:2019 + A14:2019 + A15:2021  
- EN 60335-2-21:2003 + A1:2005 + AC:2007 + A2:2008 + AC:2010  
- EN 60335-2-21:2021  
- EN 62233:2008 + AC:2008

Electromagnetic Compatibility Regulations 2016 (UK SI 2016 No. 1091)  
- EN 55014-1:2017 + A11:2020 + EN IEC 55014-1:2021 + EN 55014-1:2006 + A1:2009 + A2:2011  
- EN 55014-2:2015 + EN IEC 55014-2:2021 + EN 55014-2:1997 + AC:1997 + A1:2001 + A2:2008  
- EN 61000-3-2:2014 + EN IEC 61000-3-2:2019 + A1:2021  
- EN 61000-3-3:2013 + A1:2019

Ecodesign for Energy-Related Products Regulations 2010 (UK SI 2010 No. 2617)  
- Commission regulation No. 814/2013 based on notices 2014/C - 207/03

RoHS Regulations 2012 (UK SI 2012 No. 3032)

Company:  
A.O. Smith Water Products Company b.v.

Date:  
November 1, 2021

Signature:

T. van der Hamsvoort  
Managing Director

AP



## Conformiteitsverklaring

Fabrikant: A.O. Smith Water Products Company b.v.  
De Run 5305  
5503 LW Veldhoven  
Nederland

verklaart hierbij dat de volgende producten:

Product omschrijving: Elektrisch Warmwater Voorraadtoestel  
Product familienaam: -  
Product naam: DRE 52-9, DRE 52-18, DRE 52-36,  
DRE 80-9, DRE 80-18, DRE 80-36, DRE 80-54

op de veronderstelling dat de installatie instructies zijn opgevolgd, voldoen aan de onderstaande Europese Richtlijnen:

Laagspanningsrichtlijn (LVD) - 2014/35/EU

- EN 50106:2008
- EN 60335-1:2012 + AC:2014 + A11:2014 + A13:2017 + A1:2019 + A2:2019 + A14:2019 + A15:2021
- EN 60335-2-21:2003 + A1:2005 + AC:2007 + A2:2008 + AC:2010
- EN 60335-2-21:2021
- EN 62233:2008 + AC:2008

Elektromagnetisch Compatibiliteit Richtlijn (EMC) - 2014/30/EU

- EN 55014-1:2017 + A11:2020 + EN IEC 55014-1:2021 + EN 55014-1:2006 + A1:2009 + A2:2011
- EN 55014-2:2015 + EN IEC 55014-2:2021 + EN 55014-2:1997 + AC:1997 + A1:2001 + A2:2008
- EN 61000-3-2:2014 + EN IEC 61000-3-2:2019 + A1:2021
- EN 61000-3-3:2013 + A1:2019

Richtlijn Energie gerelateerde Producten (ErP) - 2009/125/EG

- Verordening van de commissie No. 814/2013 op basis van Mededeling 2014/C - 207/03

Richtlijn voor gebruik van gevaarlijke stoffen in elektr(on)ische apparatuur (RoHS II/III) - 2011/65/EU en 2015/863/EU

Bedrijf:  
A.O. Smith Water Products Company b.v.

Datum:  
1 November 2021

Handtekening:

T. van der Hamsvoort  
Algemeen Directeur



## Déclaration de Conformité

Fabricant: A.O. Smith Water Products Company b.v.  
De Run 5305  
5503 LW Veldhoven  
Pays-Bas

déclare que les produits suivants:

Description: Chauffe-eau Électrique  
Nom de famille de produit: -  
Modèles de produit: DRE 52-9, DRE 52-18, DRE 52-36,  
DRE 80-9, DRE 80-18, DRE 80-36, DRE 80-54

sur l'hypothèse que les instructions d'installation ont été suivies conformes à:

Directive Basse Tension (LVD) - 2014/35/UE  
- EN 50106:2008  
- EN 60335-1:2012 + AC:2014 + A11:2014 + A13:2017 + A1:2019 + A2:2019 + A14:2019 + A15:2021  
- EN 60335-2-21:2003 + A1:2005 + AC:2007 + A2:2008 + AC:2010  
- EN 60335-2-21:2021  
- EN 62233:2008 + AC:2008

Directive Compatibilité Electromagnétique (EMC) - 2014/30/UE  
- EN 55014-1:2017 + A11:2020 + EN IEC 55014-1:2021 + EN 55014-1:2006 + A1:2009 + A2:2011  
- EN 55014-2:2015 + EN IEC 55014-2:2021 + EN 55014-2:1997 + AC:1997 + A1:2001 + A2:2008  
- EN 61000-3-2:2014 + EN IEC 61000-3-2:2019 + A1:2021  
- EN 61000-3-3:2013 + A1:2019

Directive du ECO Design (ErP) - 2009/125/CE  
- Règlement de la Commission No. 814/2013 sur la base de avis 2014/C - 207/03

Directive relative à la limitation de l'utilisation de certaines substances dangereuses dans les équipements électriques et électroniques (RoHS II/III) - 2011/65/UE en 2015/863/UE

Société:  
A.O. Smith Water Products Company b.v.

Date:  
1 Novembre 2021

Signature:

T. van der Hamsvoort  
Directeur Général