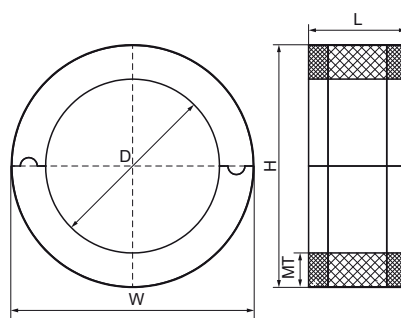


## Walraven BISOFIX® E25

(D0326)

for insulated pipes



### Features & benefits

- for combination with elastomeric foam insulation
- vapourproof glueable with pipe insulation
- does not contain CFC, HCFC, formaldehyde or cadmium
- fire class B2
- PIR density for  $D < 80\text{mm}$  =  $80\text{kg/m}^3$
- PIR density for  $D > 80\text{mm}$  =  $120\text{kg/m}^3$
- temperature range  $-45\text{ }^\circ\text{C}$  -  $+105\text{ }^\circ\text{C}$



Product Number	Outside Pipe Diameter	DN	Total Height	Total Width	Total Length	Material Thickness	Operating Temperature	Maximum Allowed Load Faz
Reference Letter	D	D	H	W	L	MT	CEL	F <sub>a,z</sub>
Unit description	mm		mm	mm	mm	mm		N
I250000012	12		63	63	50	25.30	-45 - 105	100
I250000015	15		66	66	50	25.30	-45 - 105	100
I250000018	17.2 - 18	DN 10	69	69	50	25.30	-45 - 105	100
I250000022	21.3 - 22	DN 15	75	75	50	26.70	-45 - 105	100
I250000028	26.9 - 28	DN 20	79	79	50	25.30	-45 - 105	100
I250000035	33.7 - 35	DN 25	88	88	50	26.50	-45 - 105	100
I250000042	42.4	DN 32	100	100	50	28.80	-45 - 105	150
I250000048	48.3	DN 40	100	100	50	25.90	-45 - 105	225
I250000054	54		105	105	50	25.30	-45 - 105	225
I250000057	57		108	108	50	25.30	-45 - 105	225
I250000060	60.3	DN 50	111	111	50	25.30	-45 - 105	350
I250000064	64		129	129	50	32.30	-45 - 105	350
I250000070	70		135	135	50	32.30	-45 - 105	425
I250000076	76.1	DN 65	141	141	50	32.30	-45 - 105	575
I250000089	88.9	DN 80	154	154	50	32.30	-45 - 105	875
I250000102	101.6		166	166	50	32.30	-45 - 105	1,000
I250000108	108		176	176	50	34.00	-45 - 105	1,075
I250000114	114.3	DN 100	179	179	50	32.30	-45 - 105	1,250
I250000133	133		198	198	100	32.30	-45 - 105	1,475
I250000140	139.7	DN 125	205	205	100	32.70	-45 - 105	1,700
I250000160	159 - 160		225	225	100	32.30	-45 - 105	1,950
I250000168	168.3	DN 150	233	233	100	32.30	-45 - 105	2,125
I250000219	219.1	DN 200	284	284	100	32.30	-45 - 105	3,525
I250000356	356		421	421	100	32.00	-45 - 105	