

Technische Daten/ Technical Data

KLUDI FRESHLINE
DUAL SHOWER SYSTEM
DN 15

Ref.: 6709005-00WR9

Finishes:
05 chrome

Product description
Manufacturer KLUDI GmbH & Co. KG
Typ: KLUDI FRESHLINE
DUAL SHOWER SYSTEM
Ref.: 6709005-00WR9

with horizontally and vertically adjustable pipe
protected against back flow
height-adjustable hand shower hook
with fixing material
wall mounted
water supply with connecting hose
2-way ceramic diverter
without shower mixer

hand shower 3 S
3 spray pattern
volume/booster/smooth
with cleaning system
connection G1/2
sieve seal

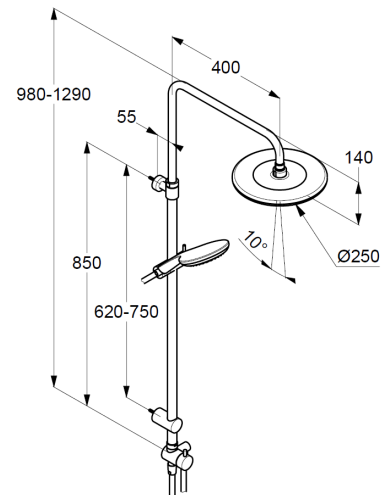
shower hose
plastic coated
with metal-effect
with conical nuts
anti twist
G1/2 x G1/2 x 1600mm

head shower 1 S
1 spray pattern
with cleaning system
connection G1/2
with ball joint
Ø 250mm
sieve seal

Produktabbildung/ Product picture



Maßzeichnung/ Dimensional drawing



Durchfluss/ Flow rate

