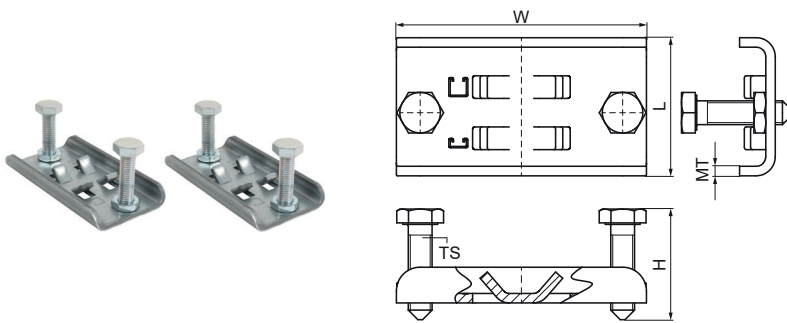


Walraven RapidStrut® Inter Flange Clamp

(H3650)

to connect Strut rails inside of steel beam flanges



Features & benefits

- set of two clamping plates, to be installed in combination with Walraven RapidStrut® Rail
- for connecting installation between the flanges of I- or U-profile steelwork without drilling or welding
- material: clamp made of steel 1.0242 (S250GD); hexagon head bolts M10x40 with tip: steel class 8.8 (EN-ISO 898-1); hexagon thin nuts M10 DIN 439-B: steel class 04 (EM-ISO 898-2)
- clamp: ZM310-MAC (pre-galvanized); fasteners: zinc plated ISO 2081-Fe/Zn5/A (EN ISO 2081:2008)

Product Number	For Rail Type	Total Height	Total Width	Total Length	Thread Size	Material Thickness	Maximum Allowed Load Faz
<i>Reference Letter</i>		<i>H</i>	<i>W</i>	<i>L</i>	<i>TS</i>	<i>MT</i>	<i>Fa,z</i>
<i>Unit description</i>		<i>mm</i>	<i>mm</i>	<i>mm</i>		<i>mm</i>	<i>N</i>
6078031	41x21, 41x41	40	105	58	M10	4.00	2,100