

## Technische Daten/ Technical Data

KLUDI FRESHLINE  
THERMOSTAT DUAL SHOWER SYSTEM  
DN 15

Ref.: 6709205-00WR9

Finishes:  
05 chrome

Product description  
Manufacturer KLUDI GmbH & Co. KG  
Typ: KLUDI FRESHLINE  
THERMOSTAT DUAL SHOWER SYSTEM  
Ref.: 6709205-00WR9

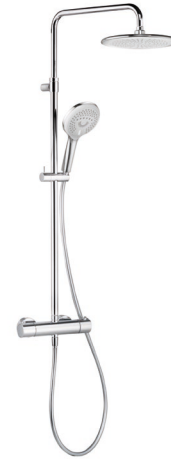
thermostatic shower mixer  
wall mounted  
with ceramic shut-off valve 90°/90°  
temperature handle with hot water safety at 40°C  
shower outlet G1/2  
protected against back flow  
S-unions G1/2 x G3/4  
with dirt-catcher sieve  
with fixing material  
height-adjustable hand shower hook  
with horizontally and vertically adjustable pipe  
for rigid wall mounted

hand shower 3 S  
3 spray pattern  
volume/booster/smooth  
with cleaning system  
connection G1/2  
sieve seal

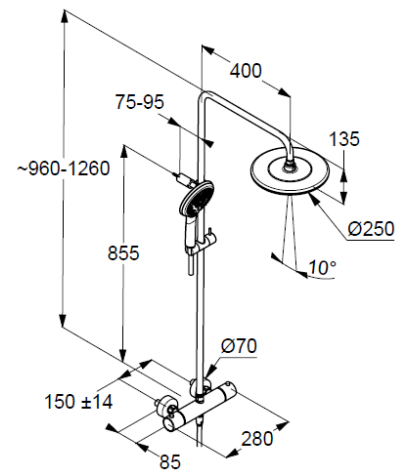
shower hose  
plastic coated  
with conical nuts  
G1/2 x G1/2 x 1600mm

head shower 1 S  
Ø 250mm  
1 spray pattern  
with cleaning system  
connection G1/2  
with ball joint  
sieve seal

### Produktabbildung/ Product picture



### Maßzeichnung/ Dimensional drawing



### Durchfluss/ Flow rate

