

Technische Daten/ Technical Data

KLUDI LOGO

single lever dual shower system
with bath spout
DN 15

Ref.: 6808305-00WR9

Finishes:
05 chrome

Product description

Manufacturer KLUDI GmbH & Co. KG

Typ: KLUDI LOGO

single lever dual shower system
with bath spout

Ref.: 6808305-00WR9

single lever mixer

diverter as rotary ceramic valve

solid lever, metal

lateral actuation

aerator M24

protected against back flow

shower outlet G1/2

ceramic cartridge with hot water safety device

with horizontally and vertically adjustable pipe

height-adjustable hand shower hook

with fixing material

hand shower 3 S

3 spray pattern

volume/booster/smooth

with cleaning system

sieve seal

shower hose

plastic coated

with metal-effect

with conical nuts

anti twist

G1/2 x G1/2 x 1600mm

head shower

1 spray pattern

with cleaning system

connection G1/2

with ball joint

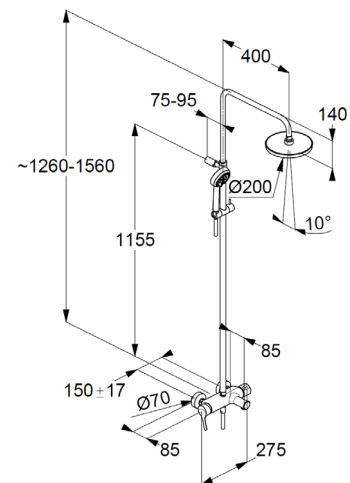
Ø 200 mm

sieve seal

Produktabbildung/ Product picture



Maßzeichnung/ Dimensional drawing



Durchfluss/ Flow rate

