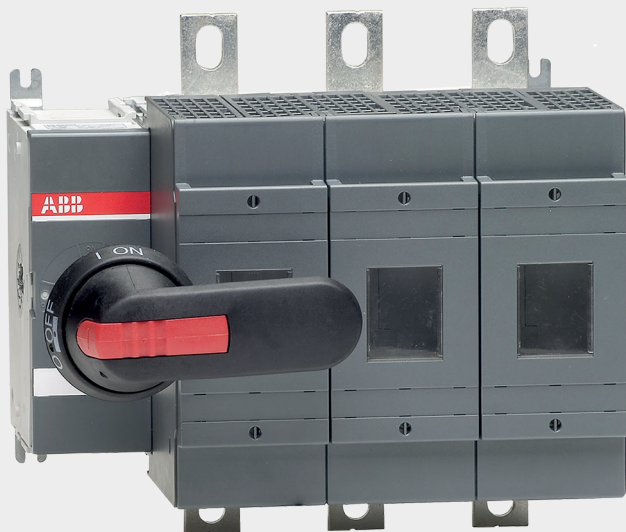


—  
INSTALLATION INSTRUCTION

## Switch fuses

### OS315-400

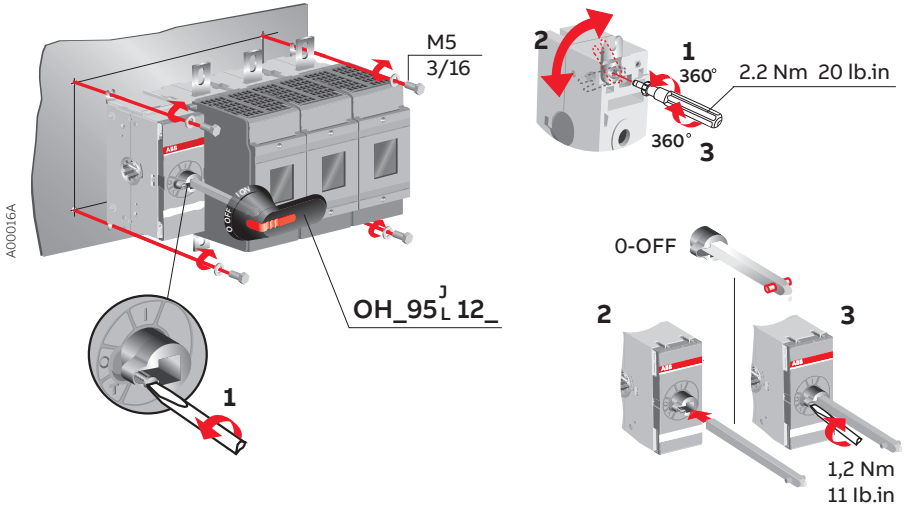


---

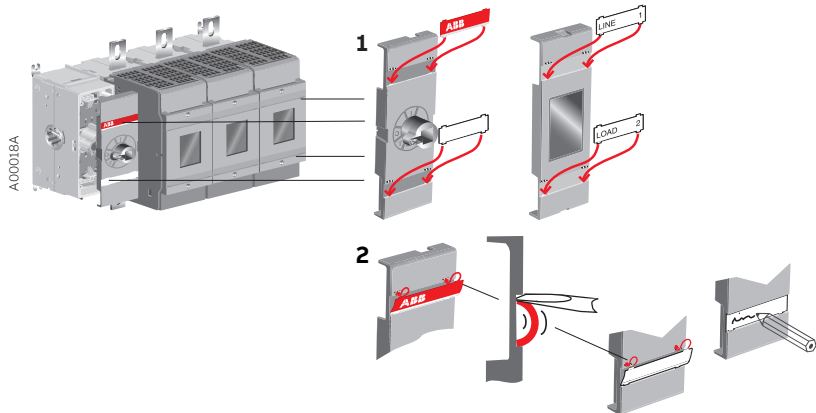
# Table of contents

03	Installation Labels
04	Clearances per UL98 Terminal shrouds OSS_
05	Terminal clamps OZX_ Fuse links
06	Auxiliary contacts OA_
07	Direct mount handle OSV_
08	Fourth pole OSP_ Neutral link OS_N3, OXN400
09	Blown fuse indicator OSZ_
10	Electronic fuse monitor OFS_
11	Module for aux contacts OEA28_
12	Interlocking OSZT2_
13-14	Dimension drawings
15	Warning sheet

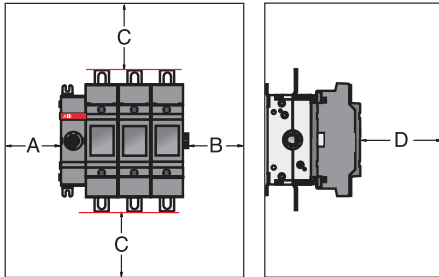
# Installation



# Labels



# Clearances per UL98



Minimum enclosure size or equivalent volume

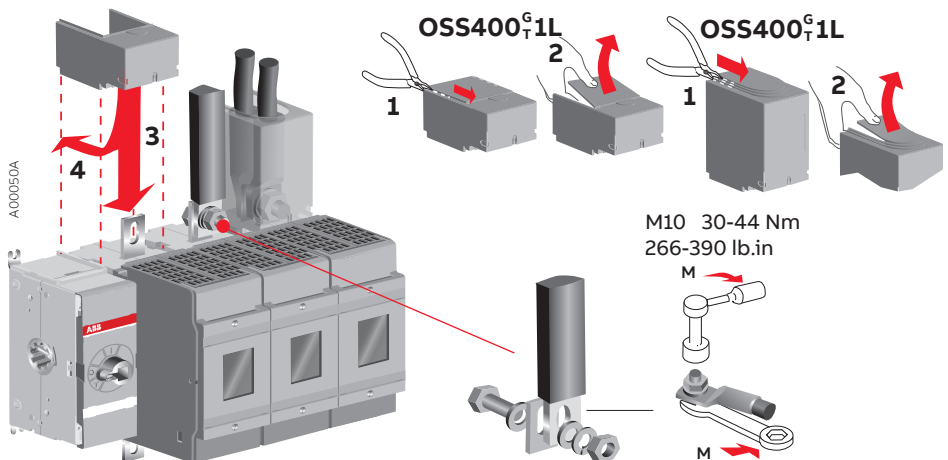
Switch	Height	Width	Depth
3-pole	610	356	254
4-pole	610	508	254

A	B	D
0	13 mm / 0.5 in	13 mm / 0.5 in

AWG	C	MCM	C
4-3	100 mm 4 in	250	200 mm 8 in
2	100 mm 4 in	300	250 mm 10 in
1	100 mm 4 in	400	330 mm 13 in
1/0	125 mm 5 in	500	356 mm 14 in
2/0	150 mm 6 in	600	381 mm 15 in
3/0-4/0	175 mm 7 in		

# Terminal shrouds

OSS\_



## Terminal clamps

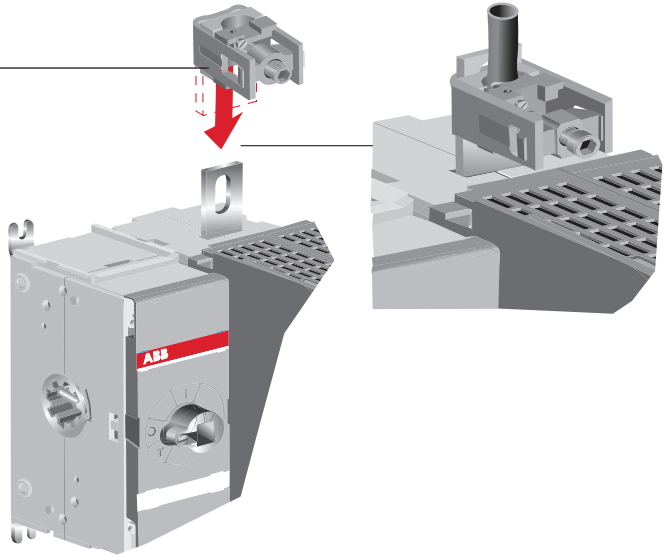
OZX\_

### OS315, OS400

OZXB2L  
OZXB3  
OZXB4  
OZXB7  
OZXB7L  
OZXB8  
OZXB9

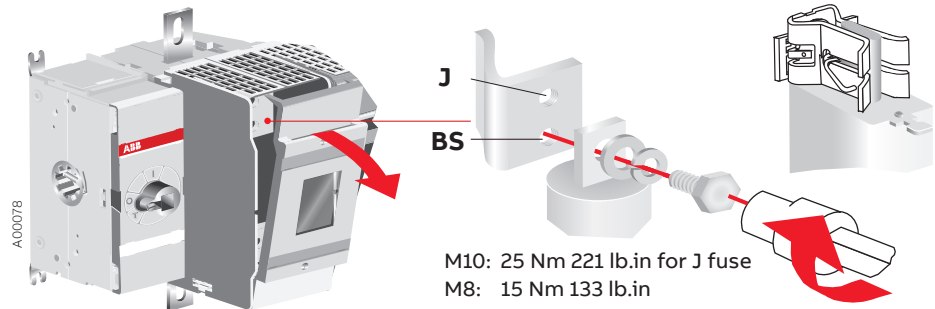
### OS400J

OZXA-400\_  
OZXA-406\_



A00017A

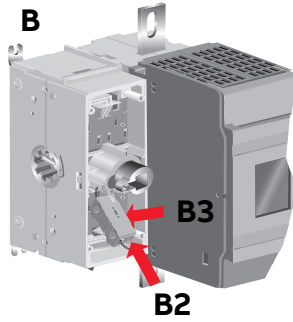
## Fuse links



A00078

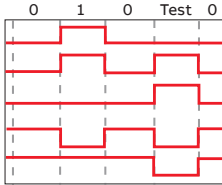
# Auxiliary contacts

OA\_

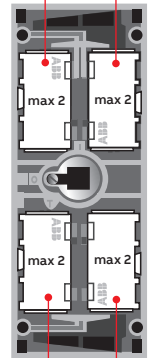


**NO: OA1G10**  
**NC: OA3G01**

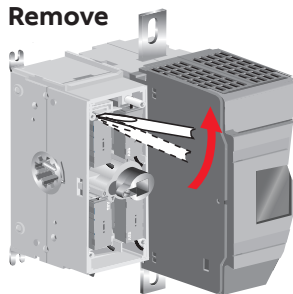
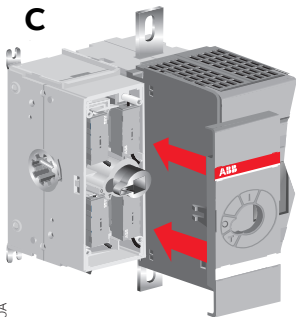
Test contact



Main contact  
 Test contact (NO)  
 Test indication contact (NOT)  
 Test contact (NC)  
 Test indication contact (NC)



Test indication contact

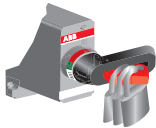
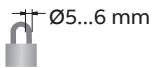
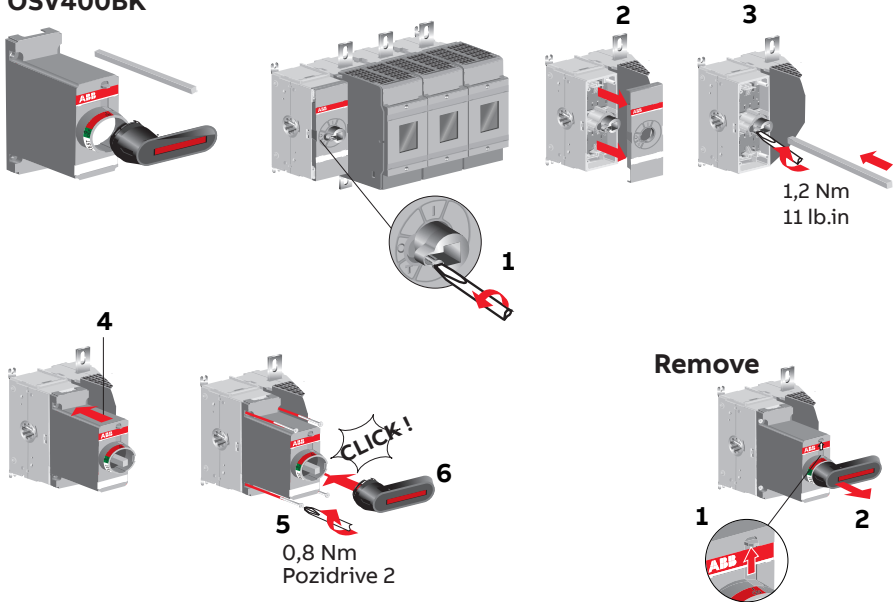


A00080A

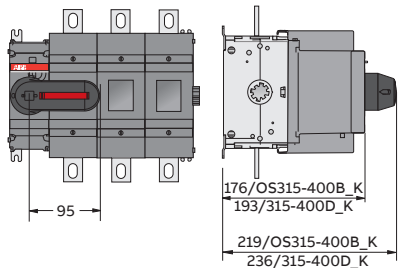
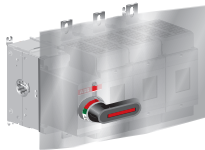
# Direct mount handle

OSV\_

**OSV400DK  
OSV400BK**



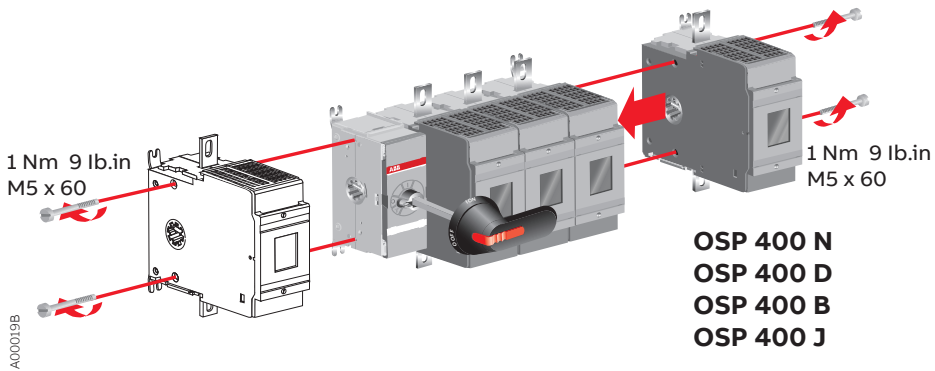
Note: Use protection against direct contact. For example:



A00144A

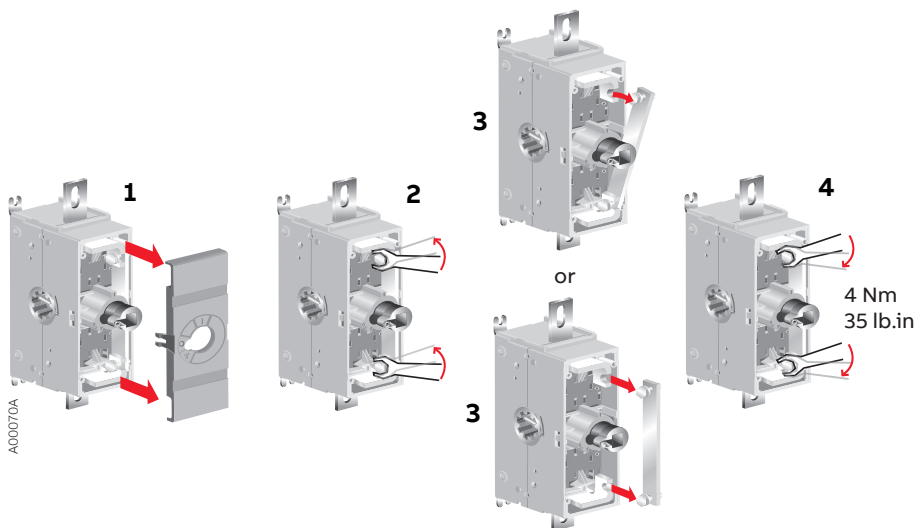
## Fourth pole

OSP\_



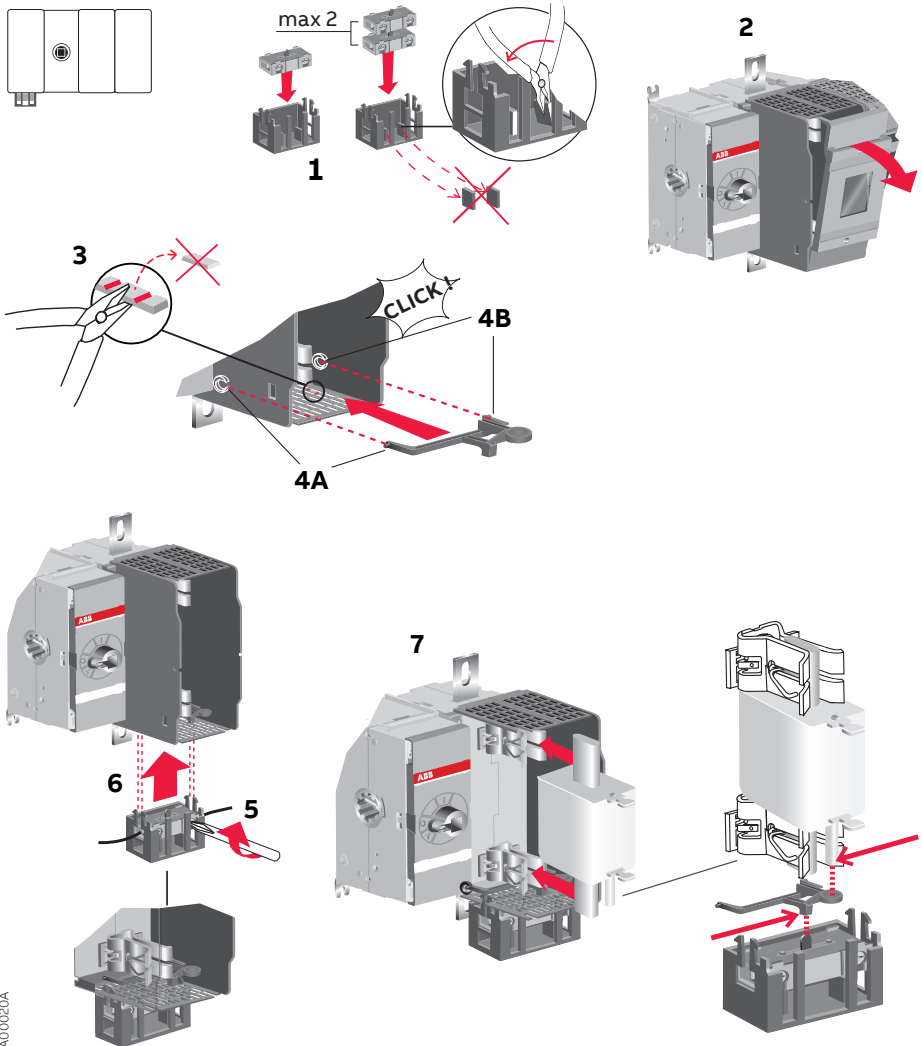
## Neutral link

OS\_N3, OXN400



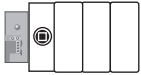
# Blown fuse indicator

## OSZ\_

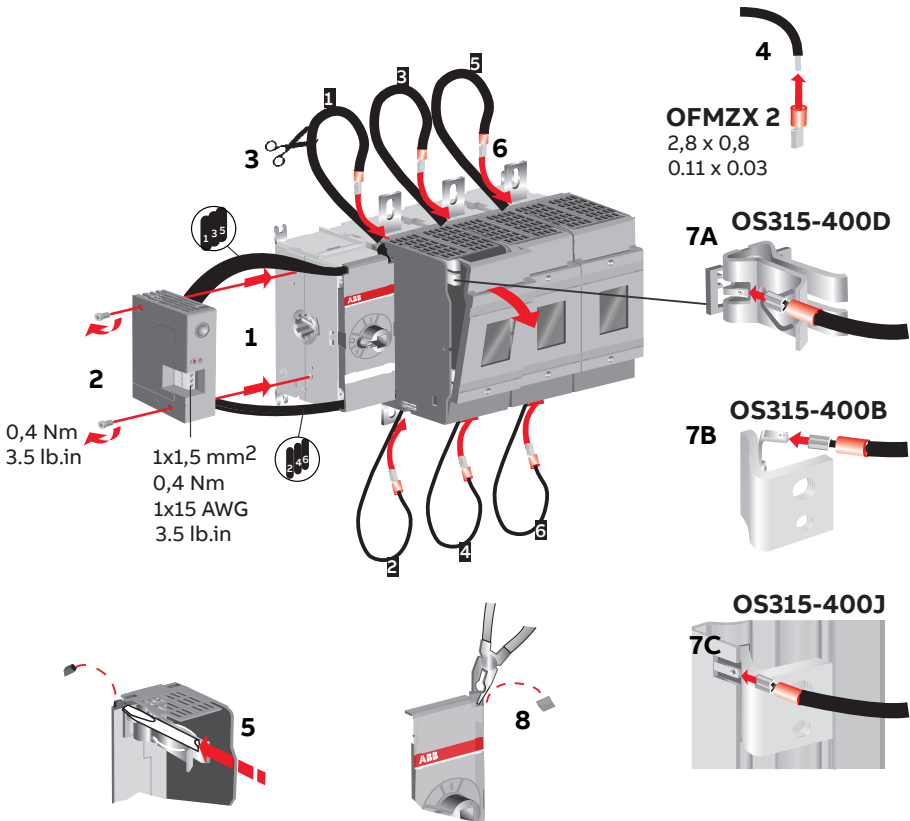


# Electronic fuse monitor

## OFS\_

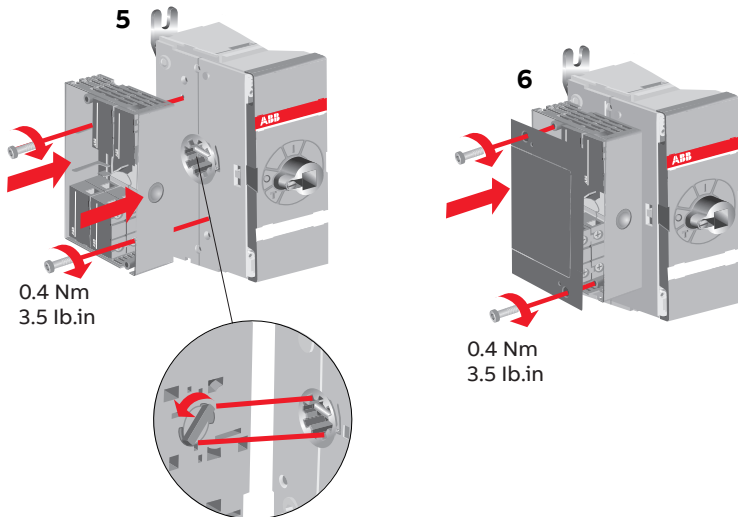
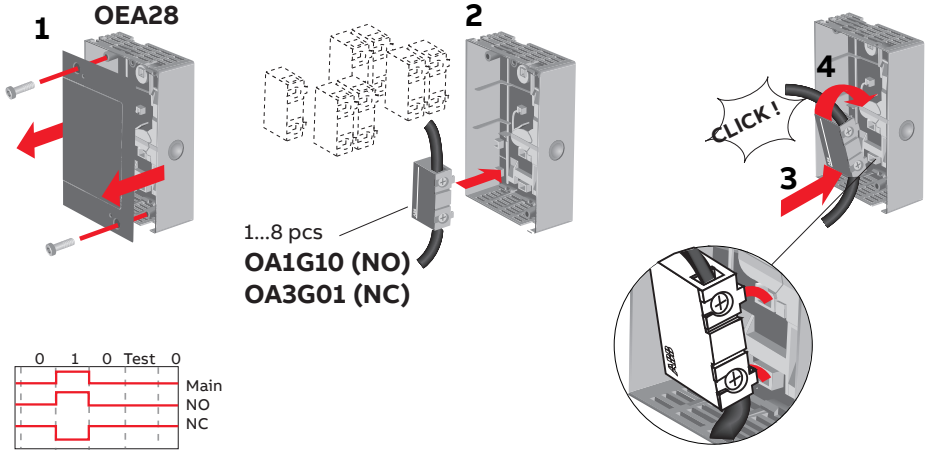


OS315-400...+OFS\_



# Module for aux contacts

OEA28\_

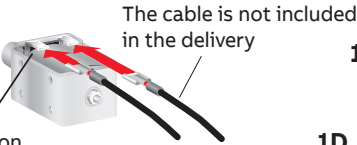


# Interlocking OSZT2

OSZT2\_

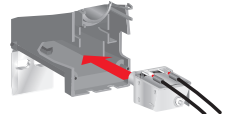


1 1A



Flat connection  
6,3-0,8 (DIN 46244)

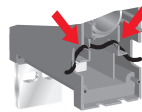
1B



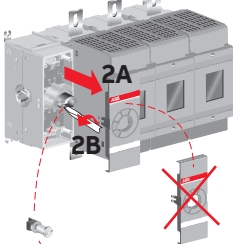
1C



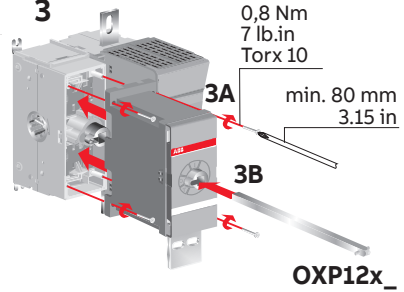
1D



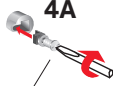
2



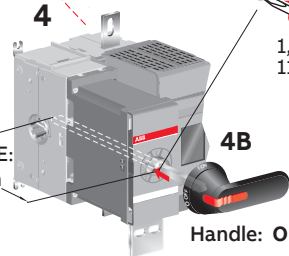
3



4A

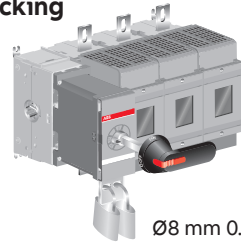


4



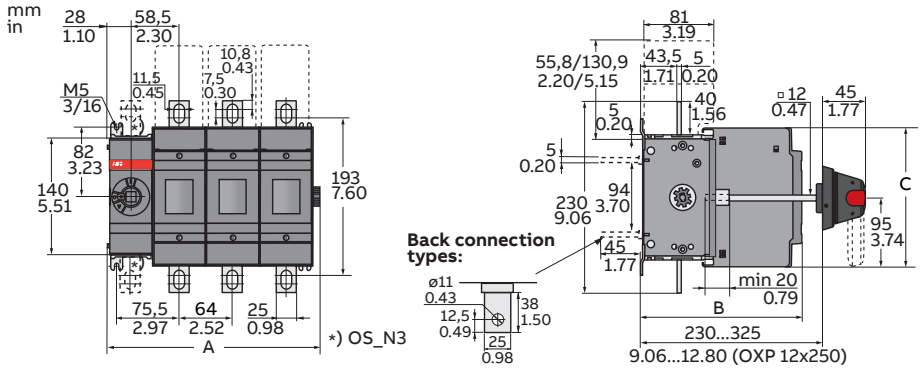
NOTE:  
min. 120 mm  
4.72 in

Locking

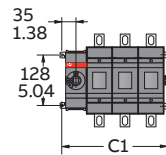
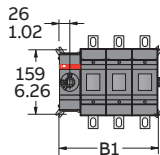
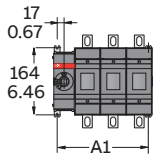


# Dimension drawings

## OS315-400\_01-04



C0000012 / OS315\_400\_01\_04 C

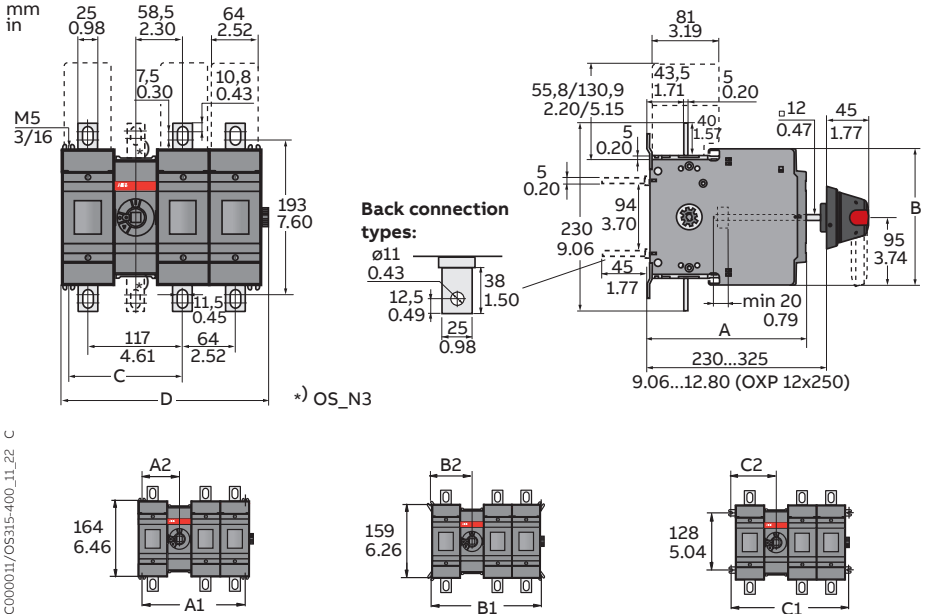


mm in	OS315-400								OS400			
	B01	B02	B03	B04	D01	D02	D03	D04	J01	J02	J03	J04
<b>A</b>	127	191	255	319	127	191	255	316	127/5.00	191/7.52	255/10.04	319/12.56
<b>B</b>	176	176	176	176	193	193	193	193	176/6.93	176/6.93	176/6.93	176/6.93
<b>C</b>	194	194	194	194	166	166	166	166	194/7.64	194/7.64	194/7.64	194/7.64

mm in	OS315-400				OS400			
	B01	B02	B03	B04	B01/D01/J01	B02/D02/J02	B03/D03/J03	B04/D04/J04
<b>A1</b>	98,5	162,5	226,5	290,5	98,5/3.88	162,5/6.40	226,5/8.92	290,5/11.44
<b>B1</b>	116,5	180,5	244,5	308,5	116,5/4.59	180,5/7.11	244,5/9.63	308,5/12.15
<b>C1</b>	134,5	198,5	262,5	326,5	134,5/5.30	198,5/7.81	262,5/10.33	326,5/12.85

# Dimension drawings

## OS315-400\_11-22



C000011/OS315-400\_11\_22 C

mm in	OS315-400										OS400				
	B11	B12	B13	B21	B22	D11	D12	D13	D21	D22	J11	J12	J13	J21	J22
A	176	176	176	176	176	193	193	193	193	193	176/6.93	176/6.93	176/6.93	176/6.93	176/6.93
B	194	194	194	194	194	166	166	166	166	166	194/7.84	194/7.64	194/7.64	194/7.64	194/7.64
C	140	140	140	204	204	140	140	140	204	204	140/5.51	140/5.51	140/5.51	204/8.03	204/8.03
D	190	254	318	254	318	190	254	318	254	318	190/7.48	254/10.00	318/12.52	254/10.00	318/12.52

mm in	OS315-400					OS400				
	B11	B12	B13	B21	B22	B11/D11/J11	B12/D12/J12	B13/D13/J13	B21/D21/J21	B22/D22/J22
A1	163	227	291	227	291	163/6.42	227/8.94	291/11.46	227/8.94	291/11.46
A2	81,5	81,5	81,5	145,5	145,5	81,5/3.21	81,5/3.21	81,5/3.21	145,5/5.73	145,5/5.73
B1	181	245	309	245	309	181/7.13	245/9.65	309/12.17	245/9.65	309/12.17
B2	90,5	90,5	90,5	154,5	154,5	90,5/3.56	90,5/3.56	90,5/3.56	154,5/6.08	154,5/6.08
C1	199	263	327	263	327	199/7.83	263/10.35	327/12.87	263/10.35	327/12.87
C2	99,5	99,5	99,5	163,5	163,5	99,5/3.92	99,5/3.92	99,5/3.92	163,5/6.44	163,5/6.44



**BG** Внимание! Опасно напрежение! Да се монтира само от лице с електротехническа квалификация.

**CN** 警告！电压危险！只能由专业电工进行安装。

**CZ** Varování! Nebezpečné napětí! Montáž smí provádět výhradně elektrotechnik!

**DA** Advarsel! Farlig elektrisk spænding! Installation må kun foretages af personer med elektroteknisk ekspertise.

**DE** Warnung! Gefährliche Spannung! Installation nur durch elektrotechnische Fachkraft.

**EL** Προειδοποίηση! Υψηλή τάση! Η εγκατάσταση πρέπει να γίνεται μόνο από εξειδικευμένους ηλεκτροτεχνικούς.

**EN** Warning! Hazardous voltage! Installation by person with electrotechnical expertise only.

**ES** ¡Advertencia! ¡Tensión peligrosa! La instalación deberá ser realizada únicamente por electricistas especializados.

**ET** Hoiautus! Ohtlik pinge. Paigaldada võib ainult elektrotehnika-alane ekspert.

**FI** Varoitus! Vaarallinen jännite! Asennuksen voi tehdä vain sähköalan ammattihenkilö.

**FR** Avertissement! Tension électrique dangereuse! Installation uniquement par des personnes qualifiées en électrotechnique.

**HR** Upozorenje! Opasan napon! Postavljati smije samo elektrotehnički stručnjak.

**HU** Figyelmeztetés! Veszélyes feszültség! Csak elektrotechnikai tapasztalattal rendelkező szakember helyezheti üzembe.

**IE** Rabhadh! Voltas gaiseach! Ba chóir do dhuine ag a bhfuil saineolas leictreicniúil, agus an té sin amháin, é seo a shuiteáil.

**IT** Avvertenza! Tensione pericolosa! Fare installare solo da un elettricista qualificato.

**LT** Dėmesio! Pavojinga įtampa! Dirbti leidžiama tik elektrotechniko patirties turintiems asmenims.

**LV** Uzmanību! Bīstami - elektrība! Montāžas darbus drīkst veikt tikai personas, kurām ir atbilstošas elektrotehnikās zināšanas.

**MT** Twissija! Voltagg perikoluż! Għandu jiġi installat biss minn persuna b'kompetenza elettroteknika.

**NL** Waarschuwing! Gevaarlijke spanning! Mag alleen geïnstalleerd worden door een deskundige elektrotechnicus.

**NO** Advarsel! Farlig spenning! Montering skal kun utføres av kvalifiserte personer med elektrokompetanse.

**PL** Ostrzeżenie! Niebezpieczne napięcie! Instalacji może dokonać wyłącznie osoba z fachową wiedzą w dziedzinie elektrotechniki.

**PT** Aviso! Tensão perigosa! A instalação só deve ser realizada por um electricista especializado.

**RO** Avertizare! Tensiune periculoasă! Instalarea trebuie efectuată numai de către o persoană cu experiență în electrotehnică.

**RU** Осторожно! Опасное напряжение! Монтаж должен выполняться только специалистом-электриком.

**SE** Varning! Farlig spänning! Installation får endast utföras av en elektriker.

**SK** Varovanie! Nebezpečné napätie! Montáž môže vykonávať iba skúsený elektrotechnik.

**SL** Opozorilo! Nevarna napetost! Vgradnjo lahko opravi le oseba z elektrotehničnim strokovnim znanjem.





---

## Contact us

### **ABB Oy**

Muottitie 2A, 65320

Vaasa, Finland

**[abb.com/lowvoltage](http://abb.com/lowvoltage)**