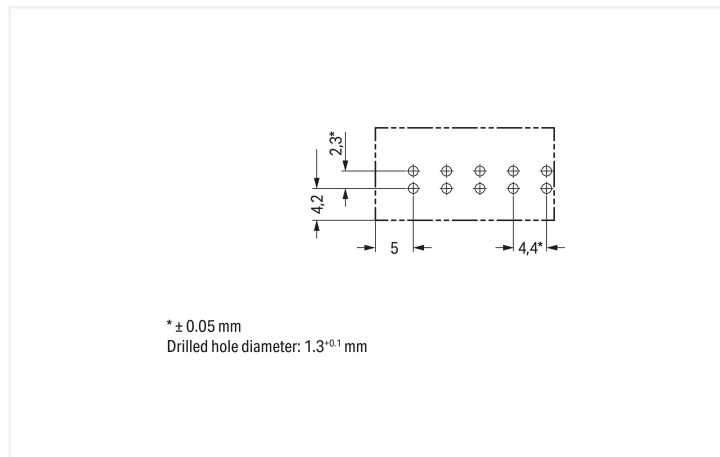


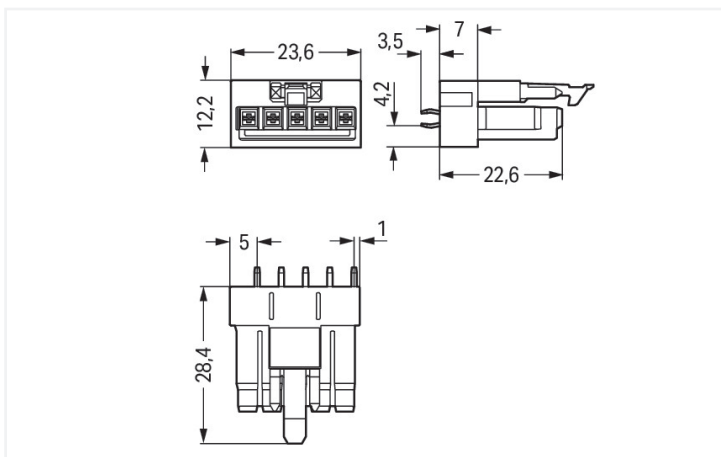
Data Sheet | Item Number: 890-805
Socket for PCBs; straight; 5-pole; Cod. A; black

<https://www.wago.com/890-805>



Color: ■ black

Dimensions in mm



Dimensions in mm

Female connector/socket WINSTA® MINI rated current 13 A

The WINSTA® MINI female connector/socket rated current 13 A offers very secure handling to support control and drive technology tasks. The pluggable PCB connectors with spring pressure connection technology and Push-in CAGE CLAMP® technology from WAGO allow fast, vibration-proof, maintenance-free terminal connections. For greater protection in electrical installations, the pcb connector is equipped with mechanical protection against mismatching. Standard mains applications for almost any domain of use can be realised with WINSTA® MINI pcb connectors with A coding. Particularly if only limited space is available, our smallest pluggable connection system, WINSTA® MINI, consistently displays its advantageous properties. It is very compact, and, with Push-in CAGE CLAMP® spring pressure connection technology, it also can be installed quickly, since the connection is low-maintenance and requires no screw connections.

WINSTA® MINI solutions for your electrical installation – protected against mismatching and maintenance-free

The WINSTA® Pluggable Connection System is ideally tailored to the very strict requirements of building installation. It makes electrical installation pluggable, and therefore more efficient, even more reliable, and error-free. Use of this pre-assembled system reduces time spent on assembly and errors during installation at the construction site. Now you can also lower installation expenses without compromising quality and safety: The WINSTA® MINI pcb connector with locking lever eliminates the need for servicing and prevents unnecessary downtime.

- protection against mismatching eliminates errors
- compact design for conductors with a cross-section up to 1.5 mm²
- with A coding for a great number of applications
- convenient installation and commissioning

Electrical data

| Ratings per | IEC/EN 60664-1 | | | Approvals per | UL 1977 |
|---------------------------------|----------------|-----|----|---------------|---------|
| Overvoltage category | III | III | II | Rated voltage | 600 V |
| Pollution degree | 3 | 2 | 2 | Rated current | 12 A |
| Nominal voltage | 250 V | - | - | | |
| Rated impulse withstand voltage | 4 kV | - | - | | |
| Rated current | 13 A | - | - | | |

General information

| | |
|----------------------------|--|
| Note on contact resistance | approx. 1 mΩ of contact resistance approx. 0.25 mΩ contact transition plug/ socket |
|----------------------------|--|

Connection Data

| | | | |
|----------------------------|---|---------------------|---|
| Total number of potentials | 5 | Connection 1 | |
| | | Pole number | 5 |

Physical data

| | |
|--------------------------------------|--------------------------|
| Pin spacing | 4.4 mm / 0.173 inches |
| Width | 23.6 mm / 0.929 inches |
| Height | 31.9 mm / 1.256 inches |
| Height from the surface | 28.4 mm / 1.118 inches |
| Depth | 12.2 mm / 0.48 inches |
| Solder pin length | 3.5 mm |
| Solder pin dimensions | 1 x 0.8 mm |
| Drilled hole diameter with tolerance | 1.3 ^(±0.1) mm |

Mechanical data

| | |
|---|--|
| Use | General mains applications |
| Coding | A |
| Variable coding | No |
| Marking | N ⊕ 1 2 3 |
| Potential marking | N ⊕ 1 2 3 |
| Mating force of a plug-in connection | approx. 20 ... 70 N (depending on pole number) |
| Retention force of a plug-in connection | Locked: > 80 N |
| Unmating force of a plug-in connection | Unlocked: approx. 20 ... 70 N (depending on pole number) |
| Number of mating cycles | 200, without resistive load |
| Design | straight |

Plug-in connection

| | |
|------------------------------------|---|
| Contact type (pluggable connector) | Female connector/socket |
| Connector (connection type) | for PCB |
| Mismating protection | Yes |
| Note on mismating protection | All <i>WINSTA</i> ® components are 100% protected against mismating when: a.) plugging different numbers of poles b.) plugging while rotated 180 c.) plugging while laterally staggered d.) plugging one pole |
| Mating direction to the PCB | 90 ° |
| Locking lever | Yes |
| Locking of plug-in connection | Locking lever |

Plug-in connection

Note on locking system

All connectors for mounted installations (snap-in versions for lighting fixtures or devices, all types of PCB and distribution connectors) are factory-equipped with locking levers to ensure plugs and sockets are securely locked. Additional locking levers are only required for flying leads (plug/socket).

PCB contact

| | |
|-------------------------------------|----------------------------|
| PCB contact | THT |
| Solder pin arrangement | 2 in-line solder pins/pole |
| Number of solder pins per potential | 2 |

Material data

| | |
|------------------------------------|--|
| Note (material data) | Information on material specifications can be found here |
| Color | black |
| Cover color | gray |
| Material group | I |
| Insulation material (main housing) | Polyamide (PA66) |
| Flammability class per UL94 | V0 |
| Clamping spring material | Chrome-nickel spring steel (CrNi) |
| Contact material | Copper or copper alloy; surface-treated |
| Contact Plating | Tin |
| Fire load | 0.087 MJ |
| Weight | 5.3 g |

Environmental requirements

| | |
|--|--|
| Processing temperature | -5 ... +40 °C |
| Continuous operating temperature | -35 ... +85 °C |
| Note on continuous operating temperature | Insulating parts for temperatures ≤ 105 °C |

Commercial data

| | |
|-----------------------|---------------|
| Product Group | 20 (Winsta) |
| PU (SPU) | 50 pcs |
| Packaging type | Box |
| Country of origin | PL |
| GTIN | 4050821695486 |
| Customs tariff number | 85366990990 |

Product Classification

| | |
|-------------|----------------------|
| UNSPSC | 39121409 |
| eCl@ss 10.0 | 27-44-06-05 |
| eCl@ss 9.0 | 27-44-06-05 |
| ETIM 9.0 | EC002637 |
| ETIM 10.0 | EC002637 |
| ECCN | NO US CLASSIFICATION |

Environmental Product Compliance

RoHS Compliance Status

Compliant, No Exemption

Approvals / Certificates

General approvals



| Approval | Standard | Certificate Name |
|--|-----------|------------------|
| CCA DEKRA Certification B.V. | EN 61535 | 71-123231 |
| CCA DEKRA Certification B.V. | IEC 61535 | NL-85020 |
| cURus Underwriters Laboratories Inc. | UL 1977 | E45171 |

Declarations of conformity and manufacturer's declarations

| Approval | Standard | Certificate Name |
|---|----------|------------------|
| EU-Declaration of Confor- mity WAGO GmbH & Co. KG | - | - |
| UK-Declaration of Confor- mity WAGO GmbH & Co. KG | - | - |

Approvals for marine applications




| Approval | Standard | Certificate Name |
|---|--------------------|-------------------|
| ABS American Bureau of Ship- ping | Steel Vessel Rules | 24-0095973-PDA |
| DNV GL Det Norske Veritas, Ger- manischer Lloyd | - | TAE00001Z6 |
| LR Lloyds Register | EN 61535 | LR23317167TA |
| PRS Polski Rejestr Statków | - | TE/1096/880590/23 |

Downloads


Environmental Product Compliance

Compliance Search

 Environmental Product
Compliance 890-805
 

CAD/CAE-Data

CAD data

 2D/3D Models 890-805
 

CAE data

 ZUKEN Portal 890-805
 