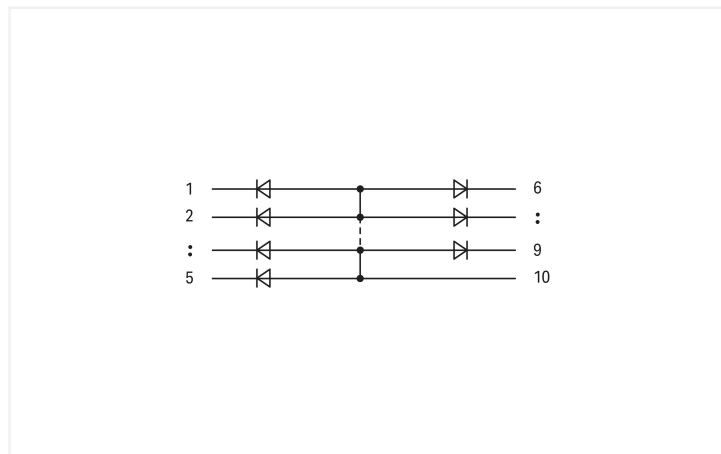


Data Sheet | Item Number: 286-809

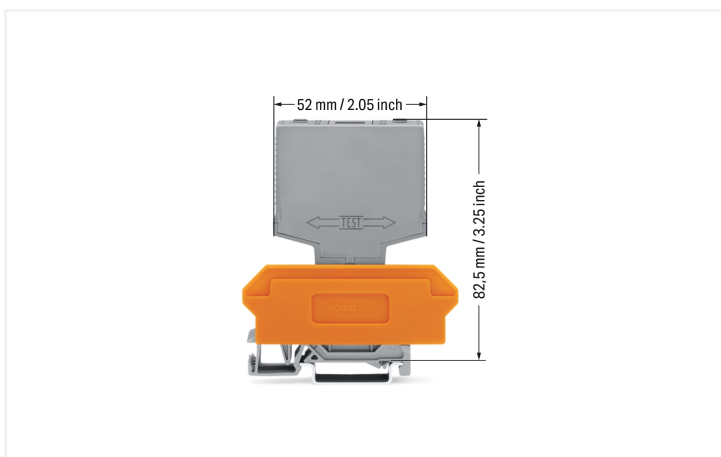
Component module with diode; with 9 pcs; Diode 1N4007; with common anode; gray

<https://www.wago.com/286-809>



Color: ■ gray

Similar to illustration



Notes

Note	Max. permissible forward current per the manufacturer's data sheet. With all diodes loaded, the continuous current must be reduced to 0.45 A.
------	---

Electrical data

Operating voltage	≤ 250 VAC/VDC
Peak reverse voltage	1000 V
Rectified current for each diode (resistive)	1 A
Type of diode	1N4007; with common anode
Number/type of diode/LED	9 diodes
Rectified current for each diode (resistive)	1 A

Safety and protection

Rated Voltage	250 V
Rated impulse withstand voltage	4 kV
Pollution degree	2

Physical data

Width	25 mm / 0.984 inches
Height	52 mm / 2.047 inches
Depth from upper-edge of DIN-rail	82.5 mm / 3.25 inches
Note (dimensions)	Depth including carrier terminal block

Mechanical data

Mounting type	Pluggable module for receptacle terminal blocks
Housing design	Plug for carrier terminal blocks

Material data

Color	gray
Fire load	0.445 MJ
Weight	28.3 g

Environmental requirements

Ambient temperature (operation)	-25 ... +40 °C
Relative humidity	5 ... 95 % (no condensation permissible)
Operating altitude (max.)	2000 m

Commercial data

Product Group	6 (INTERFACE ELECTRONIC)
PU (SPU)	10 (1) pcs
Packaging type	Box
Country of origin	DE
GTIN	4045454198091
Customs tariff number	85369010000

Product Classification

UNSPSC	39121629
eCl@ss 10.0	27-37-12-92
eCl@ss 9.0	27-37-92-16
ETIM 9.0	EC002024
ETIM 10.0	EC002024
ECCN	NO US CLASSIFICATION

Environmental Product Compliance

CAS-No.	7439-92-1 79-94-7
REACH Candidate List Substance	2,2',6,6'-tetrabromo-4,4'-isopropylidenediphenol Lead
RoHS Compliance Status	Compliant,With Exemption
RoHS Exemption	7(a)
SCIP notification number (Austria)	c2f6ced1-59a5-46e4-937e-b21843172044
SCIP notification number (Belgium)	d97b40a6-7995-4f35-aa7e-b8fbeb47371b
SCIP notification number (Bulgaria)	9c6595ac-2d95-4649-820d-62e4b1ba8ea8
SCIP notification number (Czech Republic)	6f7e8e7b-3520-4bb7-ac76-2bbe161a2e28
SCIP notification number (Denmark)	05d47890-081f-4a08-9fcd-193ac6d10ac4
SCIP notification number (Finland)	fd1f8809-3312-4118-ae3b-22ebb6ffe0a6
SCIP notification number (France)	709c8031-e487-4b15-a239-660c5440e64a
SCIP notification number (Germany)	151afae2-3386-47e6-b3b8-dd4f26915c4d
SCIP notification number (Hungary)	6310d0dc-a5a9-433f-9047-c2a019c0ea89
SCIP notification number (Italy)	b0b741a3-a91f-4838-8f8b-dc798b0e813b
SCIP notification number (Netherlands)	0867a036-a342-4cf9-97cc-86bff9e9f143
SCIP notification number (Poland)	e6c5cdbd-44d7-4922-b28c-21e719bbc0d3
SCIP notification number (Romania)	9e4ef1bf-cd01-434d-95c3-7885e0e420e3
SCIP notification number (Sweden)	056e9d38-7135-4d5c-a152-3d2528ba0a70

Approvals / Certificates

General approvals



Approval	Standard	Certificate Name
EAC GZO Almaty Standart	TP TC 004/2011	EAC CoC 03078

Downloads

Environmental Product Compliance

Compliance Search

Environmental Product Compliance 286-809	↓
--	-------------------

Documentation

Bid Text			
286-809	20.02.2019	docx 15.13 KB	↓
286-809	20.02.2019	xml 3.88 KB	↓

Instruction Leaflet			
Operation and Assembly Instructions Interface	V 1.0.0 02.04.2025	pdf 1246.19 KB	↓

CAD/CAE-Data

CAE data

WSCAD Universe
286-809

1 Compatible Products

1.1 Optional Accessories

1.1.1 Marking

1.1.1.1 Marker

**Item No.: 209-701**

WSB marking card; as card; not stretchable; plain; snap-on type; white

1.1.2 Terminal blocks

1.1.2.1 Terminal block for pluggable modules

**Item No.: 280-639**Terminal block for pluggable modules; 10-pole; with 2-conductor terminal blocks; with orange separator; for DIN-rail 35 x 15 and 35 x 7.5; 2.5 mm²; CAGE CLAMP®; 2,50 mm²; gray**Item No.: 280-765**Terminal block for pluggable modules; 10-pole; with 4-conductor terminal blocks; with marker carrier; with orange separator; for DIN-rail 35 x 15 and 35 x 7.5; 2.5 mm²; CAGE CLAMP®; 2,50 mm²; gray**Item No.: 280-629**Terminal block for pluggable modules; 10-pole; with 4-conductor terminal blocks; with orange separator; for DIN-rail 35 x 15 and 35 x 7.5; 2.5 mm²; CAGE CLAMP®; 2,50 mm²; gray