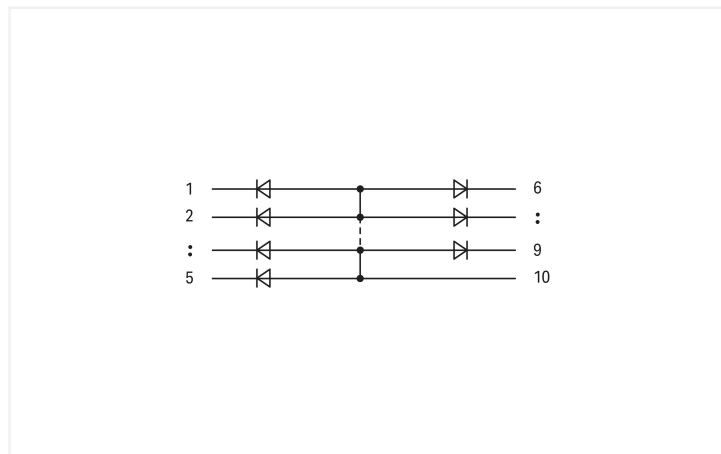


Data Sheet | Item Number: 286-807

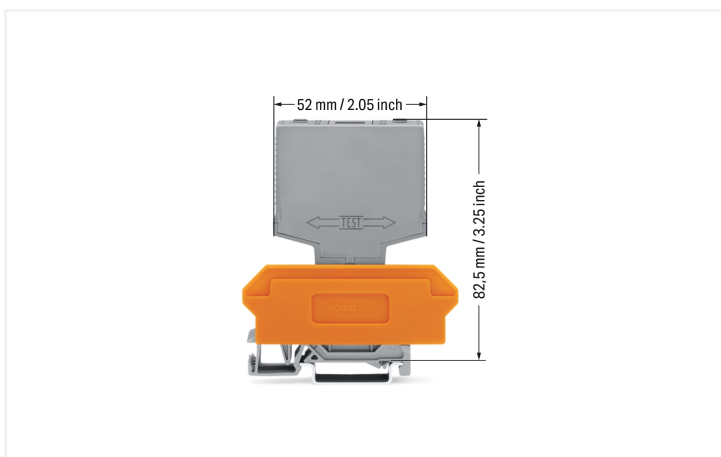
Component module with diode; with 7 pcs; Diode 1N4007; with common anode; gray

<https://www.wago.com/286-807>



Color: ■ gray

Similar to illustration



Notes

Note	Max. permissible forward current per the manufacturer's data sheet. With all diodes loaded, the continuous current must be reduced to 0.45 A.
------	-----------------------------------------------------------------------------------------------------------------------------------------------

Electrical data

Operating voltage	≤ 250 VAC/VDC
Peak reverse voltage	1000 V
Rectified current for each diode (resistive)	1 A
Type of diode	1N4007; with common anode
Number/type of diode/LED	7 diodes
Rectified current for each diode (resistive)	1 A

Safety and protection

Rated Voltage	250 V
Rated impulse withstand voltage	4 kV
Pollution degree	2

Physical data

Width	20 mm / 0.787 inches
Height	52 mm / 2.047 inches
Depth from upper-edge of DIN-rail	82.5 mm / 3.25 inches
Note (dimensions)	Depth including carrier terminal block

Mechanical data

Mounting type	Pluggable module for receptacle terminal blocks
Housing design	Plug for carrier terminal blocks

Material data

Color	gray
Fire load	0.39 MJ
Weight	23 g

Environmental requirements

Ambient temperature (operation)	-25 ... +40 °C
Relative humidity	5 ... 95 % (no condensation permissible)
Operating altitude (max.)	2000 m

Commercial data

Product Group	6 (INTERFACE ELECTRONIC)
PU (SPU)	10 (1) pcs
Packaging type	Box
Country of origin	DE
GTIN	4045454198084
Customs tariff number	85369010000

Product Classification

UNSPSC	39121629
eCl@ss 10.0	27-37-12-92
eCl@ss 9.0	27-37-92-16
ETIM 9.0	EC002024
ETIM 10.0	EC002024
ECCN	NO US CLASSIFICATION

Environmental Product Compliance

CAS-No.	7439-92-1 79-94-7
REACH Candidate List Substance	2,2',6,6'-tetrabromo-4,4'-isopropylidenediphenol Lead
RoHS Compliance Status	Compliant,With Exemption
RoHS Exemption	7(a)
SCIP notification number (Austria)	65ac8316-e37d-4c58-bb30-416abf4b60f3
SCIP notification number (Belgium)	20ff7050-194e-45c8-ac55-a2a5d952d042
SCIP notification number (Bulgaria)	d0c33f81-6d34-4d00-9ec2-54d7ae460503
SCIP notification number (Czech Republic)	07539d46-8d16-44e9-a26d-e3f913a3f86d
SCIP notification number (Denmark)	2f6f4612-3016-4674-9567-46c2a2a05a48
SCIP notification number (Finland)	ad93c21a-c3f6-4871-8bfc-98001f7916a4
SCIP notification number (France)	2ddb0758-73fb-4728-8a3f-fc7e1365094d
SCIP notification number (Germany)	532ce08e-068d-4731-ab8a-b05bb7d3dd75
SCIP notification number (Hungary)	f79d8925-01b8-4a40-b191-e4819bae3c78
SCIP notification number (Italy)	62312609-b561-4823-a357-01ee6f7be4c9
SCIP notification number (Netherlands)	923c7bb4-bbae-4f8b-8ada-27a1e2e52b2a
SCIP notification number (Poland)	68367116-ecba-4d56-a111-7a44368792ef
SCIP notification number (Romania)	390ad834-b628-4204-8480-73e7d0b531f2
SCIP notification number (Sweden)	aec73862-a4ce-4ea9-b7c4-91780c38a176

Approvals / Certificates

General approvals



Approval	Standard	Certificate Name
EAC GZO Almaty Standart	TP TC 004/2011	EAC CoC 03078

Downloads

Environmental Product Compliance

Compliance Search

Environmental Product Compliance 286-807	↓
------------------------------------------	-------------------

Documentation

Bid Text			
286-807	20.02.2019	docx 15.15 KB	↓
286-807	20.02.2019	xml 3.88 KB	↓

Instruction Leaflet			
Operation and Assembly Instructions Interface	V 1.0.0 02.04.2025	pdf 1246.19 KB	↓

CAD/CAE-Data

CAE data

WSCAD Universe
286-807



1 Compatible Products

1.1 Optional Accessories

1.1.1 Marking

1.1.1.1 Marker

**Item No.: 209-701**

WSB marking card; as card; not stretchable; plain; snap-on type; white

1.1.2 Terminal blocks

1.1.2.1 Terminal block for pluggable modules

**Item No.: 280-638**

Terminal block for pluggable modules; 8-pole; with 2-conductor terminal blocks; with orange separator; for DIN-rail 35 x 15 and 35 x 7.5; 2.5 mm²; CAGE CLAMP®; 2,50 mm²; gray

**Item No.: 280-764**

Terminal block for pluggable modules; 8-pole; with 4-conductor terminal blocks; with marker carrier; with orange separator; for DIN-rail 35 x 15 and 35 x 7.5; 2.5 mm²; CAGE CLAMP®; 2,50 mm²; gray

**Item No.: 280-628**

Terminal block for pluggable modules; 8-pole; with 4-conductor terminal blocks; with orange separator; for DIN-rail 35 x 15 and 35 x 7.5; 2.5 mm²; CAGE CLAMP®; 2,50 mm²; gray