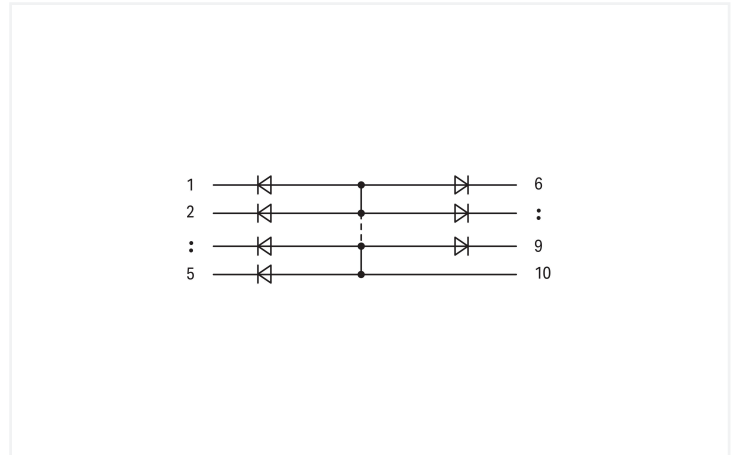


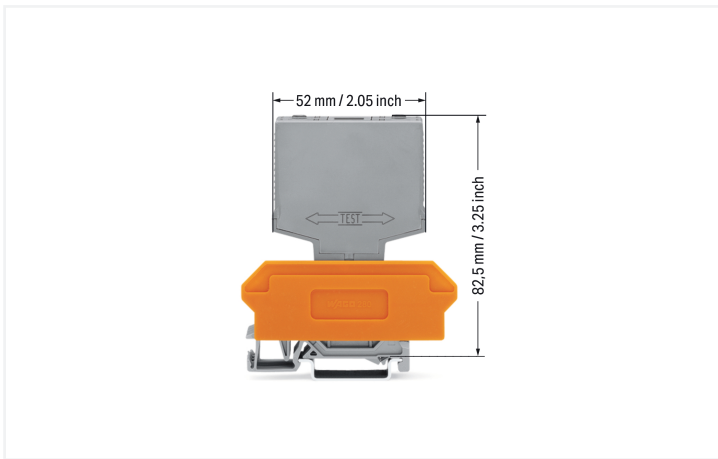
Data Sheet | Item Number: 286-805

Component module with diode; with 5 pcs; Diode 1N4007; with common anode; gray

<https://www.wago.com/286-805>



Color: ■ gray



Notes

Note	Max. permissible forward current per the manufacturer's data sheet. With all diodes loaded, the continuous current must be reduced to 0.45 A.
------	---

Electrical data

Operating voltage	≤ 250 VAC/VDC
Peak reverse voltage	1000 V
Rectified current for each diode (resistive)	1 A
Type of diode	1N4007; with common anode
Number/type of diode/LED	5 diodes
Rectified current for each diode (resistive)	1 A

Safety and protection

Rated Voltage	250 V
Rated impulse withstand voltage	4 kV
Pollution degree	2

Physical data

Width	15 mm / 0.591 inches
Height	52 mm / 2.047 inches
Depth from upper-edge of DIN-rail	82.5 mm / 3.25 inches
Note (dimensions)	Depth including carrier terminal block

Mechanical data

Mounting type	Pluggable module for receptacle terminal blocks
Housing design	Plug for carrier terminal blocks

Material data

Color	gray
Fire load	0.326 MJ
Weight	18.7 g

Environmental requirements

Ambient temperature (operation)	-25 ... +40 °C
Relative humidity	5 ... 95 % (no condensation permissible)
Operating altitude (max.)	2000 m

Commercial data

Product Group	6 (INTERFACE ELECTRONIC)
PU (SPU)	15 (1) pcs
Packaging type	Box
Country of origin	DE
GTIN	4045454198060
Customs tariff number	85369010000

Product Classification

UNSPSC	39121629
eCl@ss 10.0	27-37-12-92
eCl@ss 9.0	27-37-92-16
ETIM 9.0	EC002024
ETIM 10.0	EC002024
ECCN	NO US CLASSIFICATION

Environmental Product Compliance

CAS-No.	7439-92-1 79-94-7
REACH Candidate List Substance	2,2',6,6'-tetrabromo-4,4'-isopropylidenediphenol Lead
RoHS Compliance Status	Compliant,With Exemption
RoHS Exemption	7(a)
SCIP notification number (Austria)	68a24144-3530-432b-b35e-edea28797291
SCIP notification number (Belgium)	d82e3c24-0734-416c-843e-14f137dc0d4e
SCIP notification number (Bulgaria)	f4557550-1bea-482b-a069-84d0db54f207
SCIP notification number (Czech Republic)	ae523c8-f788-450c-a8c4-e4d1e6d5b960
SCIP notification number (Denmark)	Oda64124-34a7-49dc-9ed2-5d1f575268be
SCIP notification number (Finland)	2dfda91a-ec06-453e-82c1-17ff9f6ba701
SCIP notification number (France)	d7483564-8d41-4fc7-a4d7-97b69a99b97b
SCIP notification number (Germany)	efdaad11-8764-483c-9ef1-0eb656f244d5
SCIP notification number (Hungary)	f993cac8-3a2a-43a3-be68-5c0c979c5be6
SCIP notification number (Italy)	42939061-ac06-448d-ba27-9305d08ee241
SCIP notification number (Netherlands)	f93cb999-fbc8-4ed9-8be5-ff20439b20d8
SCIP notification number (Poland)	7c2cf2e7-77e2-4801-9b71-f23d2175fe06
SCIP notification number (Romania)	65b37b89-0996-4545-a5cf-c6ccc6081c2c
SCIP notification number (Sweden)	9cef1bbc-a6a6-4ff1-b678-730061022922

Approvals / Certificates

General approvals



Approval	Standard	Certificate Name
EAC GZO Almaty Standart	TP TC 004/2011	EAC CoC 03078

Downloads

Environmental Product Compliance

Compliance Search
Environmental Product Compliance 286-805 ↓

Documentation

Bid Text			
286-805	20.02.2019	docx 15.12 KB	↓
286-805	20.02.2019	xml 3.88 KB	↓

Instruction Leaflet			
Operation and Assembly Instructions Interface	V 1.0.0 02.04.2025	pdf 1246.19 KB	↓

CAD/CAE-Data

CAE data

WSCAD Universe
286-805



1 Compatible Products

1.1 Optional Accessories

1.1.1 Marking

1.1.1.1 Marker

**Item No.: 209-701**

WSB marking card; as card; not stretchable; plain; snap-on type; white

1.1.2 Terminal blocks

1.1.2.1 Terminal block for pluggable modules

**Item No.: 280-619**

Terminal block for pluggable modules; 6-pole; with 2-conductor terminal blocks; with orange separator; for DIN-rail 35 x 15 and 35 x 7.5; 2.5 mm²; CAGE CLAMP®; 2,50 mm²; gray

**Item No.: 280-763**

Terminal block for pluggable modules; 6-pole; with 4-conductor terminal blocks; with marker carrier; with orange separator; for DIN-rail 35 x 15 and 35 x 7.5; 2.5 mm²; CAGE CLAMP®; 2,50 mm²; gray

**Item No.: 280-609**

Terminal block for pluggable modules; 6-pole; with 4-conductor terminal blocks; with orange separator; for DIN-rail 35 x 15 and 35 x 7.5; 2.5 mm²; CAGE CLAMP®; 2,50 mm²; gray