

—
INSTALLATION INSTRUCTION

Switch fuses

OS1200-1250

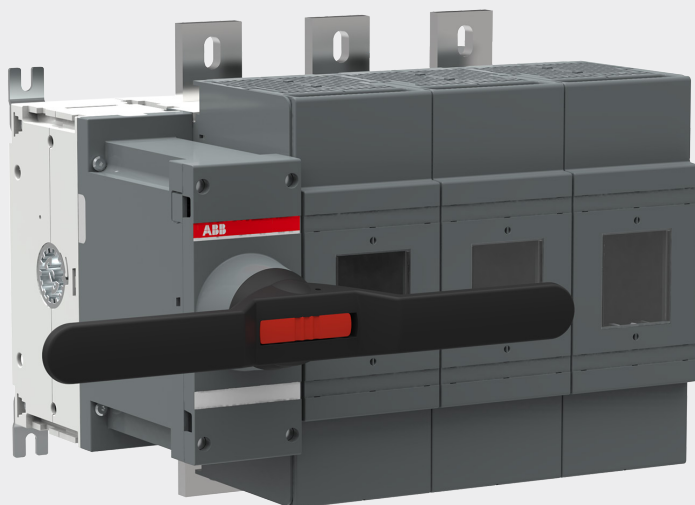
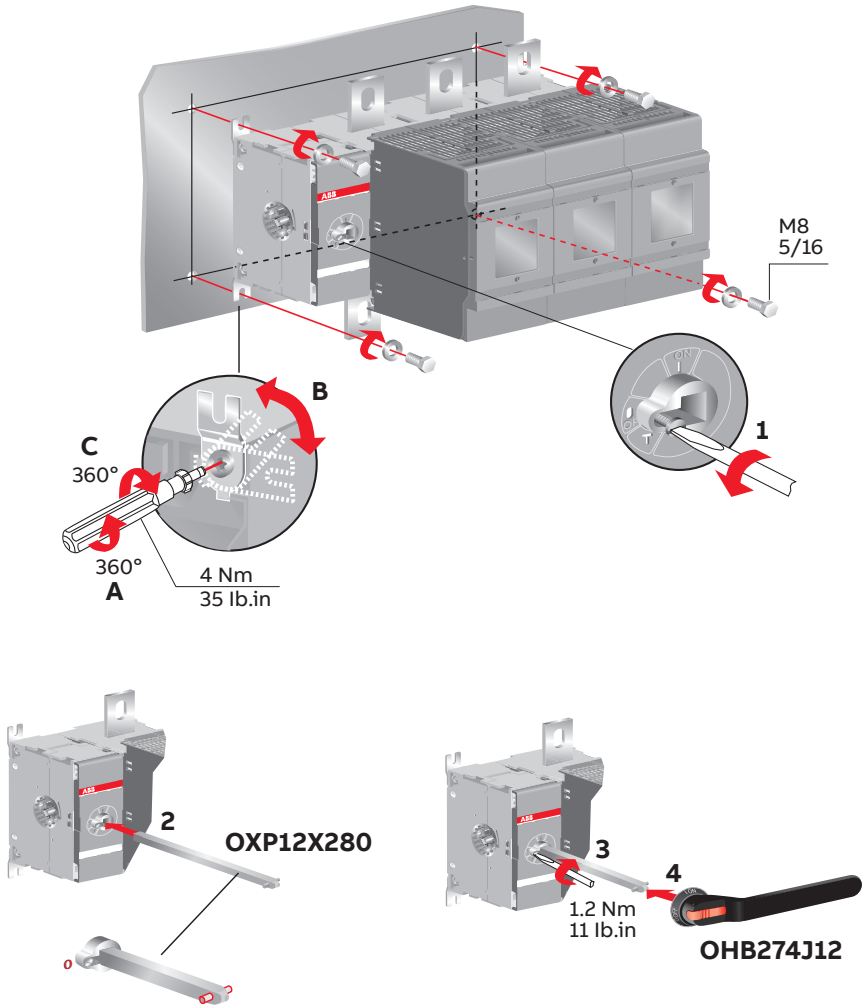


Table of contents

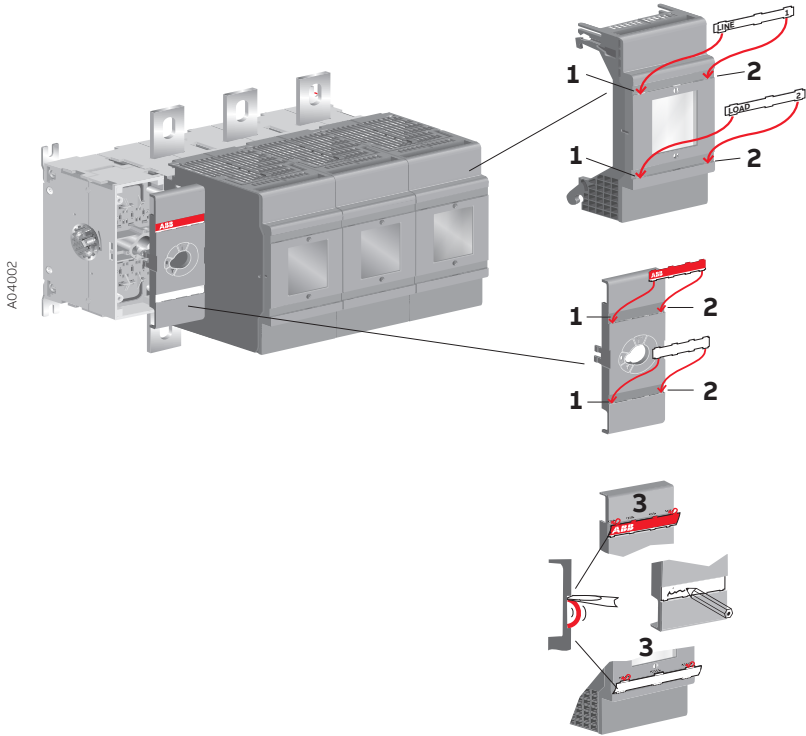
03	Installation
04	Labels
05	Clearances per UL98
06	Terminal shrouds OSS_
07	Terminal clamps OZX_
08	Fuse links
09	Auxiliary contacts OA_
10	Fourth pole OSP_
11	Handles OSV_
12	Neutral link OS_N3 & OXN1250S
13	Electronic fuse monitor OFS_
14	Module for aux contacts OEA28_
15	Interlocking OSZT4
16-17	Dimension drawings
19	Warning sheet

Installation

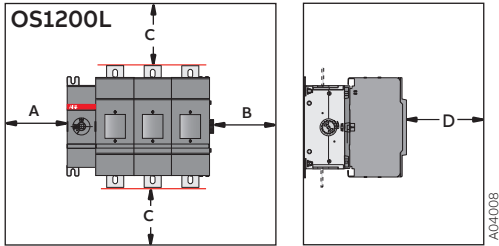


A04000

Labels



Clearances per UL98



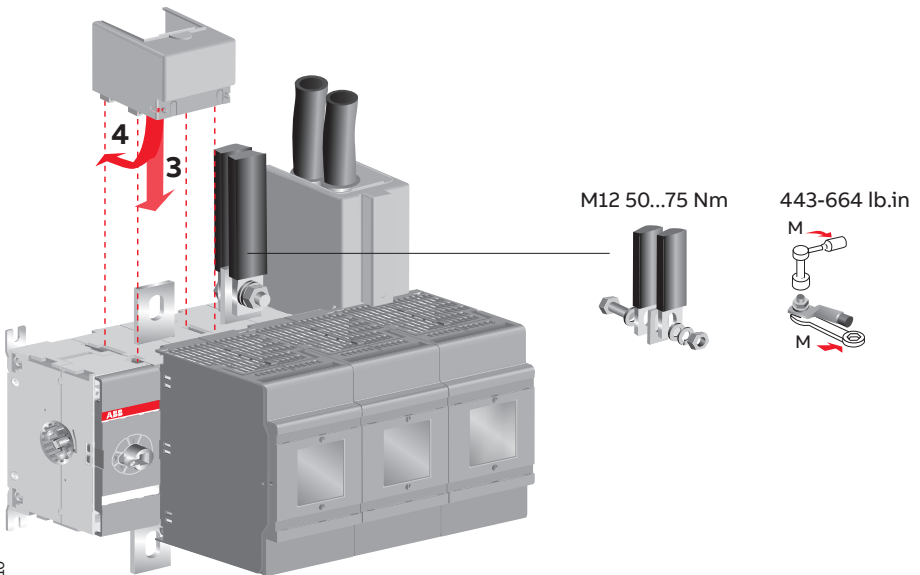
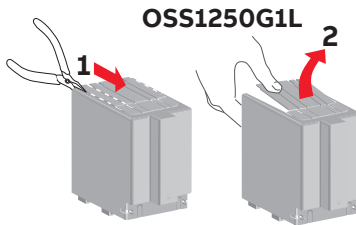
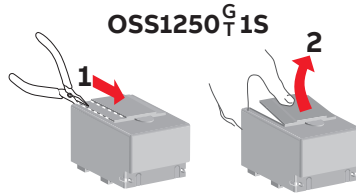
Minimum enclosure size or equivalent volume

Height	Width	Depth
1200 mm 47.28 in	750 mm 29.57 in	400 mm 15.76 in

A	B	D
0	13 mm / 0.5 in	13 mm / 0.5 in

C Cable size	
AWG	MCM
2	250
100mm / 4 in	200 mm / 8 in
1	300
100 mm / 4 in	250 mm / 10 in
1/0	350
125 mm / 5 in	300 mm / 12 in
2/0	400
150 mm / 6 in	330 mm / 13 in
3/0-4/0	500
175 mm / 7 in	356 mm / 14 in
	600
	381 mm / 15 in

Terminal shrouds OSS



Terminal clamps

OZX_

OS1200, OS1250

OZXB3

OZXB4

OZXB5

OZXB6

OZXB7L

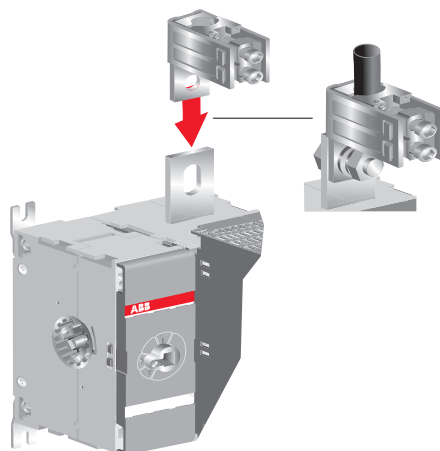
OZXB8

OZXB9

OS1200L

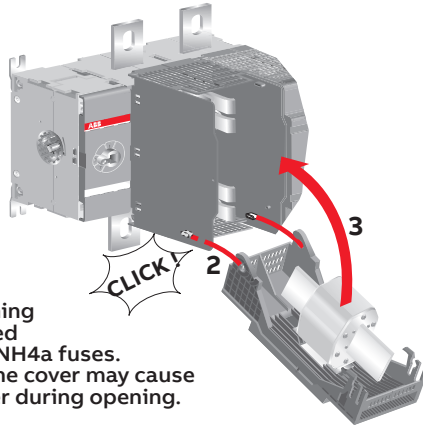
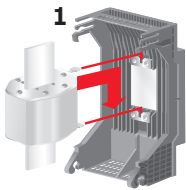
OZXA-1200

OZXA-1206



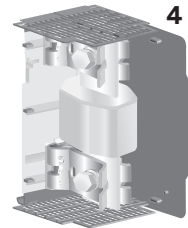
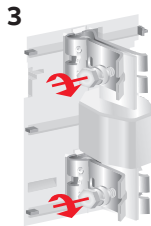
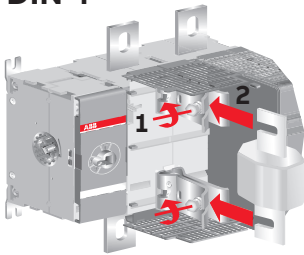
Fuse links

DIN 4a



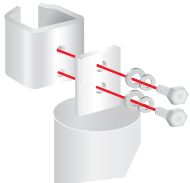
Note: Exercise caution when opening the fuse cover of a ceiling-mounted OS1250DA switch equipped with NH4a fuses. The high force required to open the cover may cause the fuses to detach from the cover during opening.

DIN 4



M12: 40 Nm 350 lb.in

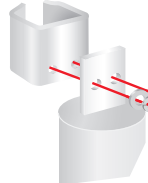
L



M12: 40 Nm 350 lb.in



BS

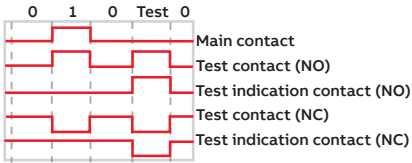
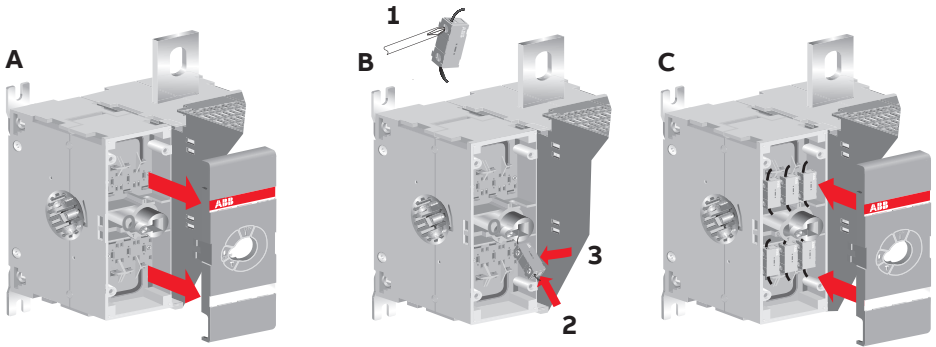


M12: 40 Nm 350 lb.in

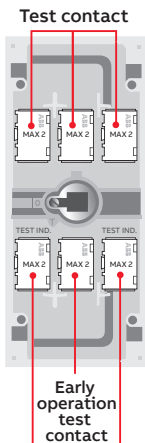


Auxiliary contacts

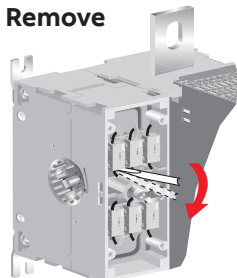
OA_



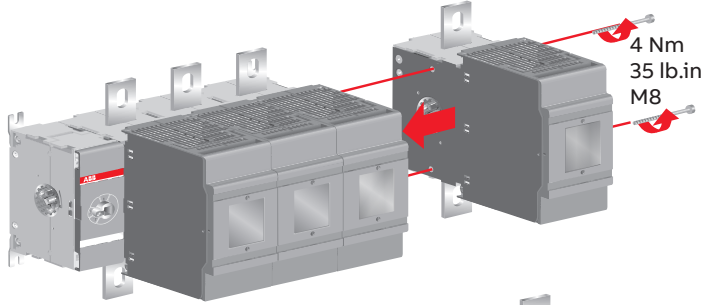
NO: OA1G10
NC: OA3G01



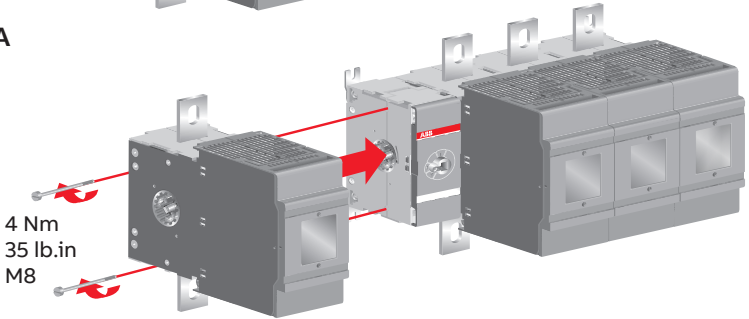
Remove



Fourth pole OSP_



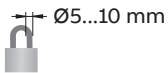
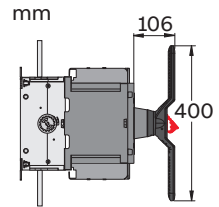
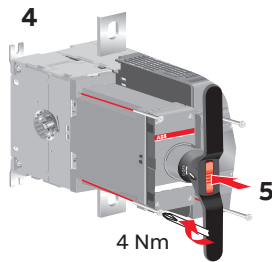
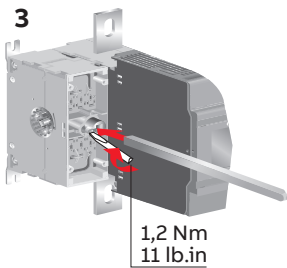
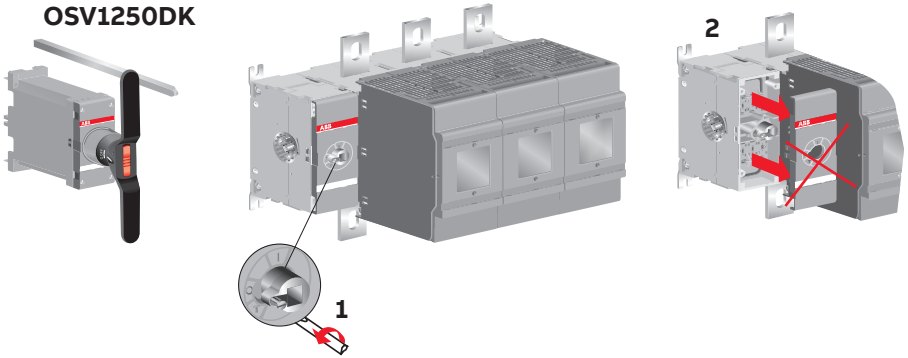
OSP1250N
OSP1250D
OSP1250DA
OSP1250B
OSP1250L



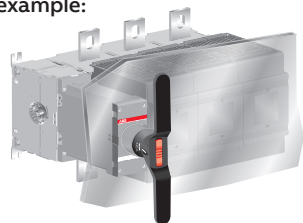
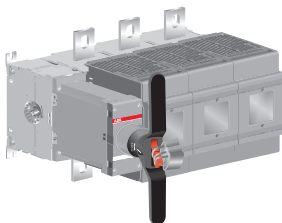
Handles

OSV_

OSV1250DK

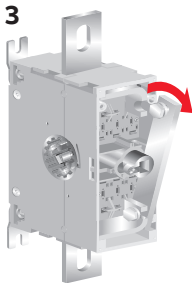
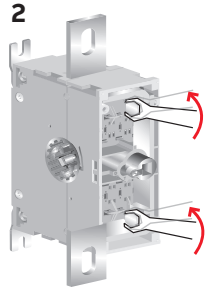


**Note: Use protection against direct contact.
For example:**

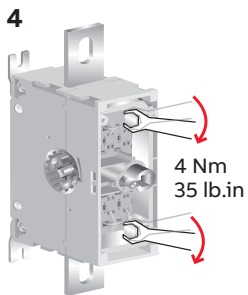
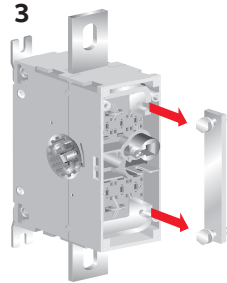


Neutral link

OS_N3 & OXN1250S

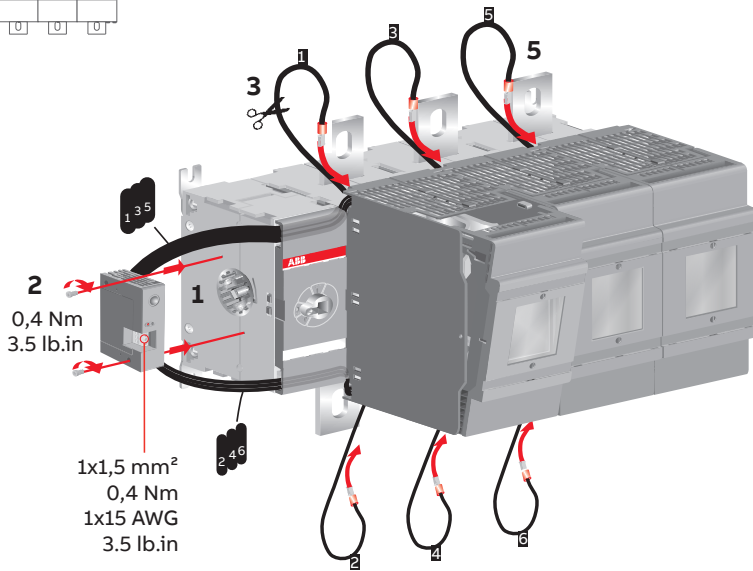
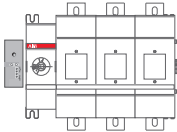


or

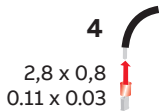


Electronic fuse monitor OFS_

OS1200-1250...+OFS_



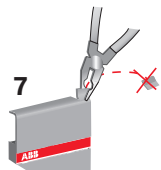
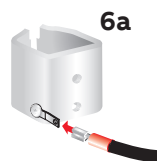
OFSMZX 2



OS1200D
OS1250DA

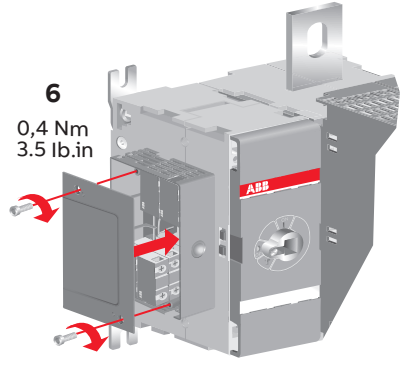
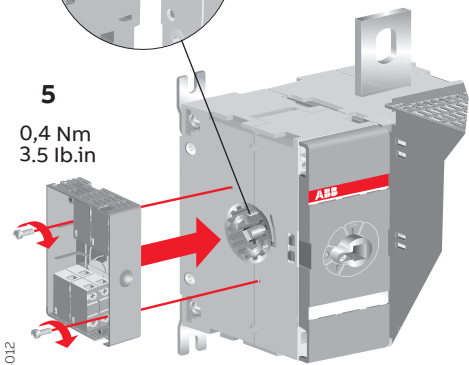
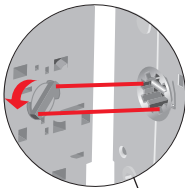
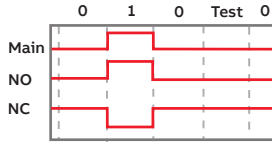
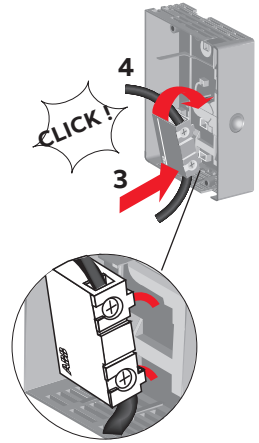
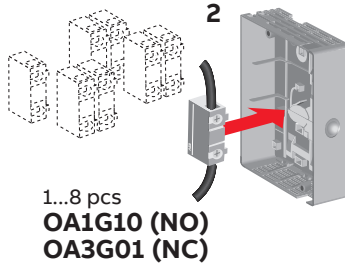
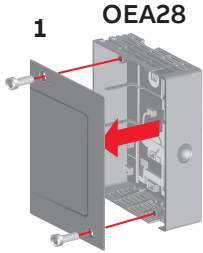


OS1250B
OS1200L



Module for aux contacts

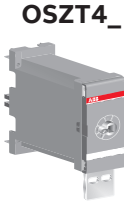
OEA28_



A04012

Interlocking

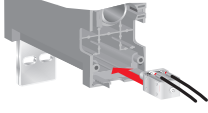
OSZT4



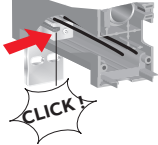
1
1A



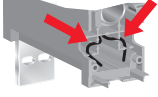
1B



1C

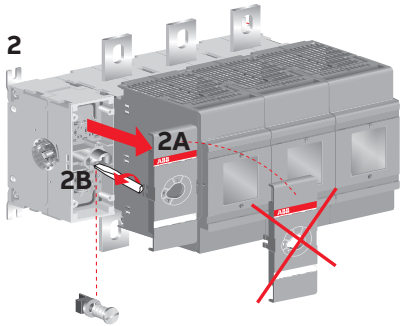


1D

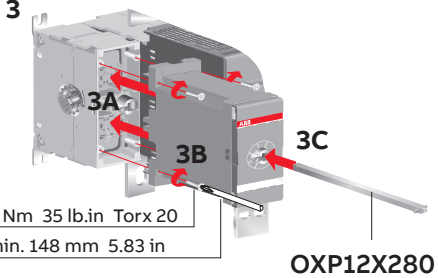


Flat connection 6,3-0,8 (DIN46244)

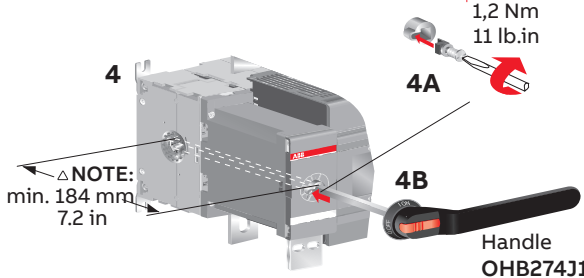
2



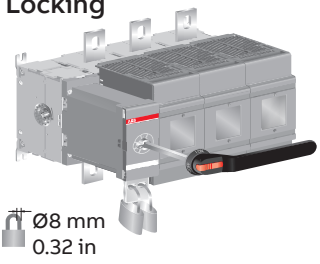
3



4



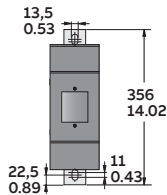
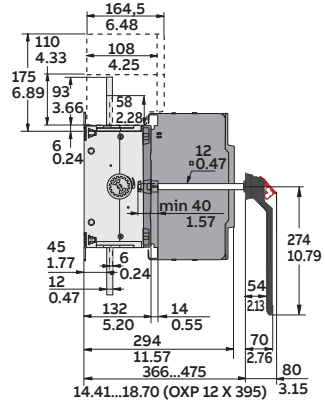
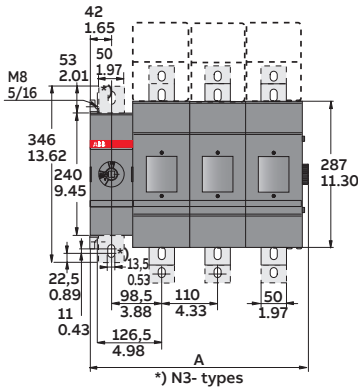
Locking



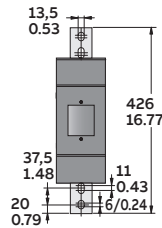
Dimension drawings

OS1200-1250_01-04

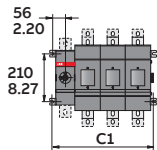
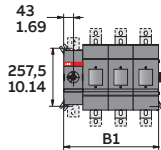
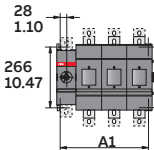
mm
in



OS1250D/B_



OS1200L_



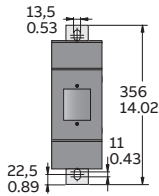
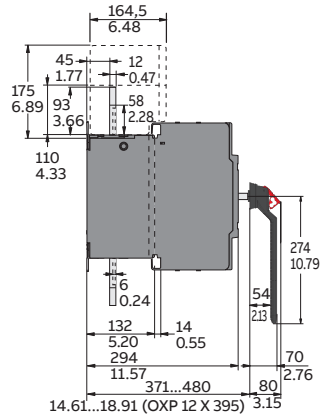
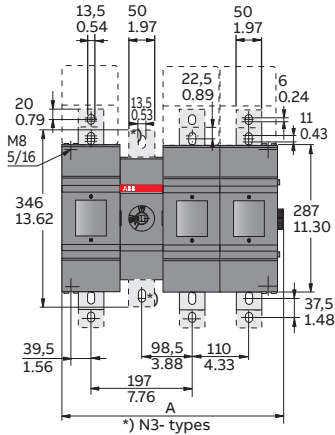
M002.07/OS1200-1250_01-04 C

OS1200/1250

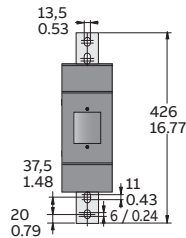
	D/L /B01	D/L /B02	D/L /B03	D/L /B04
A	209 / 8.23	319 / 12.56	429 / 16.89	539 / 21.22
A1	166 / 6.54	276 / 10.87	386 / 15.20	496 / 19.53
B1	196 / 7.72	306 / 12.05	416 / 16.38	526 / 20.71
C1	222 / 8.74	332 / 13.07	442 / 17.40	552 / 21.73

Dimension drawings

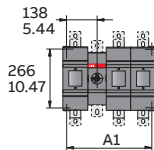
OS1200-1250_11-22

mm
in

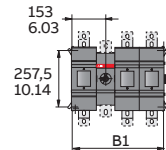
OS1250D/B_



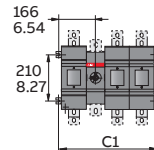
OS1200L_



A1



B1



C1

OS1200/1250

	D/L /B11	D/L /B12	D/L /B13	D/L /B22
A	322 / 12.68	432 / 17.01	542 / 21.34	542 / 21.34
A1	276 / 10.87	386 / 15.20	496 / 19.53	496 / 19.53
B1	306 / 12.05	416 / 16.38	526 / 20.71	526 / 20.71
C1	322 / 13.07	442 / 17.40	552 / 21.73	552 / 21.73



BG	Внимание! Опасно напряжение! Да се монтира само от лице с електротехническа квалификация.
CN	警告！电压危险！只能由专业电工进行安装。
CZ	Varování! Nebezpečné napětí! Montáž smí provádět výhradně elektrotechnik!
DA	Advarsel! Farlig elektrisk spænding! Installation må kun foretages af personer med elektroteknisk ekspertise.
DE	Warnung! Gefährliche Spannung! Installation nur durch elektrotechnische Fachkraft.
EL	Προειδοποίηση! Υψηλή τάση! Η εγκατάσταση πρέπει να γίνεται μόνο από εξειδικευμένους ηλεκτροτεχνικούς.
EN	Warning! Hazardous voltage! Installation by person with electrotechnical expertise only.
ES	¡Advertencia! ¡Tensión peligrosa! La instalación deberá ser realizada únicamente por electricistas especializados.
ET	Hoiatus! Ohtlik pinge. Paigaldada võib ainult elektrotehnika-alane ekspert.
FI	Varoitus! Vaarallinen jännite! Asennuksen voi tehdä vain sähköalan ammattihenkilö.
FR	Avertissement! Tension électrique dangereuse! Installation uniquement par des personnes qualifiées en électrotechnique.
HR	Upozorenje! Opasan napon! Postavljati smije samo elektrotehnički stručnjak.
HU	Figyelmeztetés! Veszélyes feszültség! Csak elektrotechnikai tapasztalattal rendelkező szakember helyezheti üzembe.
IE	Rabhadh! Voltas guaiseach! Ba chóir do dhuine ag a bhfuil saineolas leictreicniúil, agus an té sin ainmhin, é seo a shuiteáil.
IT	Avvertenza! Tensione pericolosa! Fare installare solo da un elettricista qualificato.
LT	Dėmesio! Pavojinga įtampa! Dirbti leidžiama tik elektrotechniko patirties turintiems asmenims.
LV	Uzmanību! Bīstami - elektrība! Montāžas darbus drīkst veikt tikai personas, kurām ir atbilstošas elektrotehniskās zināšanas.
MT	Twissija! Vultagħ perikoluż! Għandu jiġi installat biss minn persuna b'kompetenza elettroteknika.
NL	Waarschuwing! Gevaarlijke spanning! Mag alleen geïnstalleerd worden door een deskundige elektrotechnicus.
NO	Advarsel! Farlig spenning! Montering skal kun utføres av kvalifiserte personer med elektrokompetanse.
PL	Ostrzeżenie! Niebezpieczne napięcie! Instalacji może dokonać wyłącznie osoba z fachową wiedzą w dziedzinie elektrotechniki.
PT	Aviso! Tensão perigosa! A instalação só deve ser realizada por um eletricista especializado.
RO	Avertizare! Tensiune periculoasă! Instalarea trebuie efectuată numai de către o persoană cu experiență în electrotehnică.
RU	Осторожно! Опасное напряжение! Монтаж должен выполняться только специалистом-электриком.
SE	Varning! Farlig spänning! Installation får endast utföras av en elektriker.
SK	Varovanie! Nebezpečné napätie! Montáž môže vykonávať iba skúsený elektrotechnik.
SL	Opozorilo! Nevarna napetost! Vgradnjo lahko opravi le oseba z elektrotehničnim strokovnim znanjem.



Contact us

ABB Oy

Muottitie 2A, 65320

Vaasa, Finland

abb.com/lowvoltage