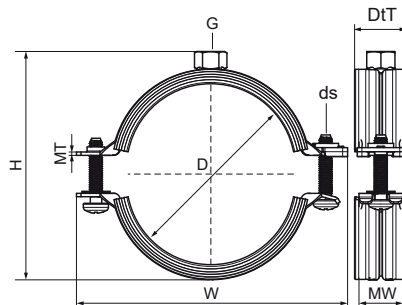


Walraven Bifix® G2 with Lining (M8) (BUP1000)

(A0544)

for steel, copper, cast iron and plastic (multilayer) pipe



Features & benefits

- two-screw clamp
- quick closing mechanism for easy locking of the clamp with one hand
- 2 component rubber lining provides easy positioning of the pipe during installation
- when the clamp is closed, the pipe rests on soft black rubber lining for increased noise reduction
- suitable for steel, copper, cast iron and plastic (multilayer) pipe
- material: steel
- product is part of the Walraven BIS UltraProtect® 1000 system
- suitable for in- and outdoor applications
- stands min. 1,000 hours salt spray test (max. 5% red rust) according to ISO 9227
- temperature resistance from -30 °C to +120 °C
- sound insulating lining according DIN 4109
- noise reduction according to ISO 3822-1 up to 23 dB(A)



Product Number	Outside Pipe Diameter	DN	Pipe Diameter Imperial	Connection Thread	Total Height	Total Width	Total Depth	Material Width	Material Thickness	Screw Size	Maximum Allowed Load Faz	Approvals
Reference Letter	D	D	D	G	H	W	DtT	MW	MT	ds	Fa,z	
Unit description	mm		"		mm	mm	mm	mm	mm		N	
31185019	15 - 19	DN 10	3/8	M8	38	63	24	20	1.25	M6	700	RAL-GZ 655/B, ITB (KOT), ISO 3822-1, EPD
31185023	20 - 23	DN 15	1/2	M8	43	68	24	20	1.25	M6	700	RAL-GZ 655/B, ITB (KOT), ISO 3822-1, EPD
31185028	25 - 28	DN 20	3/4	M8	49	74	24	20	1.25	M6	700	RAL-GZ 655/B, ITB (KOT), ISO 3822-1, EPD
31185035	31 - 35	DN 25	1	M8	59	80	24	20	1.25	M6	700	RAL-GZ 655/B, ITB (KOT), ISO 3822-1, EPD
31185039	36 - 39	-	-	M8	63	84	24	20	1.25	M6	700	RAL-GZ 655/B, ITB (KOT), ISO 3822-1, EPD
31185045	40 - 45	DN 32	1 1/4	M8	68	91	24	20	1.25	M6	700	RAL-GZ 655/B, ITB (KOT), ISO 3822-1, EPD
31185052	48 - 52	DN 40	1 1/2	M8	76	97	24	20	1.25	M6	700	RAL-GZ 655/B, ITB (KOT), ISO 3822-1, EPD
31185058	54 - 58	-	-	M8	86	104	24	20	1.25	M6	700	RAL-GZ 655/B, ITB (KOT), ISO 3822-1, EPD
31185064	60 - 64	DN 50	2	M8	93	109	24	20	1.25	M6	700	RAL-GZ 655/B, ITB (KOT), ISO 3822-1, EPD
31185070	66 - 70	-	-	M8	99	118	24	20	1.50	M6	800	RAL-GZ 655/B, ITB (KOT), ISO 3822-1, EPD
31185079	75 - 76	DN 65	2 1/2	M8	105	125	24	20	1.50	M6	800	RAL-GZ 655/B, ITB (KOT), ISO 3822-1, EPD
31185083	80 - 83	-	-	M8	112	132	24	20	1.50	M6	800	RAL-GZ 655/B, ITB (KOT), ISO 3822-1, EPD
31185014	10 - 14	DN 8	1/4	M8	34	59	24	20	1.25	M6	700	RAL-GZ 655/B, ITB (KOT), ISO 3822-1, EPD