

Ball joint

- suitable for damper crank arm KH8

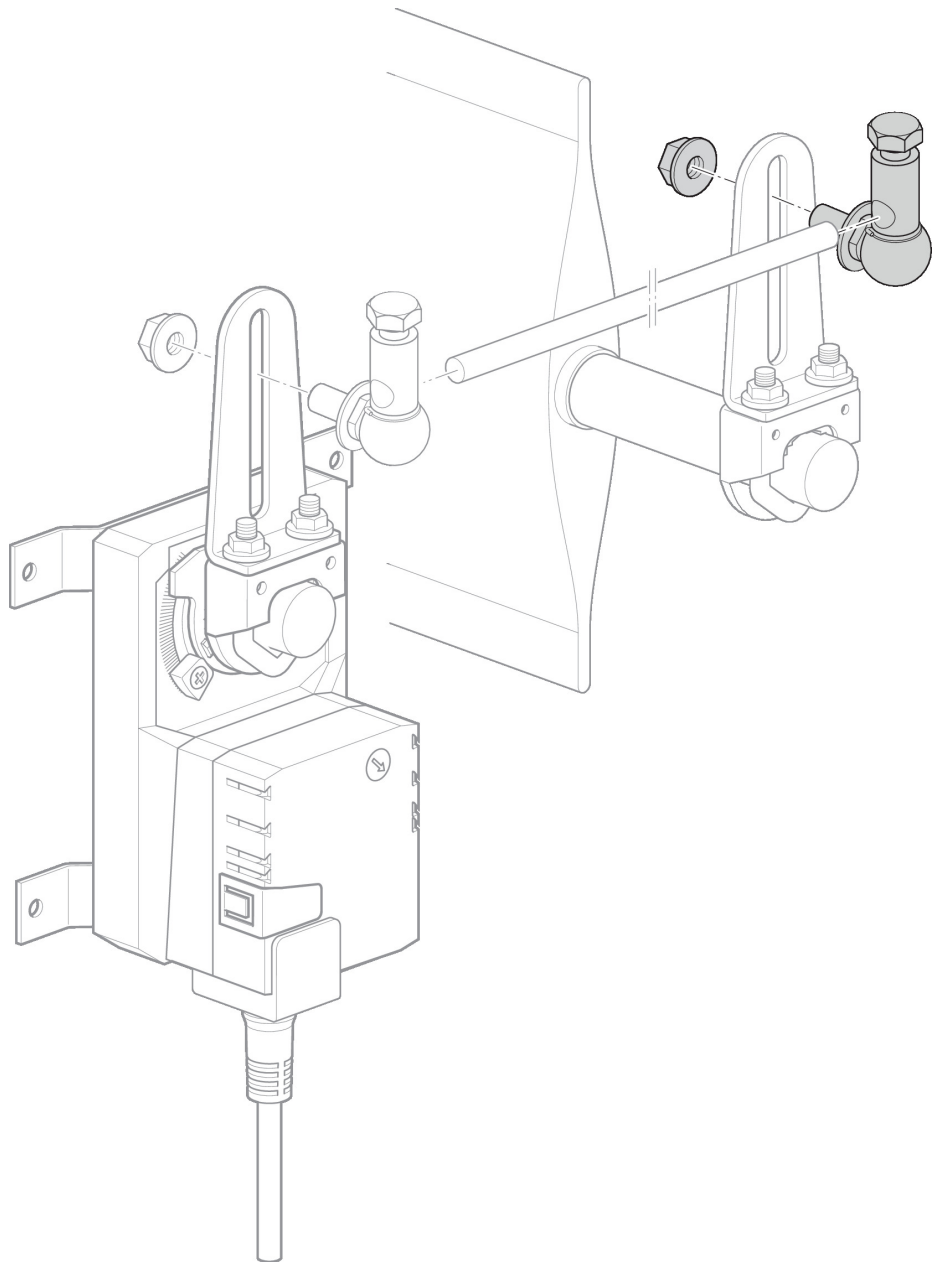
**Technical data**

Weight	Weight	0.063 kg
	Packaging quantity	Multipack 10 pcs.

Product features

Used materials	Galvanised steel
-----------------------	------------------

Application Suitable for LF., LMQ..A, NF..A, NKQ..A, NM..A, NMC..A, NMQ..A, SF..A, SM..A, SMC..A, SMD..A, TF..



Dimensions

Dimensional drawings

