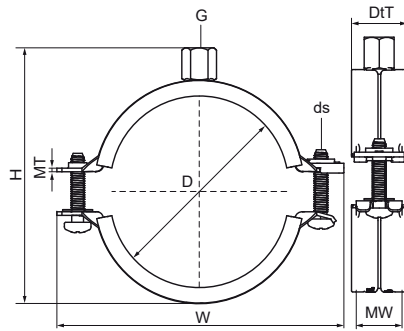


Walraven KSB2 Clamp (M8/M10)

(A05116)

for steel, copper, cast iron and plastic (multilayer) pipe



Features & benefits

- two-screw clamp
- quick closing mechanism for easy locking of the clamp with one hand
- full range from 10 to 225 mm
- tested for fire safety
- material: steel
- zinc plated
- temperature resistance from -30 °C to +120 °C
- sound insulating lining according DIN 4109
- noise reduction according to ISO 3822-1 up to 21 dB(A)



Product Number	Outside Pipe Diameter	DN	Pipe Diameter Imperial	Connection Thread	Total Height	Total Width	Total Depth	Material Width	Material Thickness	Screw Size	Maximum Allowed Load Faz	Approvals
Reference Letter	D	D	D	G	H	W	DdT	MW	MT	ds	Fa,z	
Unit description	mm		"		mm	mm	mm	mm	mm		N	
3396014	10 - 14	DN 8	1/4	M8/M10	42	59	25	20	1.25	M6	495	CE, ETA, RAL-GZ 655/B, ITB (KOT), EPD, EN1363-1
3396019	15 - 19	DN 10	3/8	M8/M10	46	63	25	20	1.25	M6	495	CE, ETA, RAL-GZ 655/B, ITB (KOT), EPD, EN1363-1
3396023	20 - 23	DN 15	1/2	M8/M10	51	68	25	20	1.25	M6	495	CE, ETA, RAL-GZ 655/B, ITB (KOT), EPD, EN1363-1
3396028	25 - 28	DN 20	3/4	M8/M10	57	74	25	20	1.25	M6	495	CE, ETA, RAL-GZ 655/B, ITB (KOT), EPD, EN1363-1
3396035	31 - 35	DN 25	1	M8/M10	63	80	25	20	1.25	M6	495	CE, ETA, RAL-GZ 655/B, ITB (KOT), EPD, EN1363-1
3396039	36 - 39	-	-	M8/M10	67	84	25	20	1.25	M6	495	CE, ETA, RAL-GZ 655/B, ITB (KOT), EPD, EN1363-1
3396045	40 - 45	DN 32	1 1/4	M8/M10	74	91	25	20	1.25	M6	495	CE, ETA, RAL-GZ 655/B, ITB (KOT), EPD, EN1363-1
3396052	48 - 52	DN 40	1 1/2	M8/M10	80	97	25	20	1.25	M6	495	CE, ETA, RAL-GZ 655/B, ITB (KOT), EPD, EN1363-1
3396058	54 - 58	-	-	M8/M10	87	104	25	20	1.25	M6	495	CE, ETA, RAL-GZ 655/B, ITB (KOT), EPD, EN1363-1
3396064	60 - 64	DN 50	2	M8/M10	92	109	25	20	1.25	M6	495	CE, ETA, RAL-GZ 655/B, ITB (KOT), EPD, EN1363-1
3396070	66 - 70	-	-	M8/M10	100	118	25	20	1.50	M6	560	CE, ETA, RAL-GZ 655/B, ITB (KOT), EPD, EN1363-1
3396079	75 - 79	DN 65	2 1/2	M8/M10	108	125	25	20	1.50	M6	560	CE, ETA, RAL-GZ 655/B, ITB (KOT), EPD, EN1363-1
3396083	80 - 83	-	-	M8/M10	114	132	25	20	1.50	M6	560	CE, ETA, RAL-GZ 655/B, ITB (KOT), EPD, EN1363-1
3396091	88 - 91	DN 80	3	M8/M10	123	142	28	23	2.00	M6	1,055	CE, ETA, RAL-GZ 655/B, ITB (KOT), EPD, EN1363-1
3396105	100 - 105	-	-	M8/M10	137	155	28	23	2.00	M6	1,055	CE, ETA, RAL-GZ 655/B, ITB (KOT), EPD, EN1363-1
3396115	108 - 115	DN 100	4	M8/M10	145	164	28	23	2.00	M6	1,055	CE, ETA, RAL-GZ 655/B, ITB (KOT), EPD, EN1363-1
3396130	125 - 130	-	-	M8/M10	162	181	28	23	2.00	M6	1,055	CE, ETA, RAL-GZ 655/B, ITB (KOT), EPD, EN1363-1
3396140	133 - 140	DN 125	5	M8/M10	173	191	28	23	2.00	M6	1,055	CE, ETA, RAL-GZ 655/B, ITB (KOT), EPD, EN1363-1
3396160	152 - 160	-	-	M8/M10	193	211	28	23	2.00	M6	1,055	CE, ETA, RAL-GZ 655/B, ITB (KOT), EPD, EN1363-1
3396169	165 - 169	DN 150	6	M8/M10	203	225	29	25	2.50	M8	2,250	CE, ETA, RAL-GZ 655/B, ITB (KOT), EPD
3396180	176 - 180	-	-	M8/M10	216	238	29	25	2.50	M8	2,250	CE, ETA, RAL-GZ 655/B, ITB (KOT), EPD

Walraven KSB2 Clamp (M8/M10)

(A05116)

for steel, copper, cast iron and plastic (multilayer) pipe

Product Number	Outside Pipe Diameter	DN	Pipe Diameter Imperial	Connection Thread	Total Height	Total Width	Total Depth	Material Width	Material Thickness	Screw Size	Maximum Allowed Load Faz	Approvals
<i>Reference Letter</i>	<i>D</i>	<i>D</i>	<i>D</i>	<i>G</i>	<i>H</i>	<i>W</i>	<i>DtT</i>	<i>MW</i>	<i>MT</i>	<i>ds</i>	<i>Fa,z</i>	
<i>Unit description</i>	<i>mm</i>		<i>"</i>		<i>mm</i>	<i>mm</i>	<i>mm</i>	<i>mm</i>	<i>mm</i>		<i>N</i>	
3396200	192 - 200	-	-	M8/M10	235	257	29	25	2.50	M8	2,250	CE, ETA, RAL-GZ 655/B, ITB (KOT), EPD
3396210	205 - 210	-	-	M8/M10	247	269	29	25	2.50	M8	2,250	CE, ETA, RAL-GZ 655/B, ITB (KOT), EPD
3396225	219 - 225	DN 200	8	M8/M10	261	283	29	25	2.50	M8	2,250	CE, ETA, RAL-GZ 655/B, ITB (KOT), EPD