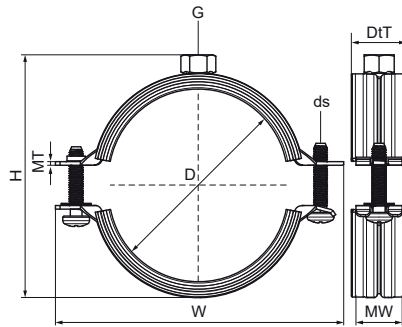


Walraven 2S Clamp with Lining (M8)

(A05132)

for steel, copper, cast iron and plastic (multilayer) pipe



Features & benefits

- gapless range
- rubber lining grips in steel parts to prevent sliding of the lining
- anti loss washers prevent screws from falling out during installation
- material: steel
- zinc plated
- temperature resistance from -30 °C to +120 °C
- sound insulating lining according DIN 4109
- noise reduction according to ISO 3822-1 up to 22 dB(A)



Product Number	Outside Pipe Diameter	DN	Pipe Diameter Imperial	Connection Thread	Total Height	Total Width	Total Depth	Material Width	Material Thickness	Screw Size	Maximum Allowed Load Faz	Approvals
Reference Letter	D	D	D	G	H	W	DtT	MW	MT	ds	F _{0,z}	
Unit description	mm		"		mm	mm	mm	mm	mm		N	
33335014	10 - 14	DN 8	1/4	M8	32	51	23	20	1.00	M5	330	ITB (KOT), EPD
33335019	15 - 19	DN 10	3/8	M8	37	56	23	20	1.00	M5	330	ITB (KOT), EPD
33335024	20 - 24	DN 15	1/2	M8	43	62	23	20	1.00	M5	330	ITB (KOT), EPD
33335030	25 - 30	DN 20	3/4	M8	50	69	23	20	1.00	M5	330	ITB (KOT), EPD
33335037	31 - 37	DN 25	1	M8	56	75	23	20	1.00	M5	330	ITB (KOT), EPD
33335046	38 - 46	DN 32	1 1/4	M8	66	84	23	20	1.25	M5	500	ITB (KOT), EPD
33335052	47 - 52	DN 40	1 1/2	M8	75	93	23	20	1.25	M5	500	ITB (KOT), EPD
33335061	53 - 61	DN 50	2	M8	81	99	23	20	1.25	M5	500	ITB (KOT), EPD
33335067	62 - 67	-	-	M8	87	106	23	20	1.25	M5	500	ITB (KOT), EPD