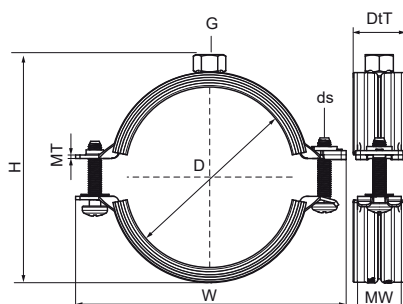


## Walraven Bifix® G2 with Lining (M10) (BUP1000)

(A0572)

for steel, copper, cast iron and plastic (multilayer) pipe



### Features & benefits

- two-screw clamp
- quick closing mechanism for easy locking of the clamp with one hand
- 2 component rubber lining provides easy positioning of the pipe during installation
- when the clamp is closed, the pipe rests on soft black rubber lining for increased noise reduction
- material: steel
- product is part of the Walraven BIS UltraProtect® 1000 system
- suitable for in- and outdoor applications
- stands min. 1,000 hours salt spray test (max. 5% red rust) according to ISO 9227
- temperature resistance from -30 °C to +120 °C
- sound insulating lining according DIN 4109
- noise reduction according to ISO 3822-1 up to 23 dB(A)



| Product Number   | Outside Pipe Diameter | DN     | Pipe Diameter Imperial | Connection Thread | Total Height | Total Width | Total Depth | Material Width | Material Thickness | Screw Size | Maximum Allowed Load Faz | Approvals                                |
|------------------|-----------------------|--------|------------------------|-------------------|--------------|-------------|-------------|----------------|--------------------|------------|--------------------------|--|
| Reference Letter | D                     | D      | D                      | G                 | H            | W           | DtT         | MW             | MT                 | ds         | F <sub>0,z</sub>         |  |
| Unit description | mm                    |        | "                      |                   | mm           | mm          | mm          | mm             | mm                 |            | N                        |  |
| 31285014         | 10 - 14               | DN 8   | 1/4                    | M10               | 34           | 59          | 24          | 20             | 1.25               | M6         | 800                      | RAL-GZ 655/B, ITB (KOT), ISO 3822-1, EPD |
| 31285019         | 15 - 19               | DN 10  | 3/8                    | M10               | 38           | 63          | 24          | 20             | 1.25               | M6         | 800                      | RAL-GZ 655/B, ITB (KOT), ISO 3822-1, EPD |
| 31285023         | 20 - 23               | DN 15  | 1/2                    | M10               | 43           | 68          | 24          | 20             | 1.25               | M6         | 800                      | RAL-GZ 655/B, ITB (KOT), ISO 3822-1, EPD |
| 31285028         | 25 - 28               | DN 20  | 3/4                    | M10               | 49           | 74          | 24          | 20             | 1.25               | M6         | 800                      | RAL-GZ 655/B, ITB (KOT), ISO 3822-1, EPD |
| 31285035         | 31 - 35               | DN 25  | 1                      | M10               | 59           | 80          | 24          | 20             | 1.25               | M6         | 800                      | RAL-GZ 655/B, ITB (KOT), ISO 3822-1, EPD |
| 31285039         | 36 - 39               | -      | -                      | M10               | 63           | 84          | 24          | 20             | 1.25               | M6         | 800                      | RAL-GZ 655/B, ITB (KOT), ISO 3822-1, EPD |
| 31285045         | 40 - 45               | DN 32  | 1 1/4                  | M10               | 68           | 91          | 24          | 20             | 1.25               | M6         | 800                      | RAL-GZ 655/B, ITB (KOT), ISO 3822-1, EPD |
| 31285052         | 48 - 52               | DN 40  | 1 1/2                  | M10               | 76           | 97          | 24          | 20             | 1.25               | M6         | 800                      | RAL-GZ 655/B, ITB (KOT), ISO 3822-1, EPD |
| 31285058         | 54 - 58               | -      | -                      | M10               | 86           | 104         | 24          | 20             | 1.25               | M6         | 800                      | RAL-GZ 655/B, ITB (KOT), ISO 3822-1, EPD |
| 31285064         | 60 - 64               | DN 50  | 2                      | M10               | 93           | 109         | 24          | 20             | 1.25               | M6         | 800                      | RAL-GZ 655/B, ITB (KOT), ISO 3822-1, EPD |
| 31285070         | 66 - 70               | -      | -                      | M10               | 99           | 118         | 24          | 20             | 1.50               | M6         | 1,000                    | RAL-GZ 655/B, ITB (KOT), ISO 3822-1, EPD |
| 31285079         | 75 - 79               | DN 65  | 2 1/2                  | M10               | 105          | 125         | 24          | 20             | 1.50               | M6         | 1,000                    | RAL-GZ 655/B, ITB (KOT), ISO 3822-1, EPD |
| 31285083         | 80 - 83               | -      | -                      | M10               | 112          | 132         | 24          | 20             | 1.50               | M6         | 1,000                    | RAL-GZ 655/B, ITB (KOT), ISO 3822-1, EPD |
| 31285091         | 88 - 91               | DN 80  | 3                      | M10               | 124          | 142         | 27          | 23             | 2.00               | M6         | 1,800                    | RAL-GZ 655/B, ITB (KOT), ISO 3822-1, EPD |
| 31285105         | 100 - 105             | -      | -                      | M10               | 135          | 155         | 27          | 23             | 2.00               | M6         | 1,800                    | RAL-GZ 655/B, ITB (KOT), ISO 3822-1, EPD |
| 31285115         | 108 - 115             | DN 100 | 4                      | M10               | 147          | 164         | 27          | 23             | 2.00               | M6         | 1,800                    | RAL-GZ 655/B, ITB (KOT), ISO 3822-1, EPD |
| 31285130         | 125 - 130             | -      | -                      | M10               | 164          | 181         | 27          | 23             | 2.00               | M6         | 1,800                    | RAL-GZ 655/B, ITB (KOT), ISO 3822-1, EPD |
| 31285140         | 133 - 140             | DN 125 | 5                      | M10               | 174          | 191         | 27          | 23             | 2.00               | M6         | 1,800                    | RAL-GZ 655/B, ITB (KOT), ISO 3822-1, EPD |
| 31285160         | 152 - 160             | -      | -                      | M10               | 193          | 211         | 27          | 23             | 2.00               | M6         | 1,800                    | RAL-GZ 655/B, ITB (KOT), ISO 3822-1, EPD |
| 31285169         | 165 - 169             | DN 150 | 6                      | M10               | 203          | 225         | 29          | 25             | 2.50               | M8         | 2,500                    | RAL-GZ 655/B, ITB (KOT), ISO 3822-1, EPD |

# Walraven Bifix® G2 with Lining (M10) (BUP1000)

(A0572)

for steel, copper, cast iron and plastic (multilayer) pipe

| Product Number   | Outside Pipe Diameter | DN     | Pipe Diameter Imperial | Connection Thread | Total Height | Total Width | Total Depth | Material Width | Material Thickness | Screw Size | Maximum Allowed Load Faz | Approvals                                |
|------------------|-----------------------|--------|------------------------|-------------------|--------------|-------------|-------------|----------------|--------------------|------------|--------------------------|--|
| Reference Letter | D                     | D      | D                      | G                 | H            | W           | DtT         | MW             | MT                 | ds         | Fa,z                     |  |
| Unit description | mm                    |        | "                      |                   | mm           | mm          | mm          | mm             | mm                 |            | N                        |  |
| 31285180         | 176 - 180             | -      | -                      | M10               | 215          | 238         | 29          | 25             | 2.50               | M8         | 2,500                    | RAL-GZ 655/B, ITB (KOT), ISO 3822-1, EPD |
| 31285200         | 192 - 200             | -      | -                      | M10               | 233          | 257         | 29          | 25             | 2.50               | M8         | 2,500                    | RAL-GZ 655/B, ITB (KOT), ISO 3822-1, EPD |
| 31285210         | 205 - 210             | -      | -                      | M10               | 247          | 269         | 29          | 25             | 2.50               | M8         | 2,500                    | RAL-GZ 655/B, ITB (KOT), ISO 3822-1, EPD |
| 31285225         | 219 - 225             | DN 200 | 8                      | M10               | 260          | 283         | 29          | 25             | 2.50               | M8         | 2,500                    | RAL-GZ 655/B, ITB (KOT), ISO 3822-1, EPD |
| 31285097         | 92 - 97               | -      | -                      | M10               | 128          | 148         | 27          | 23             | 2.00               | M6         | 1,800                    | RAL-GZ 655/B, ITB (KOT), ISO 3822-1, EPD |