



Features

- Compact, energy efficient and exceptional value LED GU10 lamp Same shape and size as halogen GU10 lamp Compact Cluster SMD technology enabling high efficiency with halogen look Reduced visible heat sink from the front Available in 36 degree beam angle High lumen efficacy 15,000 hours average rated life 3 years warranty

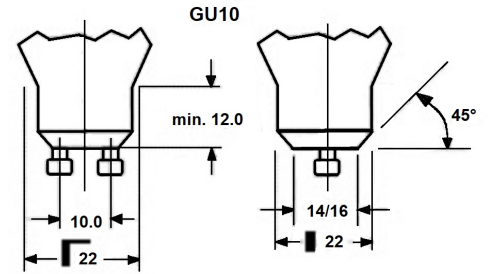
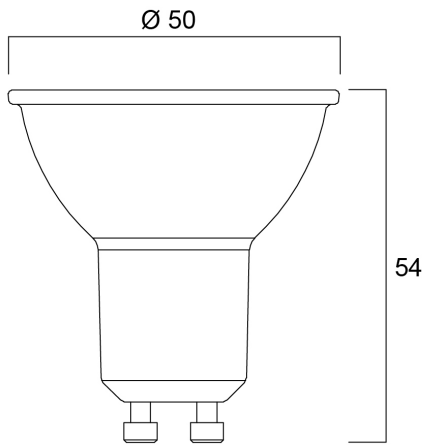
Product Overview

Product name	RefLED ES50 V6 345LM 865 36 SL
Technology	LED
Watt (Rated) (W)	4.2
Cap/Base	GU10
Fixture rating	Open
General application	Office, Hospitality, Retail, Education, Residential & Consumer, Museums & Galleries
ETIM Class	EC001959
E-number FI	4741060
Correlated colour temperature (k)	6500
Light colour	Daylight
CRI (Ra)	80
Colour Consistency (SDCM)	6
Colour Variation Initial (SDCM)	6
Beam Angle (°)	36
Photobiological Risk Group	RG1
Wattage (W)	4.2
Power consumption (W)	4.2

RefLED ES50 V6 345LM 865 36 SL 0029170

Dimmable	No
Average life (Nominal) (h)	15000
Product EAN number	5410288291703
Warranty	3 years
Useful luminous flux (#use)	345

Technical drawings



Data table

GENERAL DATA

Product name	RefLED ES50 V6 345LM 865 36 SL
Technology	LED
Watt (Rated) (W)	4.2
Cap/Base	GU10
Fixture rating	Open
General application	Office, Hospitality, Retail, Education, Residential & Consumer, Museums & Galleries
Operating temperature range (°C)	-20°C...+40°C
Performance ambient temperature Tq (°C)	25

RefLED ES50 V6 345LM 865 36 SL 0029170

ETIM Class	EC001959
E-number FI	4741060
Warranty	3 years

OPTICAL DATA

Useful luminous flux (#use)	345
Correlated colour temperature (k)	6500
Light colour	Daylight
CRI (Ra)	80
Colour Variation Initial (SDCM)	6
Colour Consistency (SDCM)	6
Luminous Intensity (cd)	770
Beam Angle (°)	36
Photobiological Risk Group	RG1
Lumen maintenance at end of nominal life (%)	70

ELECTRICAL DATA

Power consumption (W)	4.2
Wattage (W)	4.2
Equivalent watt (W)	50
Primary Supply/Product voltage - min (V)	220
Primary Supply/Product voltage - max (V)	240
Control gear required	No
No. Of switching cycles before premature failures	>50000
Dimmable	No
Inrush Current (A)	3.9
Inrush Duration (µs)	4100
Lamp Energy Label (class)	F
Nominal Frequency (Hz)	50/60Hz
Max. products per 16A C Breaker	123
Max. products per 16A B Breaker	74

LIFETIME DATA

Lifespan L70 B50	15000
Average life (Nominal) (h)	15000
Average life (Rated) (h)	15000

PHYSICAL DATA

Nominal Product Height (mm)	54
Nominal Product Diameter (mm)	50
Weight (kg)	0.019

PACKAGING

Product EAN number	5410288291703
Packaging single length / height (cm)	8.2
Packaging single width (cm)	6.1
Packaging single depth (cm)	5.1
DUN14 (inner)	15410288291700
Units per inner package	6
Packaging inner length / height (cm)	19.4
Packaging inner width (cm)	11.3
Packaging inner depth (cm)	9.5
DUN14 (outer)	25410288291707
Units per outer package	60
Packaging outer length / height (cm)	58.8
Packaging outer width (cm)	21.8
Packaging outer depth (cm)	21.7

SAFETY DATA

Optimal operating condition (°C)	-20-40
Breakage cleaning instructions	Not applicable
Special purpose lamp	No
Dry applications use only	Yes
Suitable for household illumination	Yes
Safety message	Not Suitable for totally enclosed fixtures

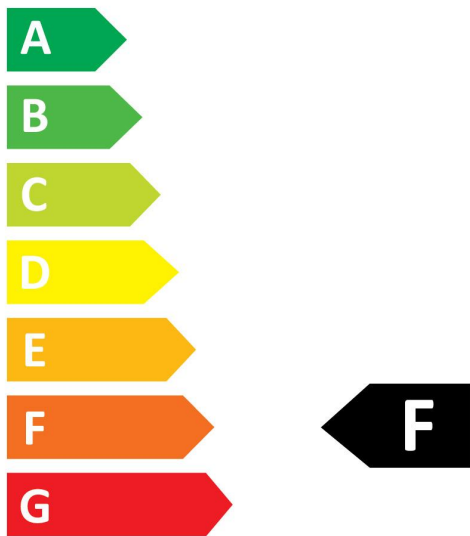
SYLVANIA

RefLED ES50 V6 345LM 865 36 SL
0029170

Energy label



0029170



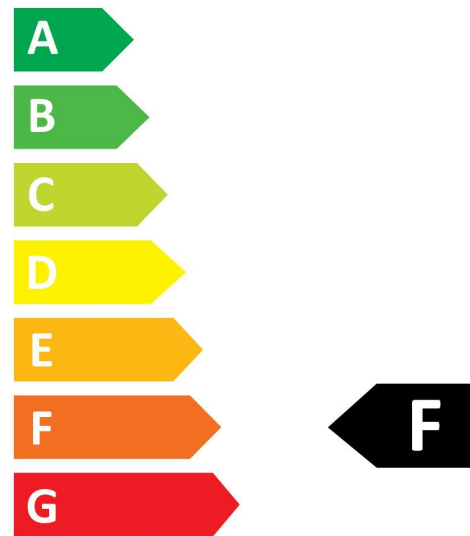
5
kWh/1000h



2019/2015



0029170



5
kWh/1000h



2019/2015

Light your world