



Features

- Direct retrofit replacement for high-pressure mercury vapor lamps (HPMV)
- 50,000 hours average rated lifetime
- Up to 78% energy saving compared to the standard high-pressure mercury vapor lamps
- Mercury-free solution
- Lower maintenance cost
- High lumen efficacy
- Dual operating mode – compatible with HPMV magnetic ballast and also, suitable for AC direct mains 120-240V operation
- High surge voltage protection: 4kV
- Suitable for both open and enclosed luminaires
- Wide light distribution
- High switching cycles – 200,000X
- High colour rendering – CRI80
- Minimum and maximum operating temperature: -30°C to 50°C

Product Overview

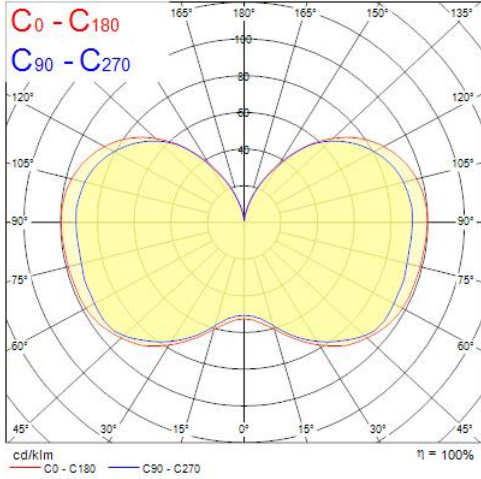
Product name	ToLEDo Performer T85 4500LM 840 E27 SL
Technology	LED
Watt (Rated) (W)	36
Cap/Base	E27
Fixture rating	Open
General application	Logistics & Industry
ETIM Class	EC001959
E-number FI	4740740
Correlated colour temperature (k)	4000
Light colour	Cool White
CRI (Ra)	80
Colour Variation Initial (SDCM)	6
Photobiological Risk Group	RG1
Wattage (W)	36
Power consumption (W)	36
Dimmable	No
Average life (Nominal) (h)	50000
Product EAN number	5410288283715
Warranty	5 years

ToLEDo Performer T85 4500LM 840 E27 SL 0028371

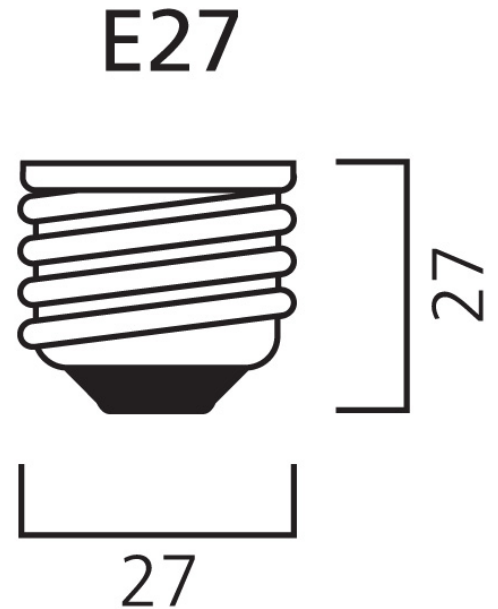
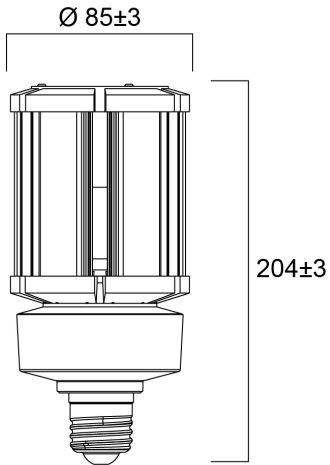
Useful luminous flux (#use)

4500

Photometry



Technical drawings



Data table

GENERAL DATA

Product name	ToLEDo Performer T85 4500LM 840 E27 SL
Technology	LED
Watt (Rated) (W)	36
Cap/Base	E27
Fixture rating	Open
General application	Logistics & Industry
Operating temperature range (°C)	-20°C...+50°C
Performance ambient temperature Tq (°C)	25
ETIM Class	EC001959
E-number FI	4740740
Warranty	5 years

OPTICAL DATA

Useful luminous flux (#use)	4500
Luminous flux (Rated) (lm)	4500
Correlated colour temperature (k)	4000
Light colour	Cool White
CRI (Ra)	80
Colour Variation Initial (SDCM)	6
Photobiological Risk Group	RG1
Lumen maintenance at end of nominal life (%)	70

ELECTRICAL DATA

Power consumption (W)	36
Wattage (W)	36
Starting time (max) (s)	0.5
Warm-up time to 60% of full light (max) (s)	0.5

ToLEDo Performer T85 4500LM 840 E27 SL 0028371

Primary Supply/Product voltage - min (V)	220
Primary Supply/Product voltage - max (V)	240
Lamp power factor	0.95
Control gear required	No
No. Of switching cycles before premature failures	>200000
Dimmable	No
Inrush Current (A)	80.8
Inrush Duration (μ s)	2
Lamp Energy Label (class)	E
Nominal Frequency (Hz)	50/60Hz
Max. products per 16A C Breaker	40

LIFETIME DATA

Lifespan L70 B50	50000
Average life (Nominal) (h)	50000
Average life (Rated) (h)	50000

PHYSICAL DATA

Nominal Product Length (mm)	204
Nominal Product Diameter (mm)	85
Weight (kg)	0.646

PACKAGING

Product EAN number	5410288283715
Packaging single length / height (cm)	9.5
Packaging single width (cm)	9.5
Packaging single depth (cm)	25.0
DUN14 (inner)	15410288283712
Units per outer package	6
Packaging outer length / height (cm)	30.4
Packaging outer width (cm)	20.9
Packaging outer depth (cm)	27.2

SYLVANIA

ToLEDo Performer T85 4500LM 840 E27 SL
0028371

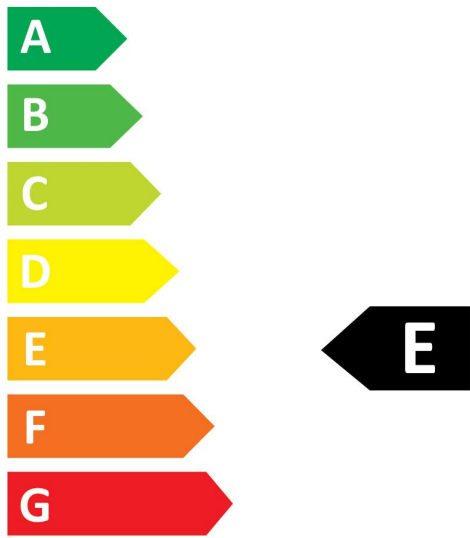
SAFETY DATA

Optimal operating condition (°C)	-20-50
Breakage cleaning instructions	Not applicable
Special purpose lamp	No
Dry applications use only	No
Suitable for household illumination	Yes
Safety message	Not Suitable for totally enclosed fixtures

Energy label



0028371



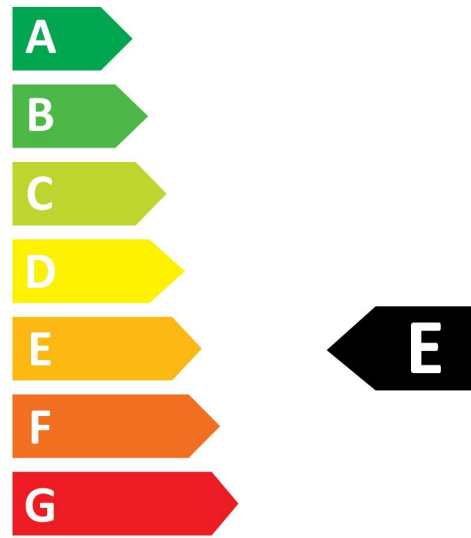
36
kWh/1000h



2019/2015



0028371



36
kWh/1000h



2019/2015

Light your world