

Features

- Direct retrofit replacement for high-pressure mercury vapor lamps (HPMV) 50,000 hours average rated lifetime Up to 71% energy saving compared to the standard high-pressure mercury vapor lamps Detachable 3.5mm jack plug microwave sensor allow to adjust hold-time and standby brightness level Mercury-free solution Lower maintenance cost High lumen efficacy Dual operating mode – compatible with HPMV magnetic ballast and also, suitable for AC direct mains 220-240V operation Up and down light distribution High surge voltage protection: 4kV Suitable for both open and enclosed luminaires Wide light distribution High switching cycles – 200,000X High colour rendering – CRI80 Minimum and maximum operating temperature: -30°C to 50°C

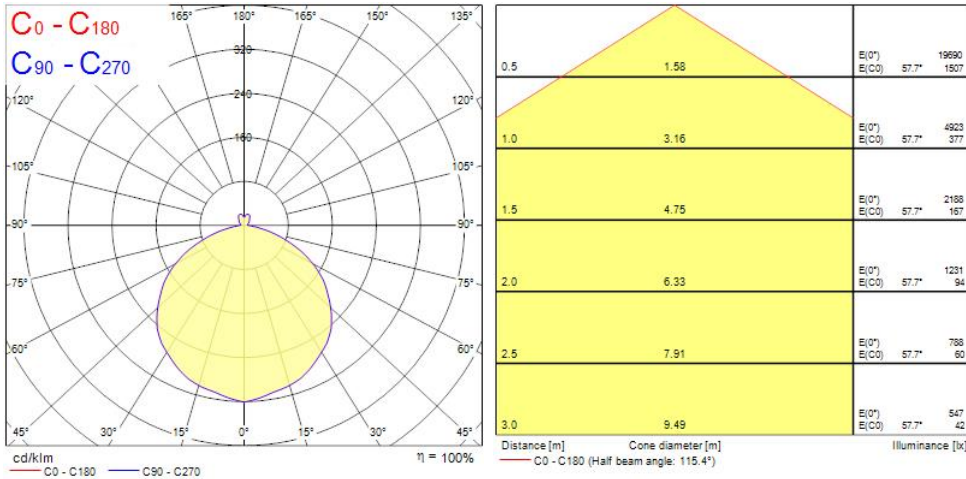
Product Overview

Product name	ToLEDo Performer H230 15500LM 840 E40 SL
Technology	LED
Watt (Rated) (W)	115
Cap/Base	E40
Fixture rating	Open
General application	Logistics & Industry
ETIM Class	EC001959
Correlated colour temperature (k)	4000
Light colour	Cool White
CRI (Ra)	80
Colour Variation Initial (SDCM)	6
Photobiological Risk Group	RG1
Wattage (W)	115
Power consumption (W)	115
Dimmable	No
Average life (Nominal) (h)	50000

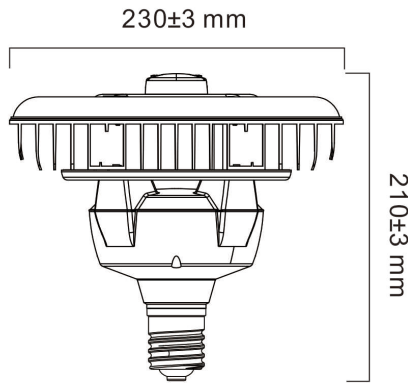
ToLEDo Performer H230 15500LM 840 E40 SL 0028378

Product EAN number	5410288283784
Warranty	5 years
Useful luminous flux (#use)	15500

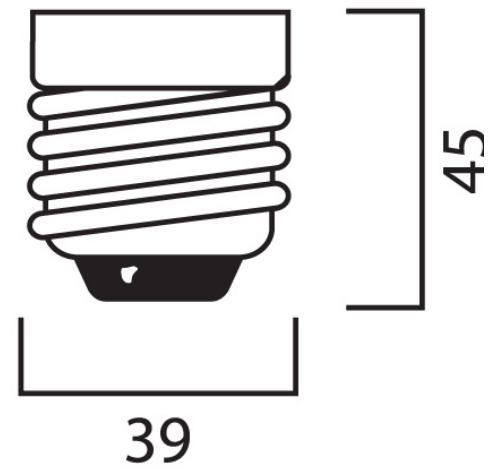
Photometry



Technical drawings



E40



Data table

GENERAL DATA

Product name	ToLEDo Performer H230 15500LM 840 E40 SL
Technology	LED
Watt (Rated) (W)	115
Cap/Base	E40
Fixture rating	Open
General application	Logistics & Industry
Operating temperature range (°C)	-20°C...+50°C
Performance ambient temperature Tq (°C)	25
ETIM Class	EC001959

ToLEDo Performer H230 15500LM 840 E40 SL 0028378

Warranty	5 years
----------	---------

OPTICAL DATA

Useful luminous flux (#use)	15500
Luminous flux (Rated) (lm)	15500
Correlated colour temperature (k)	4000
Light colour	Cool White
CRI (Ra)	80
Colour Variation Initial (SDCM)	6
Photobiological Risk Group	RG1
Lumen maintenance at end of nominal life (%)	70

ELECTRICAL DATA

Power consumption (W)	115
Wattage (W)	115
Starting time (max) (s)	0.5
Warm-up time to 60% of full light (max) (s)	0.5
Primary Supply/Product voltage - min (V)	220
Primary Supply/Product voltage - max (V)	240
Lamp power factor	1
Control gear required	No
No. Of switching cycles before premature failures	>200000
Dimmable	No
Inrush Current (A)	71.2
Inrush Duration (µs)	2
Lamp Energy Label (class)	E
Nominal Frequency (Hz)	50/60Hz
Max. products per 16A C Breaker	12

LIFETIME DATA

Lifespan L70 B50	50000
------------------	-------

ToLEDo Performer H230 15500LM 840 E40 SL 0028378

Average life (Nominal) (h)	50000
Average life (Rated) (h)	50000

PHYSICAL DATA

Nominal Product Length (mm)	210
Nominal Product Diameter (mm)	230
Weight (kg)	1.766

PACKAGING

Product EAN number	5410288283784
Packaging single length / height (cm)	25.0
Packaging single width (cm)	25.0
Packaging single depth (cm)	23.5
DUN14 (inner)	15410288283781
Units per outer package	4
Packaging outer length / height (cm)	53.6
Packaging outer width (cm)	52.5
Packaging outer depth (cm)	26.3

SAFETY DATA

Optimal operating condition (°C)	-20-50
Breakage cleaning instructions	Not applicable
Special purpose lamp	No
Dry applications use only	No
Suitable for household illumination	Yes
Safety message	Not Suitable for totally enclosed fixtures

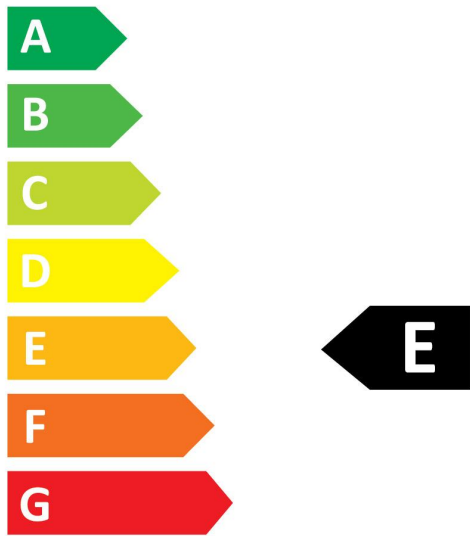
SYLVANIA

ToLEDo Performer H230 15500LM 840 E40 SL
0028378

Energy label



0028378



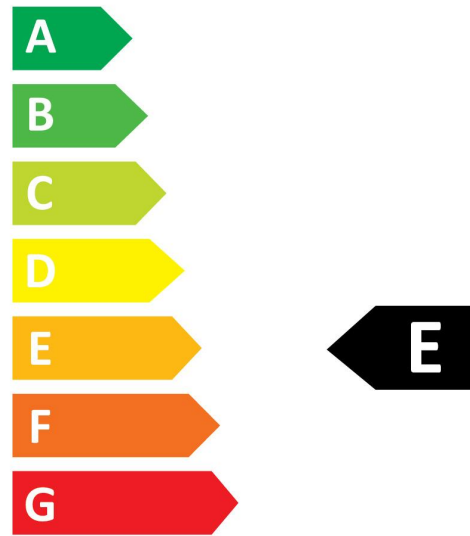
115
kWh/1000h



2019/2015



0028378



115
kWh/1000h



2019/2015