

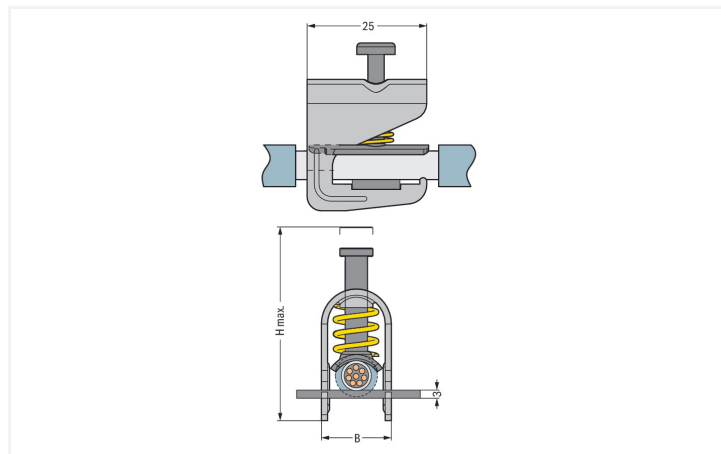
Data Sheet | Item Number: 791-107

Shield clamp; diameter of compatible conductor; 1.5 mm to 6.5 mm; H max. 40 mm;
10 mm wide

<https://www.wago.com/791-107>



Similar to illustration



Dimensions in mm

Notes

Safety Information

Cannot be used for connecting ground conductors!

Material data

Fire load	0 MJ
Weight	12.8 g
Material	Brass

Commercial data

Product Group	2 (Terminal Block Accessories)
PU (SPU)	50 pcs
Packaging type	Box
Country of origin	CH
GTIN	4045454007607
Customs tariff number	85369010000

Product Classification

UNSPSC	39121421
eCl@ss 10.0	27-14-11-50
eCl@ss 9.0	27-14-11-50
ETIM 9.0	EC002020
ETIM 10.0	EC002020
ECCN	NO US CLASSIFICATION

Environmental Product Compliance

RoHS Compliance Status	Compliant, No Exemption
------------------------	-------------------------

Downloads

Environmental Product Compliance

Compliance Search	
Environmental Product Compliance 791-107	↓

Documentation

Bid Text			
791-107	19.02.2019	xml 2.72 KB	↓
791-107	28.11.2018	doc 22.00 KB	↓

CAD/CAE-Data

CAD data	
2D/3D Models 791-107	↓

CAE data	
WSCAD Universe 791-107	↓
ZUKEN Portal 791-107	↓

1 Compatible Products

1.1 Optional Accessories

1.1.1 N-busbar

1.1.1.1 Busbar



Item No.: 210-133
 Busbar; tin-plated; 1000 mm long; Cu 10 mm x 3 mm; white

1.1.1.2 Mounting accessories



Item No.: 790-133
 Busbar; tin-plated; 30 mm long; Cu 10 mm x 3 mm; silver-colored



Item No.: 790-134
 Busbar; tin-plated; 50 mm long; Cu 10 mm x 3 mm; silver-colored

Subject to changes. Please also observe the further product documentation!

Current addresses can be found at: www.wago.com