

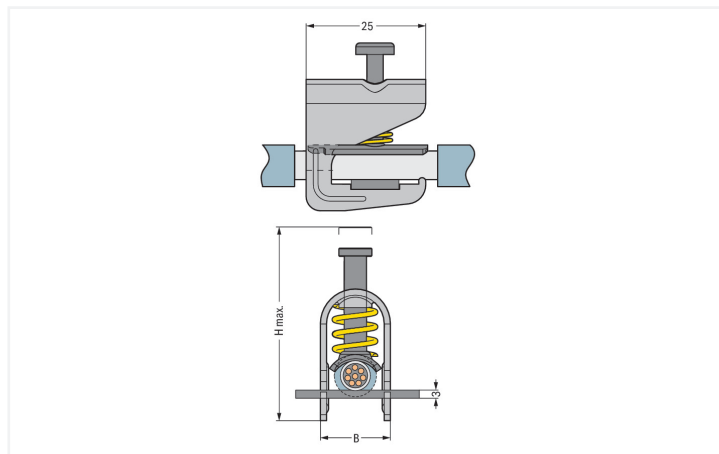
## Data Sheet | Item Number: 791-111

Shield clamp; diameter of compatible conductor; 5 mm to 11 mm; H max. 47 mm; 17 mm wide

<https://www.wago.com/791-111>



Similar to illustration



Dimensions in mm

### Notes

Safety Information

Cannot be used for connecting ground conductors!

### Material data

Fire load	0 MJ
Weight	27.2 g
Material	Brass

### Commercial data

Product Group	2 (Terminal Block Accessories)
PU (SPU)	50 pcs
Packaging type	Box
Country of origin	CH
GTIN	4045454007614
Customs tariff number	85369010000

### Product Classification

UNSPSC	39121421
eCl@ss 10.0	27-14-11-50
eCl@ss 9.0	27-14-11-50
ETIM 9.0	EC002020
ETIM 8.0	EC002020
ECCN	NO US CLASSIFICATION

**Environmental Product Compliance**

RoHS Compliance Status	Compliant, No Exemption
------------------------	-------------------------

**Downloads**

**Environmental Product Compliance**

Compliance Search			
Environmental Product Compliance 791-111			<a href="#">↓</a>

**Documentation**

Bid Text			
791-111	19.02.2019	xml 2.71 KB	<a href="#">↓</a>
791-111	28.11.2018	doc 23.50 KB	<a href="#">↓</a>

**CAD/CAE-Data**

CAD data	
2D/3D Models 791-111	<a href="#">↓</a>

CAE data	
WSCAD Universe 791-111	<a href="#">↓</a>
ZUKEN Portal 791-111	<a href="#">↓</a>

**1 Compatible Products**

**1.1 Optional Accessories**

**1.1.1 N-busbar**

**1.1.1.1 Busbar**



**Item No.: 210-133**  
 Busbar; tin-plated; 1000 mm long; Cu 10 mm x 3 mm; white

**1.1.1.2 Mounting accessories**



**Item No.: 790-133**  
 Busbar; tin-plated; 30 mm long; Cu 10 mm x 3 mm; silver-colored



**Item No.: 790-134**  
 Busbar; tin-plated; 50 mm long; Cu 10 mm x 3 mm; silver-colored

Subject to changes. Please also observe the further product documentation!

Current addresses can be found at: [www.wago.com](http://www.wago.com)