

Type HF, primary current up to 5000 amps, accuracy classes from 0.2S to 3, highest system voltage 720 volt

T-Line Current Transformers

Catalog 2021



Powering Business Worldwide



Energizing a world that demands more.

We deliver:

- **Electrical solutions** that use less energy, improve power reliability and make the places we live and work safer and more comfortable
- **Hydraulic and electrical solutions** that enable machines to deliver more productivity without wasting power
- **Aerospace solutions** that make aircraft lighter, safer and less costly to operate, and help airports operate more efficiently
- **Vehicle drivetrain and powertrain solutions** that deliver more power to cars, trucks and buses, while reducing fuel consumption and emissions

Discover today's Eaton.

Powering business worldwide

As a global power management company, we help customers worldwide manage the power needed for buildings, aircraft, trucks, cars, machinery and businesses.

Eaton's innovative technologies help customers manage electrical, hydraulic and mechanical power more reliably, efficiently, safely and sustainably.

We provide integrated solutions that help make energy, in all its forms, more practical and accessible.

With 2018 sales \$21.6 billion, Eaton has approximately 99,000 employees around the world and sells products in more than 175 countries.

Eaton.com



Powering Business Worldwide

T-Line, current transformers

1. Table of contents.....	3
2. Description – Current transformers type HF	4
3. Measuring accuracy.....	5
4. Product overview – Accuracy class 0.5 – 1 – 3, type HF3A and HF3B	6
5. Product overview – Accuracy class 0.5 – 1 – 3, type HF4B and HF5.....	7
6. Product overview – Accuracy class 0.5 – 1 – 3, type HF7A, HF6 and HF8A	8
7. Product overview – Accuracy class 0.2S – 0.2, type HF4B, HF5, HF6, HF7A and HF8A	9
8. Primary winding, at lower primary current.....	10
9. Mounting opportunities.....	11
10. Accessories	12
11. Dimensions, type HF3A	13
12. Dimensions, type HF3B	14
13. Dimensions, type HF4B	15
14. Dimensions, type HF5	16
15. Dimensions, type HF6	17
16. Dimensions, type HF7A	18
17. Dimensions, type HF8.....	19
18. Overview article numbers	20

2. Description

2.1 General Description

A current transformer is a central part of a measuring system. There are many reasons why the Eaton Electric through-primary current transformer type HF is something special. One reason is that it is easily mounted - the same transformer can be used for bars as well as for round conductors. Most of the transformers cover, within the same order number, the accuracy classes 0.5, 1 and 3 in one standard series and the accuracy classes 0.2S and 0.2 in the other standard series. Consequently, a minimal number of transformers can cover a wide range of applications thereby reducing the total expenses for investment and storage. Small external dimensions make the HF-series especially attractive for use in modern compact equipment with small phase distances.

The very large aperture can be used for primary winding too. When very small bars and large apertures (HF4B, HF5, and HF7A) are involved, the transformer is mounted on bar by means of an insert. The transformers of the HF-series have qualities that make them suitable for use under difficult operating conditions too.

2.2 Secondary Terminals

The secondary terminals are corrosion-resistant (copper rich alloy and nickel-plated) and vibration-proof (Reakdyn system). Mounting of secondary conductors used to be error prone and costly. Now the conductor can be mounted directly for a modest sum of money (without any further preparations like mounting of cable lug, soldering etc.). The terminals accommodate solid as well as multicore conductors. The secondary terminals have a double connection which permits the shorting of the secondary winding during operation, e.g. when replacing the measuring equipment connected. These reliable terminals are located within the transformer enclosure to avoid unintentional touching or short-circuiting of the terminals.

2.3 Enclosure

The enclosure is moulded in a thermoplastic material (Polycarbonate Lexan® 940) which is heat and impact resistant and self-extinguishing (V-0 according to UL 94). As it has excellent tracking resistance and insulating properties, it permits the mounting of the HF transformers even if there is very little space. The transformer withstands at rated current continuously an ambient temperature up to 55° C at a temperature of 90° C on the primary conductor simultaneously. Insulation class B (IEC61869-1/2).

2.4 Rating Plate

Another point worth noticing is the data label which giving all necessary information such as polarity P1 and P2 for the primary side as well as S1 and S2 for the secondary side. 1 and 2 refer to the flow direction.

The label is mounted on the front of the transformer, therefore you can easily identify the transformer after mounting.

The data label is placed behind a transparent pane, so the data information cannot be scratched off, washed off or damaged in other ways. The data label and the pane are built into the transformer which prevent them from falling off.

2.5 Accessories

The accessories are a very important part of the quality features of a transformer. Eaton Electric therefore uses only carefully constructed high quality equipment which lives up to your expectation for high reliability at reasonable costs.


The main features are: easy mounting without tools, vibration-proof and corrosion-resistant.

Thus the clamps for bar mounting are made of resilient stainless steel. They are therefore able to compensate for the thermal expansions and contractions of the bar and the enclosure, thus securing a stable and vibration-proof fixing. Top hat rail bar fittings and fittings for mounting on base plate are also made of resilient stainless steel.

2.6 Special Application

Due to excellent performance, the HF-range is widely being used on board ships approved by the classification societies.

2.7 General Technical Specifications

Standard:	IEC 61869-1/2 EN 61869-1/2
Highest rated voltage:	0.72 kV
Test voltage one minute:	3 kV
Frequency:	50-60 Hz
Rated secondary current:	5A or 1A
Self-extinguishing enclosure:	UL 94 class V-0
Product approval:	

3. Measuring Accuracy

The table 3.1 shows the accuracy classes corresponding to the HF-series.

The accuracy classes must be respected at rated burden according to IEC 61869-2 (VA mentioned at the rating plate of the transformer) as well as at 25% of the rated burden, however not less than 1 VA.

It is valid for all transformers from Eaton Electric that the respective accuracy class is respected from 1 VA till rated burden irrespective of that the 25% of the rated burden could allow a value greater than 1 VA.

Table 3.1: Current- and phase displacement error

Accuracy-classes acc. to IEC 60044-1	Percentage current error +/- % % Rated current (I _p n)						Phase displacement +/- minutes % Rated current (I _p n)				
	1	5	20	50	100	120	1	5	20	100	120
0.2S	0.75	0.35	0.2	-	0.2	0.2	30	15	10	10	10
0.2	-	0.75	0.35	-	0.2	0.2	-	30	15	10	10
0.5	-	1.5	0.75	-	0.5	0.5	-	90	45	30	30
1	-	3	1.5	-	1	1	-	180	90	60	60
3	-	-	-	3	-	3	-	-	-	-	-

The measuring accuracy of a current transformer depend on the total burden in the secondary circuit.

To obtain the measuring accuracy of a given class, the total burden must therefore stay within the output of the current transformer in the required class.

The total burden of the transformer is made up of the burden from the connected instrument (Table 3.2) and wires (Table 3.3).

The tables below may be used as a guide on typical burdens.

Table 3.2: Burden - instrument



Burden instrument	[VA]
Moving iron instrument	0.3 - 1.2
Moving coil instrument	0.3 - 1.2
Bimetal instrument	2.0 - 3.2
KWh-meter/current circuit	0.3 – 4.0

Table 3.3: Burden – wire

Rated secondary Current [A]	Size of conductor [mm ²]	Wire [m] ^{1*}				
		0.5 Copper wire Burden [VA]	1,0	2,5	5	10
5	1,5	0.29	0.58	1.45	2.9	5.8
5	2,5	0.18	0.35	0.88	1.75	3.5
1	1	0.018	0.035	0.09	0.18	0.35
1	1,5	0.012	0.023	0.06	0.12	0.23
1	2,5	0.007	0.014	0.035	0.07	0.14

*Double wire. With double wire means: From transformer to instrument and return to transformer.

**4. Product overview – Accuracy class
0.5 – 1 – 3, type HF3A and HF3B**

	HF3A						HF3B					
	Accuracy class			Rated secondary current [A]			Accuracy class			Rated secondary current [A]		
	0.5	1	3	5	1	0.5	1	3	5	1		
HF3A												
	Rated primary current [A]	Burden [VA]			Article no. 741B00__		Burden [VA]			Catalog number 741B00__		
	30	-	-	1	-	08	-	-	-	-	-	
	50	-	1	2	11	31	-	-	-	-	-	
	60	-	1	2.5	13	21	-	-	-	-	-	
	75	-	1.5	3	12	32	-	-	-	-	-	
	80	-	2	3	87	88	-	-	-	-	-	
	100	1.5	3	5	14	33	-	-	2	04	06	
HF3B												
	Rated primary current [A]	Burden [VA]			Article no. 741B00__		Burden [VA]			Catalog number 741B00__		
	125	2.5	3	5	-	89	1	2	2.5	97	23	
	150	2.5	5	5	-	34	1	2.5	3	05	07	
	200	2.5	5	7.5	-	35	1	2.5	3	18	36	
	250	5	5	7.5	-	28	2.5	2.5	4	19	29	
	300	-	-	-	-	-	2.5	5	5	20	37	
	400	-	-	-	-	-	2.5	5	5	-	38	
	500	-	-	-	-	-	2.5	5	5	24	39	
	600	-	-	-	-	-	5	5	7.5	26	40	

	Units	HF3A	HF3B
Max. dimension of primary bar	[mm x mm]	5 x 20	10 x 30
Conductor (diameter)	[mm]	17	23
Secondary terminals	[mm ²]	max. 2.5	max. 2.5
I _{th} rms i 1 sec.	[kA]	15	45
Bush	-	741B0321	741B0322
Sealable cover	-	741B0232	741B0232
Clamp (for bar mounting)	-	741B0030	741B0030
Fittings for DIN-Rail	-	741B0231	741B0231
Fittings for base plate	-	741B0230	741B0230

5. Product overview – Accuracy class 0.5 – 1 – 3, type HF4B and HF5

HF4B



HF5




	HF4B					HF5				
	Accuracy class			Rated secondary current [A]		Accuracy class			Rated secondary current [A]	
	0.5	1	3	5	1	0.5	1	3	5	1
Rated primary current [A]	Burden [VA]			Article no. 741C20__		Burden [VA]			Catalog number 741E00__	
50	-	-	2	57	54	-	-	-	-	-
60	-	-	2	58	55	-	-	-	-	-
75	-	1	2.5	59	56	-	-	-	-	-
100	1	2.5	5	60	68	-	-	-	-	-
150	2.5	5	5	61	69	-	-	-	-	-
200	5	5	7.5	62	70	-	-	-	-	-
250	5	7.5	10	63	71	-	-	-	-	-
300	7.5	10	15	64	72	5	7.5	10	11	-
400	7.5	10	15	65	73	10	10	15	21	28
500	10	10	15	66	74	15	20	20	22	29
600	10	15	20	67	75	15	20	20	23	30
750	-	-	-	-	-	15	20	20	34	35
800	-	-	-	-	-	20	20	20	24	31
1000	-	-	-	-	-	30	30	30	25	32
1200	-	-	-	-	-	30	30	30	26	33
1250	-	-	-	-	-	30	30	30	37	38
1500	-	-	-	-	-	20	20	30	27	17
1600	-	-	-	-	-	20	20	30	39	18

	Units	HF4B	HF5
Max. dimension of primary bar	[mm x mm]	10 x 40	12 x 60
Conductor (diameter)	[mm]	28	39
Secondary terminals	[mm ²]	max. 6	max. 6
1th rms i 1 sec.	[kA]	60	100
Insert	-	741C0329	741C0329
Sealable cover	-	741C0221	741C0221
Clamp* (for bar mounting)	-	741C0256	741C0256
Fittings for DIN-Rail	-	741C0243	741C0243
Fittings for base plate	-	741H0230	741H0230

* Accessories included with the transformers (number only for spare part ordering).

**6. Product overview – Accuracy class
0.5 – 1 – 3, type HF7A, HF6 and HF8A**

	HF7A					HF6					HF8A				
	Accuracy class			Rated secondary current [A]		Accuracy class			Rated secondary current [A]		Accuracy class			Rated secondary current [A]	
	0.5	1	3	5	1	0.5	1	3	5	1	0.5	1	3	5	1
HF7A															
Rated primary current [A]	Burden [VA]		Catalog number 741H00__		Burden [VA]		Catalog number 741F00__		Burden [VA]		Catalog number 741K00__				
200	-	-	-	-	-	-	-	-	-	-	-	-	-	-	-
250	-	-	-	-	-	-	-	-	-	-	-	-	-	-	-
300	-	-	-	-	-	-	-	-	-	-	-	-	-	-	-
400	5	7.5	10	11	24	-	-	-	-	-	-	-	-	-	-
500	7.5	10	15	12	25	-	-	-	-	-	-	-	-	-	-
600	7.5	10	15	13	26	-	-	-	-	-	-	-	-	-	-
750	10	15	20	14	27	-	-	-	-	-	-	-	-	-	-
800	10	15	20	15	28	-	-	-	-	-	-	-	-	-	-
1000	15	20	30	16	29	20	30	30	23	33	-	-	-	-	-
1200	15	20	30	17	30	20	30	30	24	-	-	-	-	-	-
1250	15	20	30	18	31	20	30	30	22	-	-	-	-	-	-
1500	20	30	45	19	32	30	45	45	25	35	15	30	45	11	19
1600	20	30	45	20	33	30	45	45	26	-	-	-	-	-	-
2000	30	45	45	21	34	30	45	60	27	37	15	30	45	13	21
2500	30	45	45	23	36	30	45	60	28	38	15	30	45	14	22
3000	-	-	-	-	-	30	45	60	29	39	30	45	60	16	24
4000	-	-	-	-	-	-	-	-	-	-	30	45	60	17	25
5000	-	-	-	-	-	-	-	-	-	-	30	45	60	18	-

	Units	HF7A	HF6	HF8A
Max. dimension of primary bar	[mm x mm]	2 // 10 x 80	3 // 10 x 100	2 // 10 x 120
Conductor (diameter)	[mm x mm] [mm]	3 // 10 x 50 65	2//55	3 // 10 x 100 81
Secondary terminals	[mm ²]	max. 6	max. 6	max. 6
lth rms i 1 sec.	[kA]	120	>120	>120
Insert	-	741H0240	-	-
Clamp* (for bar mounting)	-	741C0256	741F0220	741F0220
Sealable cover	-	741C0221	741C0221	741C0221
Fittings for DIN-Rail	-	741C0243	741C0243	741C0243
Fittings for base plate	-	741H0230	741H0230	741H0230

* Accessories included with the transformers (number only for spare part ordering).

7. Product overview – Accuracy class 0.2S – 0.2, type HF4B, HF5, HF6, HF7A and HF8A

	HF4B		HF5		HF7A		HF6		HF8A			
	Accuracy class		Rated secondary current [A]		Accuracy class		Rated secondary current [A]		Accuracy class		Rated secondary current [A]	
	0.2S	0.2	5	0.2S	0.2	5	0.2S	0.2	5	0.2S	0.2	5
Rated primary current [A]	Burden [VA]	Catalog number 741C20__	Burden [VA]	Catalog number 741E00__	Burden [VA]	Catalog number 741H00__	Burden [VA]	Catalog number 741F00__	Burden [VA]	Catalog number 741K00__		
100	1.25 -	78	- -	-	- -	-	- -	-	- -	-		
150	1.25 -	79	- -	-	- -	-	- -	-	- -	-		
200	1.5 - 2	80 82	- -	-	- -	-	- -	-	- -	-		
250	2 - 2.5	81 84	- -	-	- -	-	- -	-	- -	-		
300	2.5 3	86	1.5 -	60	- -	-	- -	-	- -	-		
400	2.5 4	88	2 4	40	- -	-	- -	-	- -	-		
500	5 7.5	90	2.5 5	42	- -	-	- -	-	- -	-		
600	5 7.5	92	5 7.5	44	- -	-	- -	-	- -	-		
750	- -	-	5 7.5	46	5 7.5	50	- -	-	- -	-		
800	- -	-	5 7.5	48	5 7.5	52	- -	-	- -	-		
1000	- -	-	7.5 10	50	7.5 10	54	5 10	50	- -	-		
1200	- -	-	10 10	52	10 10	56	7.5 10	52	- -	-		
1250	- -	-	10 10	54	10 10	58	7.5 10	54	- -	-		
1500	- -	-	10 10	56	10 10	60	10 10	56	7.5 10	31		
1600	- -	-	10 10	58	10 10	62	10 10	58	- -	-		
2000	- -	-	- -	-	10 10	64	10 10	60	10 10	33		
2400	- -	-	- -	-	10 10	66	10 10	62	- -	-		
2500	- -	-	- -	-	10 10	68	10 10	64	10 10	34		
3000	- -	-	- -	-	- -	-	10 10	66	10 10	36		
4000	- -	-	- -	-	- -	-	- -	-	10 10	37		
5000	- -	-	- -	-	- -	-	- -	-	10 10	38		

	Units	HF4B	HF5	HF7A	HF6	HF8A
Max. dimension of primary bar Conductor	[mm x mm] [mm x mm] {mm}	10 x 40 28	12 x 60 39	2 // 10 x 80 3 // 10 x 50 65	3 // 10 x 100 2 // 55	2 // 10 x 120 3 // 10 x 100 81
Secondary terminals	mm ²	max. 6	max. 6	max. 6	max. 6	max. 6
Ith rms i 1 sec.	[kA]	60	100	120	>120	>120
Insert	-	741C0329	741C0329	741H0240	-	-
Clamp*	-	741C0256	741C0256	741C0256	741F0220	741F0220
Sealable cover	-	741C0221	741C0221	741C0221	741C0221	741C0221
Fittings for DIN-rail	-	741C0243	741C0243	741C0243	741C0243	741C0243
Fittings f base plate	-	741H0230	741H0230	741H0230	741H0230	741H0230

* Accessories included with the transformers (number only for spare part ordering).

8. Primary winding, at lower primary current



At low operating currents it may be required to use current transformers with rated primary currents less than 50 A if an ample instrument deflection shall be obtained. At rated primary currents of 100 A or less, the available output of a through-primary current transformer may be too low for a given application. The solution in both cases is a standard through-primary current transformer provided with a primary winding.

In principle any through-primary current transformer can be provided with a primary winding. Considering space and required labour it is, however, advantageous to use a through-primary current transformer with the lowest possible rated primary current. Consequently the optimum choice is e.g. current transformer type HF3A.

Ordinary insulated wire of sufficient current carrying capacity for the primary circuit is suitable for the primary winding. The number of primary turns is the number of times, the wire is taken through the transformer aperture.

Apart from changing the ratio of transformation, the primary winding has no influence on the data of the transformer. Output and rated secondary current remain unchanged.

The number of turns necessary depends on the ratio of the rated primary current of the transformer employed and the required primary current.

$$\text{No. of primary turns} = \frac{\text{Rated primary current}}{\text{Required primary current}} \text{ (Integer value)}$$

The necessary number of primary turns, which shall be mounted on a HF3A to obtain a desired primary current, is tabulated below. When the required number of turns is found, it is possible to find the maximum cross section area of the primary winding through the table at the bottom of the page.

HF3A	[A]	Number of turns [the number of times, the wire is taken through the transformer aperture]								Accuracy class		
										0.5	1	3
										Burden [VA]		
Rated primary current	50	10	5	-	-	2	-	1	-	-	1	2
	60	12	6	4	3	-	2	-	-	-	1	2.5
	75	15	-	5	-	3	-	-	1	-	1.5	3
	80	16	8	-	4	-	-	-	-	-	2	3
	100	20	10	-	5	4	-	2	-	1.5	3	5
	125	25	-	-	-	5	-	-	-	2.5	3	5
	150	30	15	10	-	6	5	3	2	2.5	5	5
Required primary current	[A]	5	10	15	20	25	30	50	75			

Number of turns for type HF3A	Units	2	3	4	5	6	8	10	12	13	15	16	20	25	30
Maximum wire cross-section for solid or stranded conductors (1-7 stands)	[mm ²]	-	-	10	6	6	4	4	2.5	2.5	2.5	2.5	1.5	1	1
Maximum wire cross-section for flexible conductors (more than 7 stands)	[mm ²]	25	16	10	6	6	4	2.5	2.5	2.5	-	-	-	-	-

9. Mounting opportunities



1. Clamp, in resilient stainless steel, for primary bar mounting:

Clamp is clipped on the transformer without using tools.



2. Clamp, in resilient stainless steel, for mounting on DIN-rail:

The fitting is clipped without using tools.
Same fittings are used for HF4B, HF5, HF6, HF7A and HF8A.
Equivalent fittings are available for the types HF3A, HF3B.



3. Bush (tinned brass) for mounting between two bars or between bar (device terminal) and cable lugs:

The bush is mounted without using tools by pressing it into the aperture of the transformer.



4. Fitting, in resilient stainless steel, for mounting on base plate

These fittings are easily mounted by pushing them into slots in the enclosure of the transformer.
Same fittings are used for HF4B, HF5, HF6, HF7A and HF8A.
Equivalent fittings are available for the types HF3A, HF3B.



5. Clamp, in resilient stainless steel, for primary bar mounting:

The clamp is clipped on the transformer without using tools.
Same fittings are used for HF4B, HF5 and HF7A.

Inserts for small primary bars for HF7A.

The insert (especially heat resistant plastic) are clipped without using tools and it makes it possible to mount a single bar in the large aperture of HF7A.



6. Clamp, in resilient stainless steel, for primary bar mounting:

The characteristic of these fittings is that they have only to be clamped to one of the parallel through bars.

This means that distance pieces and mounting of such between the parallel bars can be avoided.

At the same time the fitting is vibration proof, i.a. because it makes it possible for the bars to move freely.

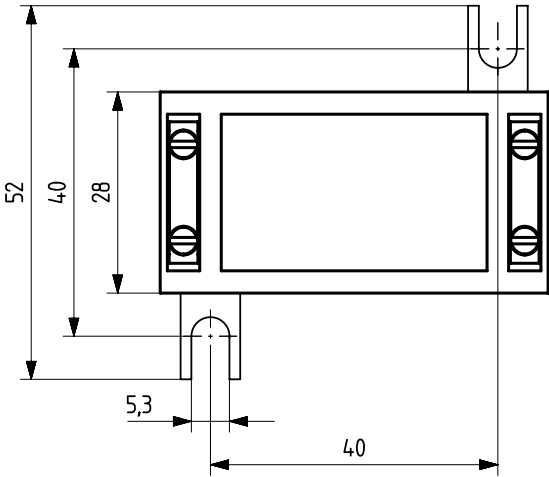
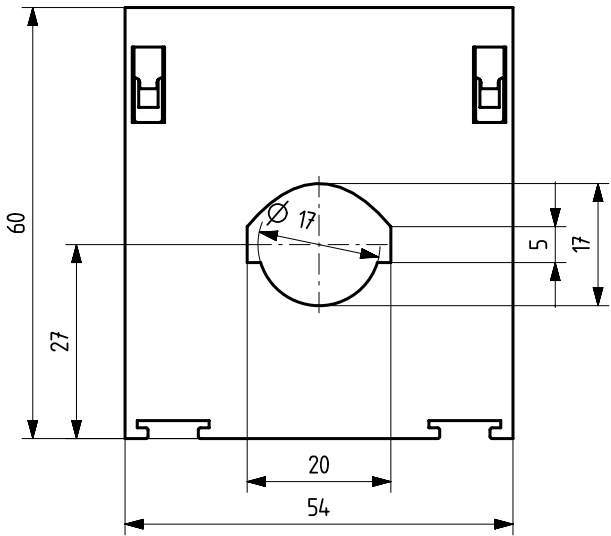
Same fittings are used for HF6 and HF8A.

10. Accessories

	For type:	Units	Catalog number
	Clamp for bar mounting: HF3A and HF3B	1 pc. per bag	741B0030
	HF4B, HF5 and HF7A*	1 pc. per bag	741C0256
	Clamp for bar mounting: HF6 and HF8A *	2 pc. per bag = 1 set	741F0220
	Fitting for mounting on base plate: HF3A and HF3B	12 pcs. per bag (2 pcs. pr. transformer)	741B0230
HF4B, HF5, HF6, HF7A and HF8A		12 pcs. per bag (4 pcs. pr. transformer)	741H0230
	Fitting for DIN-rail mounting: HF3A and HF3B	2 pc. per bag = 1 set	741B0231
	HF4B, HF5, HF7A and HF8A	2 pc. per bag = 1 set	741C0243
	Bush for mounting between bar and cable lug: HF3A, for M10 screw	1 pc. per bag	741B0321
	HF3B, for M10 screw	1 pc. per bag	741B0322
	Insert: HF4B and HF5		741C0329
	Insert: HF7A *		741H0240
	Sealable cover for secondary terminals: HF3A and HF3B	12 pcs. per bag (4 pcs. pr. transformer)	741B0232
	Sealable cover for secondary terminals: HF4B, HF5, HF6, HF7A and HF8A	12 pcs. per bag (4 pcs. pr. transformer)	741C0221

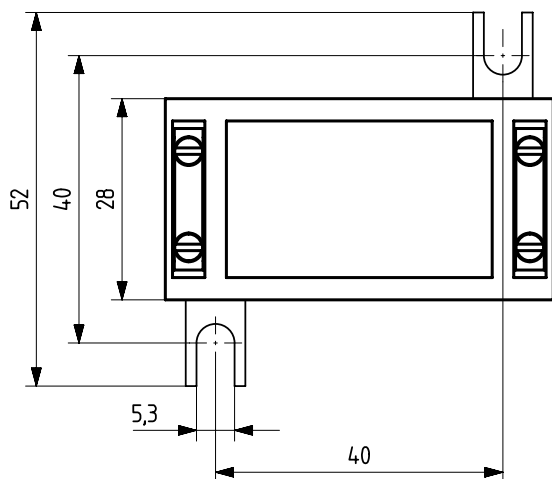
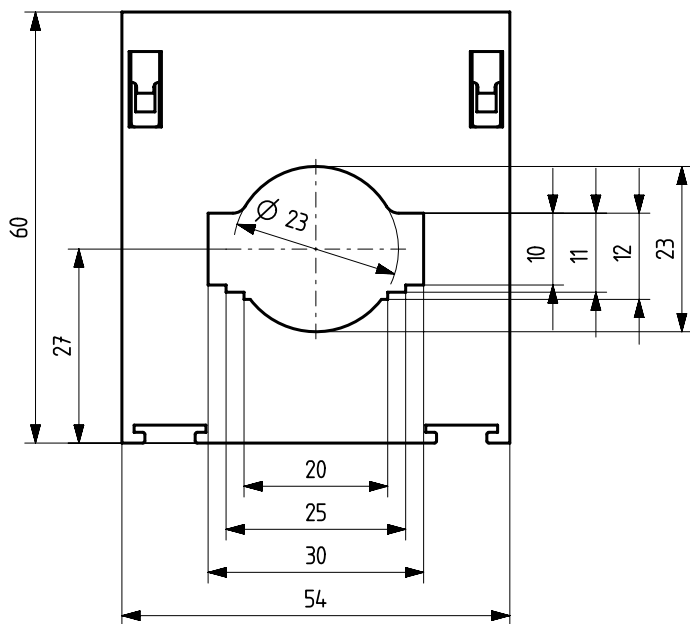
* Accessories included with the transformers (numbers only for spare parts ordering)

11. Dimensions, type HF3A



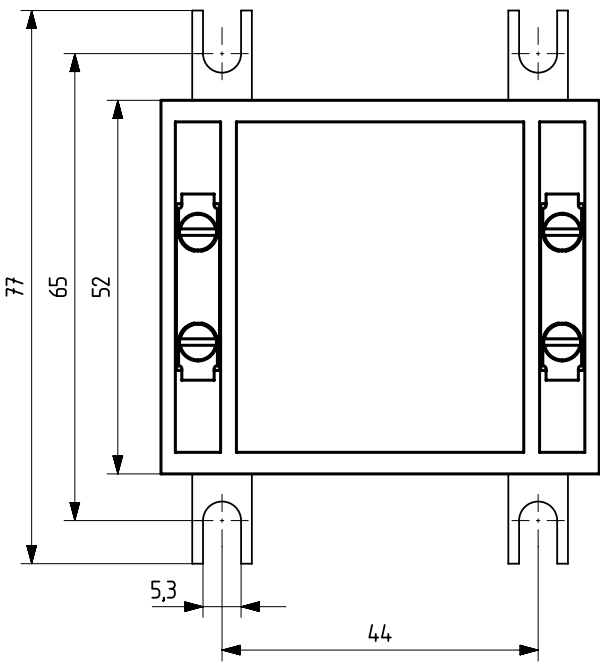
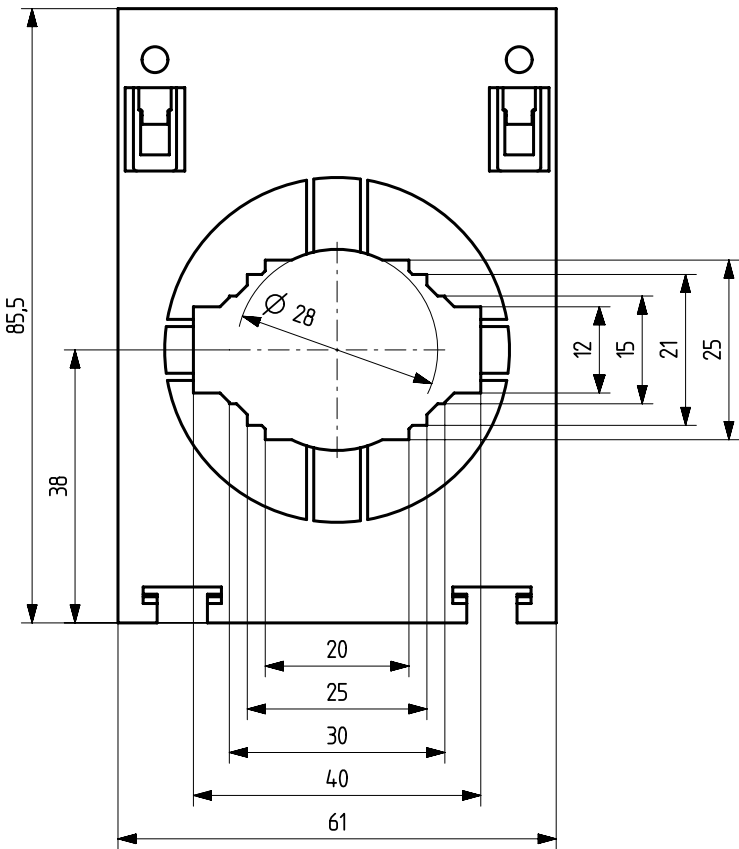
All dimensions in mm

12. Dimensions, type HF3B



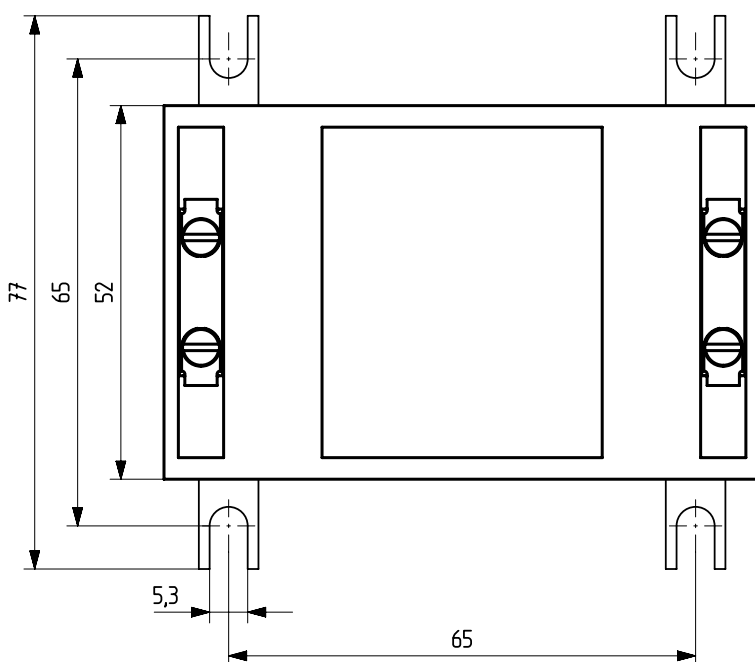
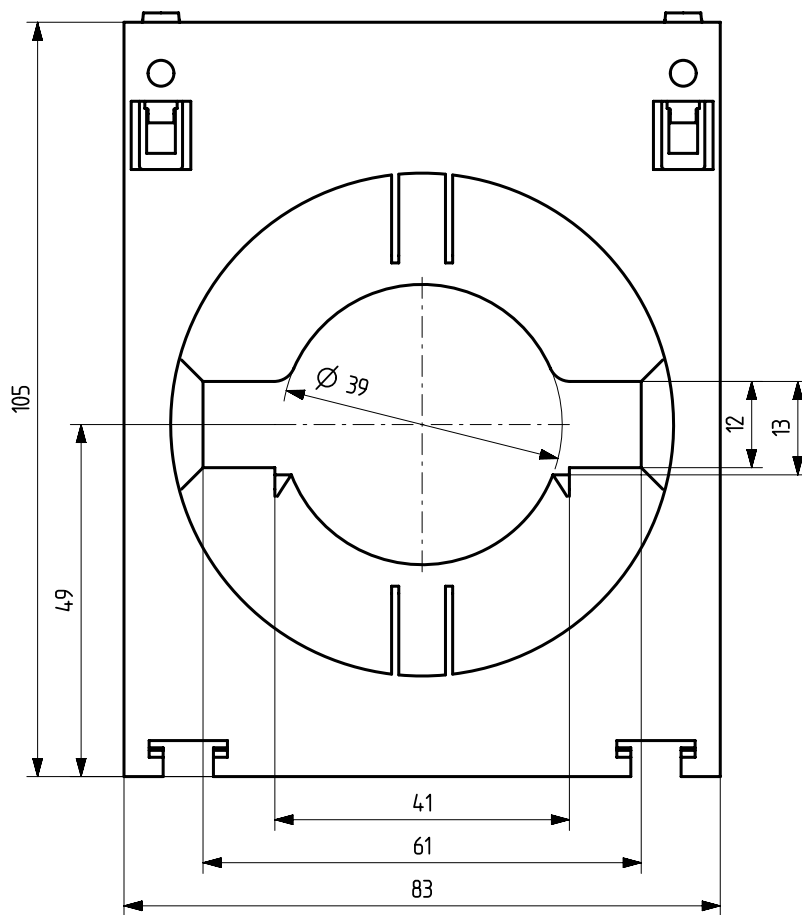
All dimensions in mm

13. Dimensions, type HF4B



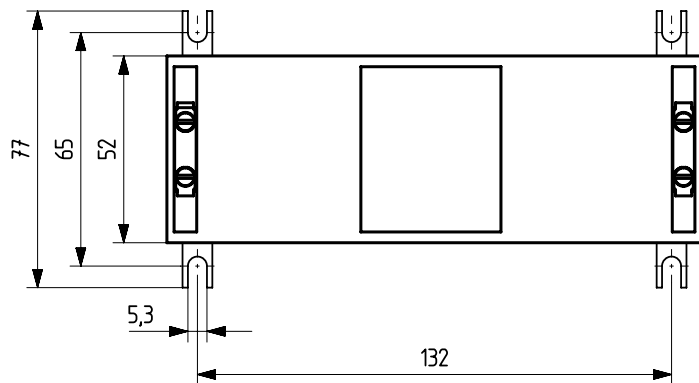
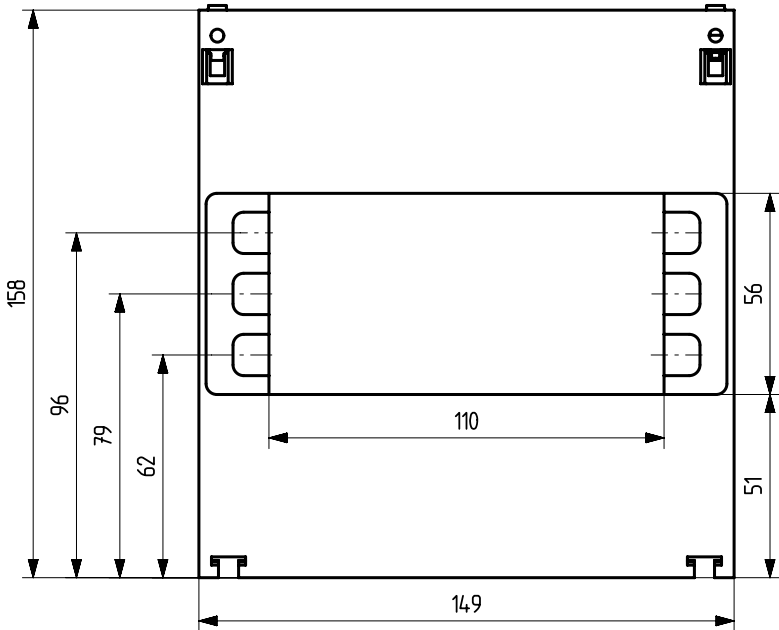
All dimensions in mm

14. Dimensions, type HF5



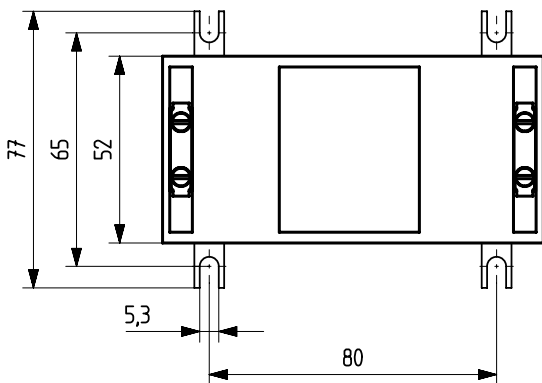
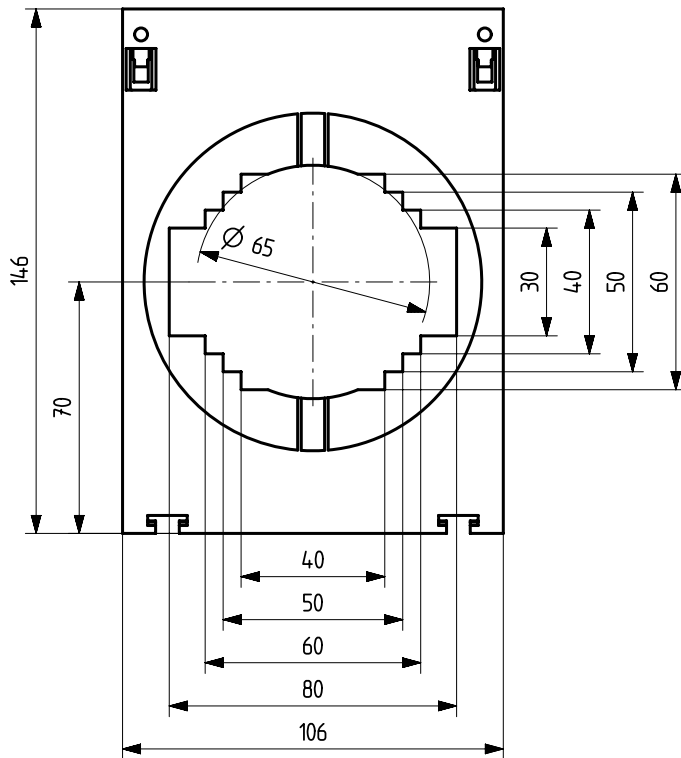
All dimensions in mm

15. Dimensions, type HF6



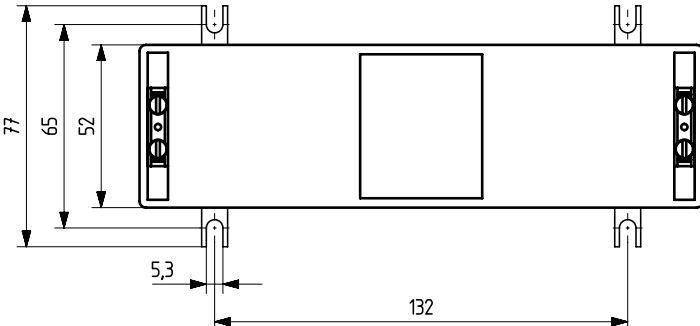
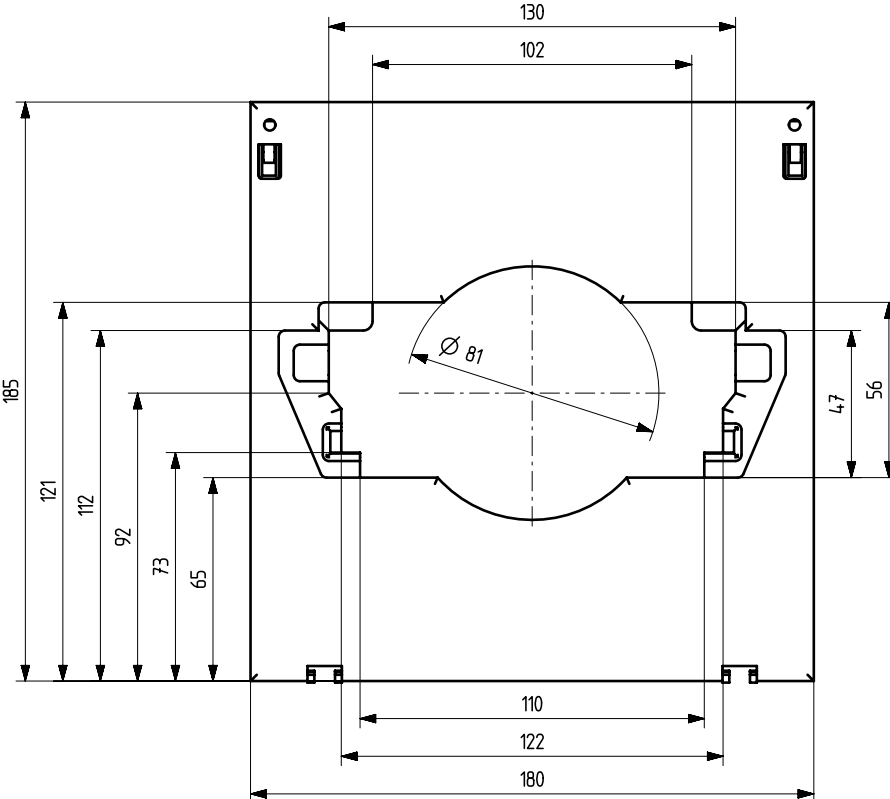
All dimensions in mm

16. Dimensions, type HF7A



All dimensions in mm

17. Dimensions, type HF8A



All dimensions in mm

18. Overview article numbers

	Catalogue number	Type	Article number	EAN Number	Page
741B00__	741B0004	HF3B-100/5A	Y7-135286	5703498700012	Page 6
	741B0005	HF3B-150/5A	Y7-135287	5703498700029	Page 6
	741B0006	HF3B-100/1A	Y7-135288	5703498700036	Page 6
	741B0007	HF3B-150/1A	Y7-135289	5703498700043	Page 6
	741B0008	HF3A-30/1A	Y7-135290	5703498700050	Page 6
	741B0011	HF3A-50/5A	Y7-135291	5703498700067	Page 6
	741B0012	HF3A-75/5A	Y7-135292	5703498700074	Page 6
	741B0013	HF3A-60/5A	Y7-135293	5703498700081	Page 6
	741B0014	HF3A-100/5A	Y7-135294	5703498700098	Page 6
	741B0018	HF3B-200/5A	Y7-135297	5703498700128	Page 6
	741B0019	HF3B-250/5A	Y7-135298	5703498700135	Page 6
	741B0020	HF3B-300/5A	Y7-135299	5703498700142	Page 6
	741B0021	HF3A-60/1A	Y7-135300	5703498700159	Page 6
	741B0023	HF3B-125/1A	Y7-135302	5703498700173	Page 6
	741B0024	HF3B-500/5A	Y7-135303	5703498700180	Page 6
	741B0026	HF3B-600/5A	Y7-135305	5703498700203	Page 6
	741B0028	HF3A-250/1A	Y7-135307	5703498700227	Page 6
	741B0029	HF3B-250/1A	Y7-135308	5703498700234	Page 6
	741B0030	Clamp for HF3A and HF3B	Y7-135309	5703498700241	Page 12
	741B0031	HF3A-50/1A	Y7-135310	5703498700258	Page 6
	741B0032	HF3A-75/1A	Y7-135311	5703498700265	Page 6
	741B0033	HF3A-100/1A	Y7-135312	5703498700272	Page 6
	741B0034	HF3A-150/1A	Y7-135313	5703498700289	Page 6
	741B0035	HF3A-200/1A	Y7-135314	5703498700296	Page 6
	741B0036	HF3B-200/1A	Y7-135315	5703498700302	Page 6
	741B0037	HF3B-300/1A	Y7-135316	5703498700319	Page 6
	741B0038	HF3B-400/1A	Y7-135317	5703498700326	Page 6
	741B0039	HF3B-500/1A	Y7-135318	5703498700333	Page 6
	741B0040	HF3B-600/1A	Y7-135319	5703498700357	Page 6
	741B0087	HF3A-80/5A	Y7-135338	5703498700562	Page 6
	741B0088	HF3A-80/1A	Y7-135339	5703498700579	Page 6
	741B0089	HF3A-125/1A	Y7-135340	5703498700586	Page 6
	741B0097	HF3B-125/5A	Y7-135341	5703498700593	Page 6
741B02__	741B0230	Fittings for mounting on base plate HF3A, HF3B	Y7-135342	5703498700609	Page 12
	741B0231	Fittings for DIN rail HF3A and HF3B	Y7-135343	5703498700623	Page 12
	741B0232	Sealable covers for HF3A and HF3B	Y7-135344	5703498700630	Page 12
741B03__	741B0321	Bush for HF3A	Y7-135347	5703498700647	Page 12
	741B0322	Bush for HF3B	Y7-135348	5703498700654	Page 12
741C02__	741C0221	Sealable cover for HF4B, HF5, HF6, HF7A, HF8A	Y7-135357	5703498702900	Page 12
	741C0243	Fittings for DIN rail HF4B, HF5, HF6, HF7A, HF8A	Y7-135358	5703498702825	Page 12
	741C0256	Clamp for bar mounting HF4B, HF5, HF7A	Y7-135359	5703498700777	Page 12
741C03__	741C0329	Insert for HF4B and HF5	Y7-135360	5703498700784	Page 12
741C20__	741C2054	HF4B-50/1A	Y7-135379	5703498700999	Page 7
	741C2055	HF4B-60/1A	Y7-135380	5703498701019	Page 7
	741C2056	HF4B-75/1A	Y7-135381	5703498701033	Page 7

	Catalogue number	Type	Article number	EAN Number	Page
	741C2057	HF4B-50/5A	Y7-135382	5703498701040	Page 7
	741C2058	HF4B-60/5A	Y7-135383	5703498701064	Page 7
	741C2059	HF4B-75/5A	Y7-135384	5703498701071	Page 7
	741C2060	HF4B-100/5A	Y7-135385	5703498701088	Page 7
	741C2061	HF4B-150/5A	Y7-135386	5703498701101	Page 7
	741C2062	HF4B-200/5A	Y7-135387	5703498701125	Page 7
	741C2063	HF4B-250/5A	Y7-135388	5703498701149	Page 7
	741C2064	HF4B-300/5A	Y7-135389	5703498701163	Page 7
	741C2065	HF4B-400/5A	Y7-135390	5703498701187	Page 7
	741C2066	HF4B-500/5A	Y7-135391	5703498701200	Page 7
	741C2067	HF4B-600/5A	Y7-135392	5703498701224	Page 7
	741C2068	HF4B-100/1A	Y7-135393	5703498701248	Page 7
	741C2069	HF4B-150/1A	Y7-135394	5703498701262	Page 7
	741C2070	HF4B-200/1A	Y7-135395	5703498701286	Page 7
	741C2071	HF4B-250/1A	Y7-135396	5703498701309	Page 7
	741C2072	HF4B-300/1A	Y7-135397	5703498701323	Page 7
	741C2073	HF4B-400/1A	Y7-135398	5703498701347	Page 7
	741C2074	HF4B-500/1A	Y7-135399	5703498701361	Page 7
	741C2075	HF4B-600/1A	Y7-135400	5703498701385	Page 7
	741C2078	HF4B-100/5A-Class 0.2S	Y7-135401	5703498702702	Page 9
	741C2079	HF4B-150/5A-Class 0.2S	Y7-135402	5703498702764	Page 9
	741C2080	HF4B-200/5A-Class 0.2S	Y7-135403	5703498702771	Page 9
	741C2081	HF4B-250/5A-Class 0.2S	Y7-135404	5703498702788	Page 9
	741C2082	HF4B-200/5A-CLASS-0.2	Y7-135405	5703498701408	Page 9
	741C2084	HF4B-250/5A-CLASS-0.2	Y7-135406	5703498701422	Page 9
	741C2086	HF4B-300/5A-CLASS-0.2S	Y7-135407	5703498701446	Page 9
	741C2088	HF4B-400/5A-CLASS-0.2S	Y7-135408	5703498701460	Page 9
	741C2090	HF4B-500/5A-CLASS-0.2S	Y7-135409	5703498701484	Page 9
	741C2092	HF4B-600/5A-CLASS-0.2S	Y7-135410	5703498701507	Page 9
741E00__	741E0011	HF5-300/5A	Y7-135411	5703498702719	Page 7
	741E0017	HF5-1500/1A	Y7-135412	5703498702627	Page 7
	741E0018	HF5-1600/1A	Y7-135413	5703498702634	Page 7
	741E0021	HF5-400/5A	Y7-135414	5703498701521	Page 7
	741E0022	HF5-500/5A	Y7-135415	5703498701538	Page 7
	741E0023	HF5-600/5A	Y7-135416	5703498701552	Page 7
	741E0024	HF5-800/5A	Y7-135417	5703498701569	Page 7
	741E0025	HF5-1000/5A	Y7-135418	5703498701576	Page 7
	741E0026	HF5-1200/5A	Y7-135419	5703498701590	Page 7
	741E0027	HF5-1500/5A	Y7-135420	5703498701606	Page 7
	741E0028	HF5-400/1A	Y7-135421	5703498701613	Page 7
	741E0029	HF5-500/1A	Y7-135422	5703498701620	Page 7
	741E0030	HF5-600/1A	Y7-135423	5703498701637	Page 7
	741E0031	HF5-800/1A	Y7-135424	5703498701644	Page 7
	741E0032	HF5-1000/1A	Y7-135425	5703498701651	Page 7
	741E0033	HF5-1200/1A	Y7-135426	5703498701668	Page 7
	741E0034	HF5-750/5A	Y7-135427	5703498701675	Page 7
	741E0035	HF5-750/1A	Y7-135428	5703498701682	Page 7
	741E0037	HF5-1250/5A	Y7-135429	5703498701699	Page 7
	741E0038	HF5-1250/1A	Y7-135430	5703498701705	Page 7
	741E0039	HF5-1600/5A	Y7-135431	5703498701712	Page 7
	741E0040	HF5-400/5A-CLASS-0.2S	Y7-135432	5703498701729	Page 9
	741E0042	HF5-500/5A-CLASS-0.2S	Y7-135433	5703498701736	Page 9

T-Line, current transformers

	Catalogue number	Type	Article number	EAN Number	Page
	741E0044	HF5-600/5A-CLASS-0.2S	Y7-135434	5703498701743	Page 9
	741E0046	HF5-750/5A-CLASS-0.2S	Y7-135435	5703498701750	Page 9
	741E0048	HF5-800/5A-CLASS-0.2S	Y7-135436	5703498701767	Page 9
	741E0050	HF5-1000/5A-CLASS-0.2S	Y7-135437	5703498701774	Page 9
	741E0052	HF5-1200/5A-CLASS-0.2S	Y7-135438	5703498701781	Page 9
	741E0054	HF5-1250/5A-CLASS-0.2S	Y7-135439	5703498701798	Page 9
	741E0056	HF5-1500/5A-CLASS-0.2S	Y7-135440	5703498701804	Page 9
	741E0058	HF5-1600/5A-CLASS-0.2S	Y7-135441	5703498702726	Page 9
	741E0060	HF5-300/5A-CLASS-0.2S	Y7-135442	5703498702689	Page 9
741F00__	741F0022	HF6-1250/5A	Y7-135443	5703498702740	Page 8
	741F0023	HF6-1000/5A	Y7-135444	5703498701811	Page 8
	741F0024	HF6-1200/5A	Y7-135445	5703498702733	Page 8
	741F0025	HF6-1500/5A	Y7-135446	5703498701828	Page 8
	741F0026	HF6-1600/5A	Y7-135447	5703498701835	Page 8
	741F0027	HF6-2000/5A	Y7-135448	5703498701842	Page 8
	741F0028	HF6-2500/5A	Y7-135449	5703498701859	Page 8
	741F0029	HF6-3000/5A	Y7-135450	5703498701866	Page 8
	741F0033	HF6-1000/1A	Y7-135451	5703498701873	Page 8
	741F0035	HF6-1500/1A	Y7-135452	5703498701880	Page 8
	741F0037	HF6-2000/1A	Y7-135453	5703498701897	Page 8
	741F0038	HF6-2500/1A	Y7-135454	5703498701903	Page 8
	741F0039	HF6-3000/1A	Y7-135455	5703498701910	Page 8
	741F0050	HF6-1000/5A-CLASS-0.2S	Y7-135456	5703498701934	Page 9
	741F0052	HF6-1200/5A-CLASS-0.2S	Y7-135457	5703498701941	Page 9
	741F0054	HF6-1250/5A-CLASS-0.2S	Y7-135458	5703498701958	Page 9
	741F0056	HF6-1500/5A-CLASS-0.2S	Y7-135459	5703498701965	Page 9
	741F0058	HF6-1600/5A-CLASS-0.2S	Y7-135460	5703498701972	Page 9
	741F0060	HF6-2000/5A-CLASS-0.2S	Y7-135461	5703498701989	Page 9
	741F0062	HF6-2400/5A-CLASS-0.2S	Y7-135462	5703498701996	Page 9
	741F0064	HF6-2500/5A-CLASS-0.2S	Y7-135463	5703498702009	Page 9
	741F0066	HF6-3000/5A-CLASS-0.2S	Y7-135464	5703498702016	Page 9
	741F0220	Clamp for bar mounting HF6 and HF8A	Y7-135465	5703498702023	Page 12
741H00__	741H0011	HF7A-400/5A	Y7-135466	5703498702047	Page 8
	741H0012	HF7A-500/5A	Y7-135467	5703498702054	Page 8
	741H0013	HF7A-600/5A	Y7-135468	5703498702061	Page 8
	741H0014	HF7A-750/5A	Y7-135469	5703498702078	Page 8
	741H0015	HF7A-800/5A	Y7-135470	5703498702085	Page 8
	741H0016 5	HF7A-1000/5A	Y7-135471	5703498702092	Page 8
	741H0017	HF7A-1200/5A	Y7-135472	5703498702108	Page 8
	741H0018	HF7A-1250/5A	Y7-135473	5703498702115	Page 8
	741H0019	HF7A-1500/5A	Y7-135474	5703498702122	Page 8
	741H0020	HF7A-1600/5A	Y7-135475	5703498702139	Page 8
	741H0021	HF7A-2000/5A	Y7-135476	5703498702146	Page 8
	741H0023	HF7A-2500/5A	Y7-135477	5703498702153	Page 8
	741H0024	HF7A-400/1A	Y7-135478	5703498702160	Page 8
	741H0025	HF7A-500/1A	Y7-135479	5703498702177	Page 8
	741H0026	HF7A-600/1A	Y7-135480	5703498702184	Page 8
	741H0027	HF7A-750/1A	Y7-135481	5703498702191	Page 8
	741H0028	HF7A-800/1A	Y7-135482	5703498702207	Page 8
	741H0029	HF7A-1000/1A	Y7-135483	5703498702214	Page 8

	Catalogue number	Type	Article number	EAN Number	Page
	741H0030	HF7A-1200/1A	Y7-135484	5703498702221	Page 8
	741H0031	HF7A-1250/1A	Y7-135485	5703498702238	Page 8
	741H0032	HF7A-1500/1A	Y7-135486	5703498702245	Page 8
	741H0033	HF7A-1600/1A	Y7-135487	5703498702252	Page 8
	741H0034	HF7A-2000/1A	Y7-135488	5703498702269	Page 8
	741H0036	HF7A-2500/1A	Y7-135489	5703498702283	Page 8
	741H0050	HF7A-750/5A-CLASS-0.2S	Y7-135490	5703498702290	Page 9
	741H0052	HF7A-800/5A-CLASS-0.2S	Y7-135491	5703498702306	Page 9
	741H0054	HF7A-1000/5A-CLASS-0.2S	Y7-135492	5703498702313	Page 9
	741H0056	HF7A-1200/5A-CLASS-0.2S	Y7-135493	5703498702320	Page 9
	741H0058	HF7A-1250/5A-CLASS-0.2S	Y7-135494	5703498702337	Page 9
	741H0060	HF7A-1500/5A-CLASS-0.2S	Y7-135495	5703498702344	Page 9
	741H0062	HF7A-1600/5A-CLASS-0.2S	Y7-135496	5703498702351	Page 9
	741H0064	HF7A-2000/5A-CLASS-0.2S	Y7-135497	5703498702368	Page 9
	741H0066	HF7A-2400/5A-CLASS-0.2S	Y7-135498	5703498702375	Page 9
	741H0068	HF7A-2500/5A-CLASS-0.2S	Y7-135499	5703498702382	Page 9
	741H0230	Fittings for mounting on base plate HF4B, HF5, HF6, HF7A and HF8A	Y7-135500	5703498702399	Page 12
	741H0240	Insert for HF7A	Y7-135501	5703498702412	Page 12
741K00__	741K0011	HF8A-1500/5A	Y7-135502	5703498702429	Page 8
	741K0013	HF8A-2000/5A	Y7-135503	5703498702436	Page 8
	741K0014	HF8A-2500/5A	Y7-135504	5703498702443	Page 8
	741K0016	HF8A-3000/5A	Y7-135505	5703498702450	Page 8
	741K0017	HF8A-4000/5A	Y7-135506	5703498702467	Page 8
	741K0018	HF8A-5000/5A	Y7-135507	5703498702474	Page 8
	741K0019	HF8A-1500/1A	Y7-135508	5703498702481	Page 8
	741K0021	HF8A-2000/1A	Y7-135509	5703498702498	Page 8
	741K0022	HF8A-2500/1A	Y7-135510	5703498702504	Page 8
	741K0024	HF8A-3000/1A	Y7-135511	5703498702511	Page 8
	741K0025	HF8A-4000/1A	Y7-135512	5703498702528	Page 8
	741K0031	HF8A-1500/5A-CLASS-0.2S	Y7-135513	5703498702535	Page 9
	741K0033	HF8A-2000/5A-CLASS-0.2S	Y7-135514	5703498702542	Page 9
	741K0034	HF8A-2500/5A-CLASS-0.2S	Y7-135515	5703498702559	Page 9
	741K0036	HF8A-3000/5A-CLASS-0.2S	Y7-135516	5703498702566	Page 9
	741K0037	HF8A-4000/5A-CLASS-0.2S	Y7-135517	5703498702573	Page 9
	741K0038	HF8A-5000/5A-CLASS-0.2S	Y7-135518	5703498702580	Page 9

Eaton's electrical business is a global leader with deep regional application expertise in power distribution and circuit protection; power quality, backup power and energy storage; control and automation; life safety and security; structural solutions; and harsh and hazardous environment solutions. Through end-to-end services, channel and an integrated digital platform & insights Eaton is powering what matters across industries and around the world, helping customers solve their most critical electrical power management challenges.

For more information, visit [Eaton.com](https://www.eaton.com).



Eaton Industries (Austria) GmbH

Scheydgasse 42
1210 Vienna
Austria

Eaton
EMEA Headquarters
Route de la Longeraie 7
1110 Morges, Switzerland

© 2021 Eaton
All Rights Reserved
Printed in Austria
Publication No. BR019014
Article number 195830-MK
January 2021
Graphics: SRA, Schrems

Changes to the products, to the information contained in this document, and to prices are reserved; as are errors and omissions. Only order confirmations and technical documentation by Eaton is binding. Photos and pictures also do not warrant a specific layout or functionality. Their use in whatever form is subject to prior approval by Eaton. The same applies to trademarks (especially Eaton, Moeller, and Cutler-Hammer). The Terms and Conditions of Eaton apply, as referenced on Eaton Internet pages and Eaton order confirmations.

Eaton is a registered trademark.

All other trademarks are property of their respective owners.

Follow us on social media to get the latest product and support information.

