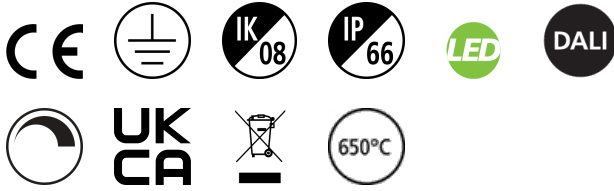


# SYLVEO LED 20000LM ROAD ASYMMETRIC 4K DALI

Item No: 0049147

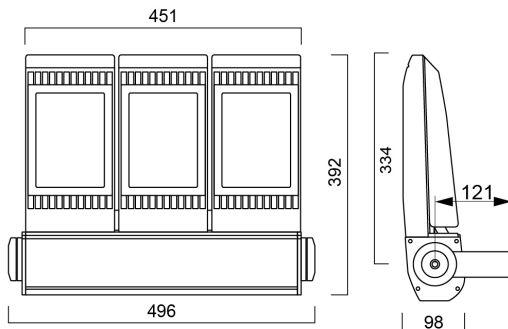
**SYLVANIA**



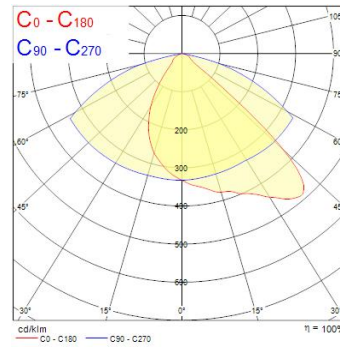
Exterior LED floodlight, comes complete with a 1000mm cable and adjustable bracket, aluminium housing, clear glass diffuser, 21542lm, 201W, 107lm/W, 4000K, 5002mA, CRI70, 52°x117° beam angle, DALI dimmable, IP66, IK08, Class I, 50000hrs, (LxWxD) 98x496x392mm

## Technical Assets

### Dimensions (mm)



### Photometrics



# SYLVEO LED 20000LM ROAD ASYMMETRIC 4K DALI

Item No: 0049147

**SYLVANIA**

## General data

Product name	SYLVEO LED 20000LM ROAD ASYMMETRIC 4K DALI
Technology	LED
Housing	Aluminium
Mount	Wall surface mounted
Fixture rating	Enclosed
General application	Logistics & Industry
Operating temperature range (°C)	-40°C...+45°C
Performance ambient temperature Tq (°C)	25
ETIM Class	EC001744
E-number FI	4579405
E-number SE	7764813
Warranty	5 years

## Optical data

Useful luminous flux (Φuse)	21542
Fixture luminous flux (lm)	21542
Luminaire efficacy (lm/W)	107
LOR (%)	100
Correlated colour temperature (k)	4000
Light colour	Neutral White
CRI (Ra)	70
Colour Variation Initial (SDCM)	SDCM6
Beam Angle (°)	52 x 117
Glare control	< 18
Photobiological Risk Group	RG1

## Electrical data

Total power consumption (W)	202
Current (A)	1.5
Primary Supply/Product voltage - min (V)	100
Primary Supply/Product voltage - max (V)	240
Lamp power factor	0.95
THD (at 230 V, 50 Hz, full load, at 100% dimming level) ≤ xx.x %	20
Electrical protection	Class I
Control gear required	No
Control gear type	Electronic ballast
Dimmable	Yes
Dimming method	DALI
Minimum dimming level (%)	1
Drive current (mA)	5002
Inrush Current (A)	60
Inrush Duration (µs)	510
Nominal Frequency (Hz)	50/60Hz
LED Flickering Rate	Ultra low (5% or less)
Max. products per 10A C Breaker	3
Max. products per 13A C Breaker	5
Max. products per 16A C Breaker	6
Max. products per 20A C Breaker	7
Max. products per 10A B Breaker	2
Max. products per 13A B Breaker	3
Max. products per 16A B Breaker	4
Max. products per 20A B Breaker	4
Mains surge immunity (differential mode -> L-N) (kV)	4
Mains surge immunity (common mode -> L/N - GND) (kV)	6

## Lifetime data

Lifespan L70 B50	50000
Lifespan L80 B50	49000

# SYLVEO LED 20000LM ROAD ASYMMETRIC 4K DALI

Item No: 0049147

**SYLVANIA**

## Physical data

Housing colour	RAL 9006 - Aluminium
IP rating	IP66
IK rating	IK08
Diffuser finish	Transparent
Diffuser material	Glass
Nominal Product Length (mm)	496
Nominal Product Width (mm)	98
Nominal Product Height (mm)	392
Weight (kg)	11.516
Wind Area (m <sup>2</sup> )	0.177

## Packaging

Product EAN number	5410288491479
Packaging single length / height (cm)	53.7
Packaging single width (cm)	54.4
Packaging single depth (cm)	16.8
DUN14 (inner)	05410288491479
Units per outer package	1
Packaging outer length / height (cm)	53.7
Packaging outer width (cm)	54.4
Packaging outer depth (cm)	16.8

## Safety data

Glow Wire Test (°C)	650
Optimal operating condition (°C)	-40-45