



### Features

- GU10 Housing with REFLED ES50 36° lamp included, Ideal for indoor application, Loop in - loop out box included

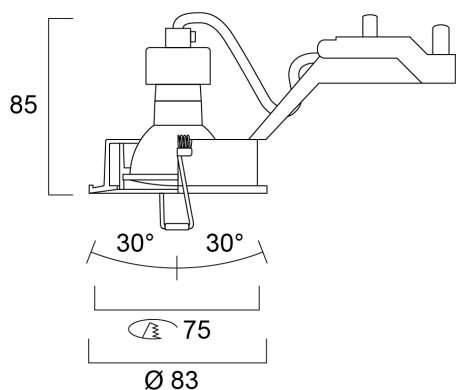
### Product Overview

Product name	INSET TREND KIT SW REFLED ES50 36° BN WW DIM
Technology	LED
Cap/Base	GU10
Housing	Aluminium
Mount	Ceiling recessed mounting
Light source included	0029126
Environment	Indoor
E-number FI	4271313
E-number SE	7467393
Fixture luminous flux (lm)	345
Luminaire efficacy (lm/W)	76
LOR (%)	100
Colour temperature (K)	3000
Light colour	Warm White
CRI (Ra)	80
Colour Variation Initial (SDCM)	6
Photobiological Risk Group	RG1
Total power consumption (W)	4.5
Electrical protection	Class II

## INSET TREND KIT SW REFLED ES50 36° BN WW DIM 3001762

Control gear type	LED driver constant current
Housing colour	White
IP rating	IP23/20
IK rating	IK02
Product EAN number	8711971017622
Warranty	3 years

### Technical drawings



### Data table

#### GENERAL DATA

Product name	INSET TREND KIT SW REFLED ES50 36° BN WW DIM
Technology	LED
Cap/Base	GU10
Housing	Aluminium
Mount	Ceiling recessed mounting
Environment	Indoor
E-number FI	4271313
E-number SE	7467393
Warranty	3 years

## INSET TREND KIT SW REFLED ES50 36° BN WW DIM 3001762

### OPTICAL DATA

Fixture luminous flux (lm)	345
Luminaire efficacy (lm/W)	76
LOR (%)	100
Colour temperature (K)	3000
Light colour	Warm White
CRI (Ra)	80
Colour Variation Initial (SDCM)	6
Adjustable chromaticity	N
Photobiological Risk Group	RG1

### ELECTRICAL DATA

Light source included	0029126
Total power consumption (W)	4.5
Primary Supply/Product voltage - min (V)	220
Electrical protection	Class II
Control gear required	No
Control gear type	LED driver constant current
Glow Wire Test (°C)	650
Energy Efficiency Class (A->G) of contained light source	F
Connectable conductor cross section - Min (mm <sup>2</sup> )	0.75
Connectable conductor cross section - Max (mm <sup>2</sup> )	2.0

### PHYSICAL DATA

Housing colour	White
IP rating	IP23/20
IK rating	IK02
Diffuser finish	Other
Diffuser material	None
Nominal Product Diameter (mm)	83

## INSET TREND KIT SW REFLED ES50 36° BN WW DIM 3001762

Weight (kg)	0.179
-------------	-------

Recessed Depth (mm)	100
---------------------	-----

### PACKAGING

Single packaging type	Carton
-----------------------	--------

Product EAN number	8711971017622
--------------------	---------------

Packaging single width (cm)	9.9
-----------------------------	-----

Packaging single depth (cm)	8.4
-----------------------------	-----

DUN14 (outer)	18711971017629
---------------	----------------

Packaging outer length / height (cm)	28.5
--------------------------------------	------

### SAFETY DATA

Special purpose lamp	No
----------------------	----

Dry applications use only	No
---------------------------	----

Suitable for household illumination	No
-------------------------------------	----