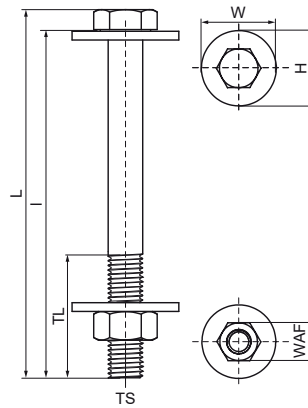


Walraven Maxx Bolt Set (ZFC)

(H20528)

for fixing to Maxx Heavy Rail Profiles



Features & benefits

- for fixing in profile perforation
- when tightening directly onto Maxx profiles, it is strongly advised to use Maxx U-shape brackets
- hexagon head bolt set with 2 washers and hexagon nut for Maxx profile connections
- the bolt size is ideally suited to fit the perforation of Maxx Heavy Rail Profile
- max. torque is 80Nm
- material: steel, strength class 8.8
- surface treatment: zinc flake coated
- consists of: 1 Bolt DIN931, 1 hexagon nut DIN934, 2 washers 37x3mm (M12) or 50x3mm (M16)

Product Number	For Rail Type	Model	Total Height	Total Width	Total Length	Thread Length	Thread Size	Length	Width Across Flats
<i>Reference Letter</i>			<i>H</i>	<i>W</i>	<i>L</i>	<i>TL</i>	<i>TS</i>	<i>I</i>	<i>WAF</i>
<i>Unit description</i>			<i>mm</i>	<i>mm</i>	<i>mm</i>	<i>mm</i>		<i>mm</i>	<i>mm</i>
614581213	100x100	Maxx 100 Bolt Set	37	37	147.5	36	M12	140	19
614581216	100x120	Maxx 120 Bolt Set	37	37	167.5	36	M12	160	19
614581614	100x100	Maxx 100 Bolt Set	50	50	150	44	M16	140	24
614581212	80x80	Maxx 80 Bolt Set	37	37	127.5	30	M12	120	19
614581612	80x80	Maxx 80 Bolt Set	50	50	130	38	M16	120	24