



Features

- Compact, energy efficient and exceptional value for money product.
- Same shape and size as halogen GU10 lamp
- Compact Cluster SMD technology enabling high efficiency with halogen look
- Reduced visible heat sink from the front
- Available in 36 degree
- High lumen efficacy
- 15,000 hours average rated life
- 3 years warranty

Product Overview

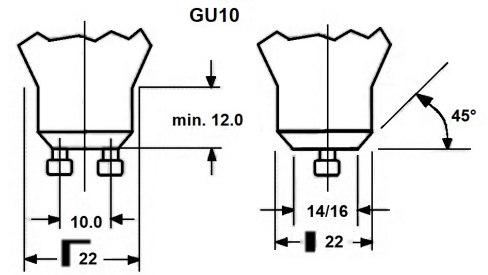
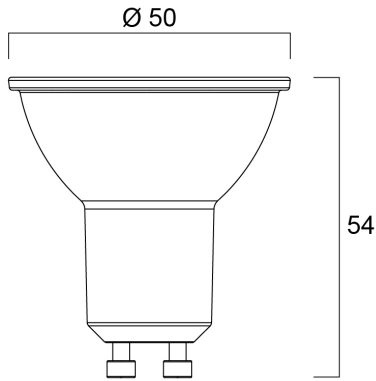
| | |
|-----------------------------------|---|
| Product name | RefLED ES50 V5 345lm 830 36° SL |
| Technology | LED |
| Watt (Rated) (W) | 4.2 |
| Cap/Base | GU10 |
| Fixture rating | Open |
| General application | Office, Hospitality, Retail, Education, Residential & Consumer, Museums & Galleries |
| ETIM Class | EC001959 |
| E-number FI | 4740462 |
| E-number SE | 8292495 |
| Correlated colour temperature (k) | 3000 |
| Light colour | Warm White |
| CRI (Ra) | 80 |
| Colour Consistency (SDCM) | 6 |
| Colour Variation Initial (SDCM) | 6 |
| Beam Angle (°) | 36 |
| Wattage (W) | 4.2 |
| Power consumption (W) | 4.2 |
| Average life (Nominal) (h) | 15000 |
| Product EAN number | 5410288274331 |
| Warranty | 3 years |

RefLED ES50 V5 345lm 830 36° SL 0027433

Useful luminous flux (#use)

345

Technical drawings



Data table

GENERAL DATA

| | |
|---|---|
| Product name | RefLED ES50 V5 345lm 830 36° SL |
| Technology | LED |
| Watt (Rated) (W) | 4.2 |
| Cap/Base | GU10 |
| Fixture rating | Open |
| General application | Office, Hospitality, Retail, Education, Residential & Consumer, Museums & Galleries |
| Performance ambient temperature Tq (°C) | 25 |
| ETIM Class | EC001959 |
| E-number FI | 4740462 |
| E-number SE | 8292495 |
| Warranty | 3 years |

OPTICAL DATA

| | |
|--|------------|
| Useful luminous flux (#use) | 345 |
| Correlated colour temperature (k) | 3000 |
| Light colour | Warm White |
| CRI (Ra) | 80 |
| Colour Variation Initial (SDCM) | 6 |
| Colour Consistency (SDCM) | 6 |
| Luminous Intensity (cd) | 770 |
| Beam Angle (°) | 36 |
| Lumen maintenance at end of nominal life (%) | 70 |

ELECTRICAL DATA

| | |
|---|---------|
| Power consumption (W) | 4.2 |
| Wattage (W) | 4.2 |
| Starting time (max) (s) | #0.5 |
| Warm-up time to 60% of full light (max) (s) | #1.0 |
| Primary Supply/Product voltage - min (V) | 220 |
| Primary Supply/Product voltage - max (V) | 240 |
| Lamp power factor | 0.5 |
| Control gear required | No |
| No. Of switching cycles before premature failures | >50000 |
| Inrush Current (A) | 3.9 |
| Nominal Frequency (Hz) | 50/60Hz |
| Max. products per 10A C Breaker | 14 |
| Max. products per 16A C Breaker | 23 |
| Max. products per 20A C Breaker | 28 |

LIFETIME DATA

| | |
|----------------------------|-------|
| Average life (Nominal) (h) | 15000 |
| Average life (Rated) (h) | 15000 |

PHYSICAL DATA

| | |
|-------------------------------|-------|
| Nominal Product Length (mm) | 54 |
| Nominal Product Diameter (mm) | 50 |
| Weight (kg) | 0.022 |

PACKAGING

| | |
|---------------------------------------|----------------|
| Product EAN number | 5410288274331 |
| Packaging single length / height (cm) | 6.1 |
| Packaging single width (cm) | 5.2 |
| Packaging single depth (cm) | 5.2 |
| DUN14 (inner) | 15410288274338 |
| Units per inner package | 6 |
| Packaging inner length / height (cm) | 16.7 |
| Packaging inner width (cm) | 11.6 |
| Packaging inner depth (cm) | 7.5 |
| Units per outer package | 60 |
| Packaging outer length / height (cm) | 59.8 |
| Packaging outer width (cm) | 18.7 |
| Packaging outer depth (cm) | 17.1 |

SAFETY DATA

| | |
|-------------------------------------|--|
| Breakage cleaning instructions | Not applicable |
| Special purpose lamp | No |
| Dry applications use only | Yes |
| Suitable for household illumination | Yes |
| Safety message | Not Suitable for totally enclosed fixtures |