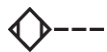
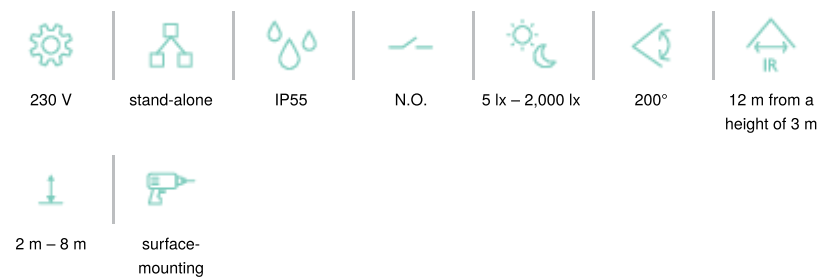


Motion detector, 230 V, 12 m, 200°, IP55, for wall and ceiling mounting, for surface mounting, alu

351-26480



This 1-channel outdoor motion detector with a detection range of 12 meter is suitable for use along driveways, under carports or in the garden. The motion detector can be mounted onto the ceiling or the wall and can be aimed upwards or downwards. The device has a built-in light sensor and switches the lighting automatically. After the pre-set time delay, the light is switched off automatically.

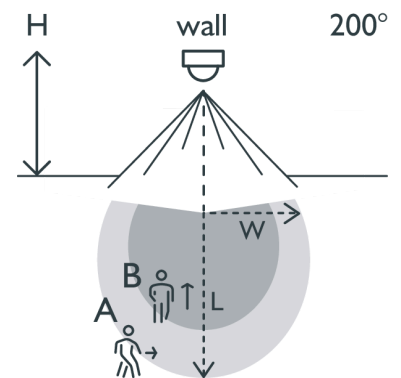
Colour: alu

Compatible secondary detectors:

Compatible master detectors:

- Outdoor detector for wall and ceiling mounting (surface mounting/flush mounting)
- Protection class IP55, agile detector for all ranges with little interference.
- With 360° elimination of creeping zones.

Detection range

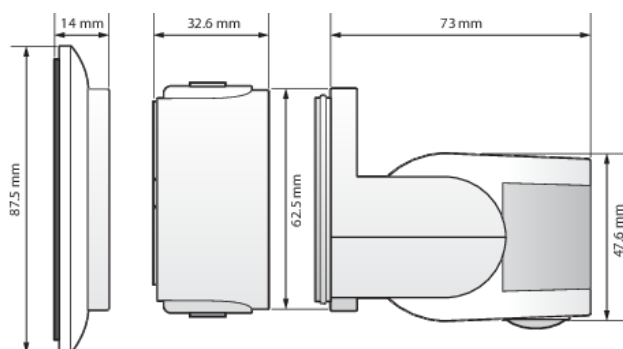


H ↓	A Across		B Towards	
	W	L	W	L
2 m	5 m	10 m	2.5 m	5 m
3 m	6 m	12 m	3 m	6 m
4 m	7 m	14 m	3.5 m	7 m
5 m	7 m	14 m	3.5 m	7 m
6 m	7 m	14 m	3.5 m	7 m
7 m	7 m	14 m	3.5 m	7 m
8 m	7 m	14 m	3.5 m	7 m

Technical features

Configuration	stand-alone
Input voltage	230 Vac
Detector output	230 V (ON/OFF)
Maximum current consumption	3.04 mA
Switch-off delay	pulse, 10 sec – 1,200 sec
Maximum power consumption	0.7 W
Maximum MCB rating	-10
Detection angle	200 °
Detection range (PIR)	12 m from a height of 3 m
Minimum ambient temperature	-20 °C
Maximum ambient temperature	+55 °C
Mounting method	surface mounting
Mounting height	2 m – 8 m
Colour	alu
Dimensions visible (HxWxD)	63 mm x 63 mm
Dimensions (HxWxD)	63 mm x 63 mm x 94 mm
Protection degree standalone	IP55
Impact resistance	IK02
Modification of settings	Potentiometers or IR remote control

Dimensions



Wiring diagram

