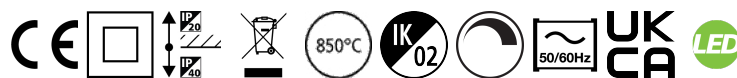


Concord

Solstice 200 2400lm 940 SSC WW
2070397



Features

- The Solstice 200 2400lm 940 SSC WW is a high efficient SSC WW dimmable downlight luminaire, Colour rendering index Ra>90, Colour temperature: 4000K Neutral White, Class II, Protection rating IP40/IP20, Cut out dimensions: 200mm.



Product Overview

Product name	Solstice 200 2400lm 940 SSC WW
Technology	LED
Cap/Base	N/A
Housing	Aluminium
Mount	Ceiling recessed mounting
E-number FI	4275572
Fixture luminous flux (lm)	2400
Luminaire efficacy (lm/W)	141
LOR (%)	100
Colour temperature (K)	4000
Light colour	Warm White
CRI (Ra)	90
Colour Consistency (SDCM)	3
Colour Variation Initial (SDCM)	3
Glare control	< 24
Photobiological Risk Group	RG1
Total power consumption (W)	17
Electrical protection	Class II
Control gear type	LED driver constant current
LED Flickering Rate	Ultra low (5% or less)
Housing colour	RAL 9016 - Traffic white / Bezel

Concord

Solstice 200 2400lm 940 SSC WW
2070397

IP rating

IP40/20

IK rating

IK02

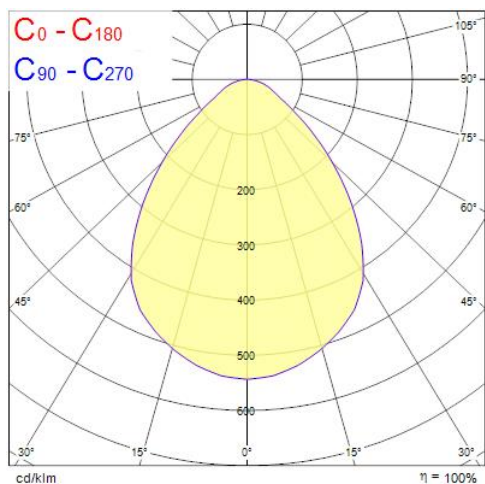
Product EAN number

5025768703975

Warranty

5 years

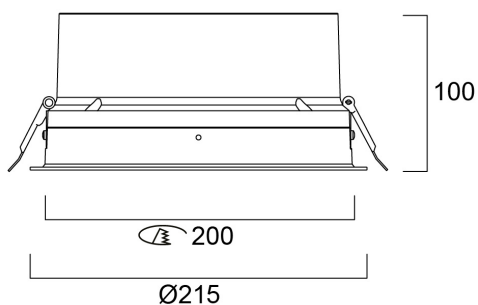
Photometry



0.5	0.89	E(0°) E(C0)	41.6°	5219 1094
1.0	1.78	E(0°) E(C0)	41.6°	1305 274
1.5	2.66	E(0°) E(C0)	41.6°	580 122
2.0	3.55	E(0°) E(C0)	41.6°	325 65
2.5	4.44	E(0°) E(C0)	41.6°	209 44
3.0	5.33	E(0°) E(C0)	41.6°	145 30

Distance [m] Cone diameter [m] Illuminance [lx]
C0 - C180 (Half beam angle: 83.2°)

Technical drawings



Concord

Solstice 200 2400lm 940 SSC WW
2070397

Data table

GENERAL DATA

Product name	Solstice 200 2400lm 940 SSC WW
Technology	LED
Cap/Base	N/A
Housing	Aluminium
Mount	Ceiling recessed mounting
Operating temperature range (°C)	-10°C...+40°C
Performance ambient temperature Tq (°C)	40
E-number FI	4275572
Warranty	5 years

OPTICAL DATA

Fixture luminous flux (lm)	2400
Luminaire efficacy (lm/W)	141
LOR (%)	100
Colour temperature (K)	4000
Light colour	Warm White
CRI (Ra)	90
Colour Consistency (SDCM)	3
Colour Variation Initial (SDCM)	3
Glare control	< 24
Photobiological Risk Group	RG1

ELECTRICAL DATA

Total power consumption (W)	17
Primary Supply/Product voltage - min (V)	220
Lamp power factor	0.96
Electrical protection	Class II
Control gear required	No
Control gear type	LED driver constant current

Concord

Solstice 200 2400lm 940 SSC WW
2070397

Drive current (mA)	450
Inrush Current (A)	25
Inrush Duration (µs)	141
Glow Wire Test (°C)	850
Energy Efficiency Class (A->G) of contained light source	C
Nominal Frequency (Hz)	50/60Hz
LED Flickering Rate	Ultra low (5% or less)
Max. products per 10A C Breaker	31
Max. products per 20A B Breaker	40
Connectable conductor cross section - Min (mm ²)	0.5
Connectable conductor cross section - Max (mm ²)	2.5

LIFETIME DATA

Lifespan L70 B50	120000
Lifespan L80 B20	120000
Lifespan L80 B10	120000
Lifespan L90 B10	68000

PHYSICAL DATA

Housing colour	RAL 9016 - Traffic white / Bezel
IP rating	IP40/20
IK rating	IK02
Diffuser finish	Diffuse
Diffuser material	PC Polycarbonate
Nominal Product Diameter (mm)	215
Max. Lamp Diameter (mm) - D	215
Weight (kg)	1.3
Recessed Depth (mm)	150

PACKAGING

Single packaging type	Carton
-----------------------	--------

Concord

Solstice 200 2400lm 940 SSC WW
2070397

Product EAN number	5025768703975
Packaging single width (cm)	30.0
Packaging single depth (cm)	12.5
DUN14 (outer)	05025768703975
Packaging outer length / height (cm)	30.0

SAFETY DATA

Optimal operating condition (°C)	-10-40
Special purpose lamp	No
Dry applications use only	No
Suitable for household illumination	No