

# Presence detector, DALI, secondary, 12 m, flat, for flush mounting, white

350-41659

4 year warranty

This presence detector (DALI daylight control, secondary) is suitable for flush-mounting in ceilings with a height of 2.4 – 3 m and can only be used in combination with a master to increase its detection range. The detector has a very flat design of only 5 mm, so that it can be mounted almost flush with the ceiling. The device follows the settings of the master. The sensitivity of the secondary detector, though, can be set separately. A maximum of ten secondary detectors can be connected per master.

Finishing colour: white

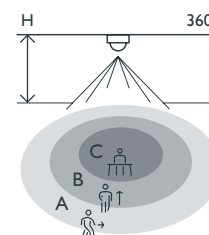
Compatible master detectors: 350-41650, 350-41657, 350-41680

- All-in-one solution
- Fast, flexible installation thanks to the addressable DALI bus
- Easy to mount thanks to its spring clamps
- It can be integrated practically level on the ceiling thanks to its ultra-flat design of barely 5 mm.

For use in offices, school establishments, meeting rooms, etc., in rooms of all dimensions



## Detection range



H	A Across	B Towards	C Presence
2.5 m	∅ 8 m	∅ 4 m	∅ 3 m
3 m	∅ 12 m	∅ 6 m	∅ 4 m



DALI



secondary



360°



∅ 12 m from a height of 3 m



2.5 – 3 m



flush-mounting

**niko**

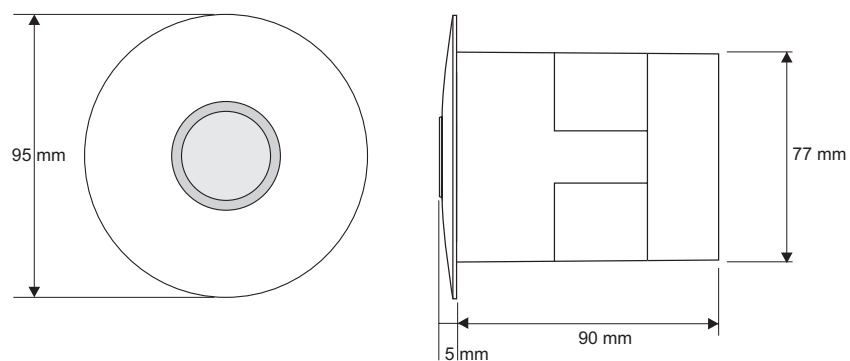
## Technical data

Article number	350-41659
Compatible master detectors	350-41650, 350-41657, 350-41680
Input voltage	via the DALI bus
Detection angle	360 °
Detection range (PIR)	ø 12 m from a height of 3 m
Ambient temperature	-5 – +40 °C
Mounting method	flush-mounting
Mounting height	2.5 – 3 m
Drill diameter	77 mm
Dimensions visible (HxWxD)	95 x 95 x 5 mm
Dimensions (HxWxD)	95 x 95 x 95 mm
Protection degree	IP20
Marking	CE

## Accessories

350-41936	Universal remote control for smartphone
350-41934	IR-remote control for installers

## Dimensions



## Wiring diagram

