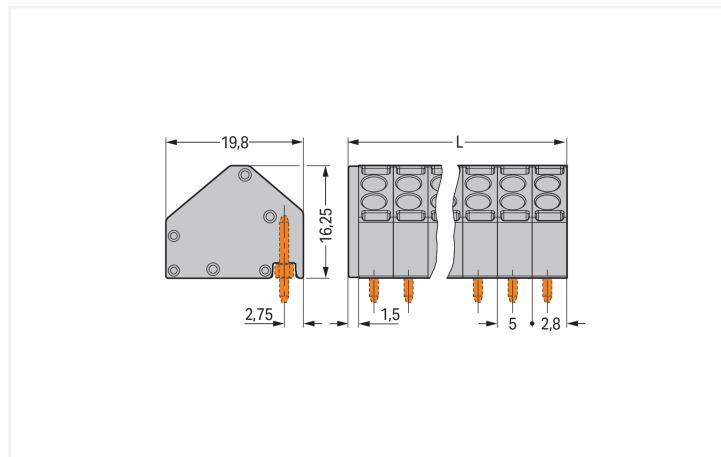


Data Sheet | Item Number: 806-105

2-conductor female connector; 1.5 mm²; Pin spacing 5 mm; 5-pole; gray

<https://www.wago.com/806-105>



Color: ■ gray

Similar to illustration

Dimensions in mm

L = (pole no. x pin spacing) + 1.5 mm

Pluggable pcb terminal block, 806 Series, 45 °conductor entry to board

Seamless electrical installations are guaranteed with pluggable pcb terminal block (item number 806-105). Strip lengths must be between 9 and 10 mm when connecting conductors to pluggable pcb terminal block. Featuring one conductor terminal along with Push-in CAGE CLAMP®, this connector delivers reliable performance. Push-in CAGE CLAMP® connection technology is ideal for connecting all conductor types. It allows direct insertion of both solid and fine-stranded conductors with ferrules without needing to use any tools—all thanks to its pluggable design. Dimensions: (26.5 x 16.25 x 19.8) mm (width x height x depth). Depending on the type of conductor, pluggable pcb terminal block is suitable for conductor cross sections ranging from 0.2 mm² to 1.5 mm².

The contact surface is coated with tin.

Notes

Variants:

Other pole numbers
Other colors
Mixed-color PCB connector strips
Direct marking
Other versions (or variants) can be requested from WAGO Sales or configured at <https://configurator.wago.com/>.

Electrical data

| Ratings per | IEC/EN 60664-1 | | |
|---------------------------------|----------------|-------|-------|
| Overvoltage category | III | III | II |
| Pollution degree | 3 | 2 | 2 |
| Nominal voltage | 250 V | 320 V | 630 V |
| Rated impulse withstand voltage | 4 kV | 4 kV | 4 kV |
| Rated current | 10 A | 10 A | 10 A |

| Approvals per | UL 1059 | | |
|---------------|---------|---|-------|
| Use group | B | C | D |
| Rated voltage | 300 V | - | 300 V |
| Rated current | 10 A | - | 10 A |

| Approvals per | CSA | | |
|---------------|-------|---|---|
| | B | C | D |
| Use group | B | C | D |
| Rated voltage | 300 V | - | - |
| Rated current | 10 A | - | - |

Connection Data

| | | | |
|----------------------------|----|---|---|
| Clamping units | 10 | Connection 1 | |
| Total number of potentials | 5 | Connection technology | Push-in CAGE CLAMP® |
| Number of connection types | 1 | Actuation type | Operating tool |
| Number of levels | 1 | Solid conductor | 0.2 ... 1.5 mm ² / 24 ... 16 AWG |
| | | Fine-stranded conductor | 0.2 ... 1.5 mm ² / 24 ... 16 AWG |
| | | Fine-stranded conductor; with insulated ferrule | 0.25 ... 1 mm ² |
| | | Fine-stranded conductor; with uninsulated ferrule | 0.25 ... 1 mm ² |
| | | Strip length | 9 ... 10 mm / 0.35 ... 0.39 inches |
| | | Conductor connection direction to PCB | 45 ° |
| | | Pole number | 5 |

Physical data

| | |
|---------------------|------------------------|
| Pin spacing | 5 mm / 0.197 inches |
| Width | 26.5 mm / 1.043 inches |
| Height | 16.25 mm / 0.64 inches |
| Depth | 19.8 mm / 0.78 inches |
| Solder pin diameter | 1 mm |

Plug-in connection

| | |
|------------------------------------|-------------------------|
| Contact type (pluggable connector) | Female connector/socket |
| Connector (connection type) | for PCB |
| Mating direction to the PCB | 90 ° |

Material data

| | |
|------------------------------------|--|
| Note (material data) | Information on material specifications can be found here |
| Color | gray |
| Material group | I |
| Insulation material (main housing) | Polyamide (PA66) |
| Flammability class per UL94 | V0 |
| Clamping spring material | Chrome-nickel spring steel (CrNi) |
| Contact material | Copper alloy |
| Contact Plating | Tin |
| Fire load | 0.128 MJ |
| Weight | 6.4 g |

Environmental requirements

| | |
|-------------------------|-----------------|
| Limit temperature range | -60 ... +105 °C |
|-------------------------|-----------------|

Commercial data

| | |
|-----------------------|--------------------------------|
| Product Group | 4 (Printed Circuit Connectors) |
| PU (SPU) | 175 pcs |
| Packaging type | Box |
| Country of origin | PL |
| GTIN | 4045454076931 |
| Customs tariff number | 85366990990 |

Product Classification

| | |
|-------------|----------------------|
| UNSPSC | 39121409 |
| eCl@ss 10.0 | 27-44-04-01 |
| eCl@ss 9.0 | 27-44-04-01 |
| ETIM 9.0 | EC002643 |
| ETIM 10.0 | EC002643 |
| ECCN | NO US CLASSIFICATION |

Environmental Product Compliance

| | |
|------------------------|-------------------------|
| RoHS Compliance Status | Compliant, No Exemption |
|------------------------|-------------------------|

Approvals / Certificates

General approvals



| Approval | Standard | Certificate Name |
|---|--------------|------------------|
| CCA DEKRA Certification B.V. | EN 60947-7-4 | NTR NL-7808 |
| CCA DEKRA Certification B.V. | EN 60947-7-4 | 71-112254 |
| CSA DEKRA Certification B.V. | C22.2 | 1132097 |
| UR Underwriters Laboratories Inc. | UL 1059 | E45172 |

Downloads

Environmental Product Compliance

Compliance Search

Environmental Product
Compliance 806-105



Documentation

| Additional Information | | | |
|------------------------|------------|-------------------|--|
| Technical Section | 03.04.2019 | pdf 2027.26 KB | |

CAD/CAE-Data

| CAD data | |
|----------------------|--|
| 2D/3D Models 806-105 | |

| CAE data | |
|------------------------------|--|
| EPLAN Data Portal 806-105 | |
| ZUKEN Portal 806-105 | |

1 Compatible Products

1.1 System counterpart

1.1.1 Solder pin



Item No.: 806-905
THT pin strip; straight; Pin spacing 5 mm;
5-pole; black

1.2 Required Accessories

1.2.1 Male connector

1.2.1.1 Solder pin



Item No.: 806-905
THT pin strip; straight; Pin spacing 5 mm;
5-pole; black

1.3 Optional Accessories

1.3.1 Ferrule

1.3.1.1 Ferrule



Item No.: 216-141
Ferrule; Sleeve for 0.5 mm² / 20 AWG; insulated; electro-tin plated; electrolytic copper; gastight crimped; acc. to DIN 46228, Part 4/09.90; white



Item No.: 216-141
Ferrule; Sleeve for 0.5 mm² / 20 AWG; un-insulated; electro-tin plated; electrolytic copper; gastight crimped; acc. to DIN 46228, Part 1/08.92



Item No.: 216-242
Ferrule; Sleeve for 0.75 mm² / 18 AWG; insulated; electro-tin plated; electrolytic copper; gastight crimped; acc. to DIN 46228, Part 4/09.90; gray



Item No.: 216-262
Ferrule; Sleeve for 0.75 mm² / 18 AWG; un-insulated; electro-tin plated; electrolytic copper; gastight crimped; acc. to DIN 46228, Part 4/09.90; gray



Item No.: 216-142
Ferrule; Sleeve for 0.75 mm² / 18 AWG; un-insulated; electro-tin plated; electrolytic copper; gastight crimped; acc. to DIN 46228, Part 1/08.92



Item No.: 216-243
Ferrule; Sleeve for 1 mm² / AWG 18; insulated; electro-tin plated; electrolytic copper; gastight crimped; acc. to DIN 46228, Part 4/09.90; red



Item No.: 216-263
Ferrule; Sleeve for 1 mm² / AWG 18; un-insulated; electro-tin plated; electrolytic copper; gastight crimped; acc. to DIN 46228, Part 4/09.90; red



Item No.: 216-143
Ferrule; Sleeve for 1 mm² / AWG 18; un-insulated; electro-tin plated; electrolytic copper; gastight crimped; acc. to DIN 46228, Part 1/08.92

1.3.1.1 Ferrule



Item No.: 216-264

Ferrule; Sleeve for 1.5 mm² / AWG 16; insulated; electro-tin plated; electrolytic copper; gastight crimped; acc. to DIN 46228, Part 4/09.90; black

Item No.: 216-284

Ferrule; Sleeve for 1.5 mm² / AWG 16; insulated; electro-tin plated; electrolytic copper; gastight crimped; acc. to DIN 46228, Part 4/09.90; black

1.3.2 Marking

1.3.2.1 Marking strip



Item No.: 210-332/500-202

Marking strips; as a DIN A4 sheet; MARKED; 1-16 (160x); Height of marker strip: 3 mm; Strip length 182 mm; Horizontal marking; Self-adhesive; white

Item No.: 210-332/500-205

Marking strips; as a DIN A4 sheet; MARKED; 1-32 (80x); Height of marker strip: 3 mm; Strip length 182 mm; Horizontal marking; Self-adhesive; white

Item No.: 210-332/500-204

Marking strips; as a DIN A4 sheet; MARKED; 17-32 (160x); Height of marker strip: 3 mm; Strip length 182 mm; Horizontal marking; Self-adhesive; white

Item No.: 210-332/500-206

Marking strips; as a DIN A4 sheet; MARKED; 33-48 (160x); Height of marker strip: 3 mm; Strip length 182 mm; Horizontal marking; Self-adhesive; white

1.3.3 Tool

1.3.3.1 Operating tool



Item No.: 210-720

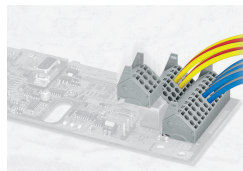
Operating tool; Blade: 3.5 x 0.5 mm; with a partially insulated shaft; multicoloured

Item No.: 210-657

Operating tool; Blade: 3.5 x 0.5 mm; with a partially insulated shaft; short; multicoloured

Installation Notes

Conductor termination



Inserting solid conductors via push-in termination.
Inserting/removing fine-stranded conductors: Open the clamping unit using a screwdriver and insert a stripped conductor until it hits the backstop.

Conductor termination directly on the PCB or wiring prior to mounting on PCB