



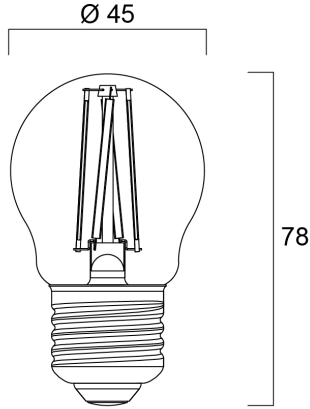
Features

- Perfect for decorative and general lighting applications and creates a warm ambience similar to traditional lamps
- The versatile ToLEDo Retro ball range is the ideal replacement for halogen and incandescent lamps and perfect for chandeliers and decorative applications
- Same look, size and functionality as incandescent lamps
- Omni-directional light distribution
- A++ energy rating
- Gives same sparkling light effect as the incandescent lamp
- Dimensionally identical to incandescent lamps - fits all fixtures
- Environment-friendly - no mercury and lower CO2 emissions

Product Overview

Product name	ToLEDo RT BALL V4 ST 470LM 827 E27 SL
Technology	LED
Watt (Rated) (W)	4.5
Cap/Base	E27
Fixture rating	Open
General application	Hospitality, Residential & Consumer
ETIM Class	EC001959
E-number FI	4740426
E-number SE	8295068
Correlated colour temperature (k)	2700
Light colour	Homelight
CRI (Ra)	80
Beam Angle (°)	300
Wattage (W)	4.5
Power consumption (W)	4.5
Average life (Nominal) (h)	15000
Product EAN number	5410288272597
Warranty	3 years
Useful luminous flux (#use)	470

Technical drawings



Data table

GENERAL DATA

Product name	ToLEDo RT BALL V4 ST 470LM 827 E27 SL
Technology	LED
Watt (Rated) (W)	4.5
Cap/Base	E27
Fixture rating	Open
General application	Hospitality, Residential & Consumer
Performance ambient temperature Tq (°C)	25
ETIM Class	EC001959
E-number FI	4740426
E-number SE	8295068
Warranty	3 years

OPTICAL DATA

Useful luminous flux (#use)	470
Luminous flux (Rated) (lm)	470

ToLEDo RT BALL V4 ST 470LM 827 E27 SL 0027259

Correlated colour temperature (k)	2700
Light colour	Homelight
CRI (Ra)	80
Beam Angle (°)	300
Lumen maintenance at end of nominal life (%)	70

ELECTRICAL DATA

Power consumption (W)	4.5
Wattage (W)	4.5
Starting time (max) (s)	0.5
Warm-up time to 60% of full light (max) (s)	1
Primary Supply/Product voltage - min (V)	230
Primary Supply/Product voltage - max (V)	240
Lamp power factor	0.5
Control gear required	No
No. Of switching cycles before premature failures	>50000
Inrush Current (A)	2.6
Nominal Frequency (Hz)	50/60Hz
Max. products per 10A C Breaker	38
Max. products per 16A C Breaker	62
Max. products per 20A C Breaker	77

LIFETIME DATA

Average life (Nominal) (h)	15000
Average life (Rated) (h)	15000

PHYSICAL DATA

Nominal Product Length (mm)	78
Nominal Product Diameter (mm)	45
Weight (kg)	0.02

PACKAGING

Product EAN number	5410288272597
Packaging single length / height (cm)	9.8
Packaging single width (cm)	4.8
Packaging single depth (cm)	4.8
DUN14 (inner)	15410288272594
Units per inner package	6
Packaging inner length / height (cm)	15.3
Packaging inner width (cm)	11.1
Packaging inner depth (cm)	10.6
DUN14 (outer)	25410288272591
Units per outer package	60
Packaging outer length / height (cm)	54.7
Packaging outer width (cm)	33.1
Packaging outer depth (cm)	14.0

SAFETY DATA

Breakage cleaning instructions	Not applicable
Special purpose lamp	No
Dry applications use only	Yes
Suitable for household illumination	Yes
Safety message	Not Suitable for totally enclosed fixtures