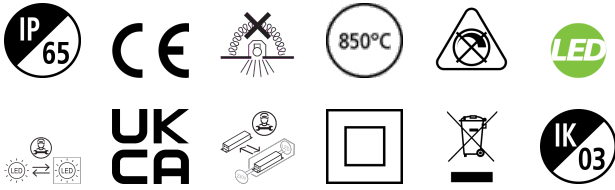


INSAVER UGR19 IP65 150 1200LM 840

Item No: 0030529

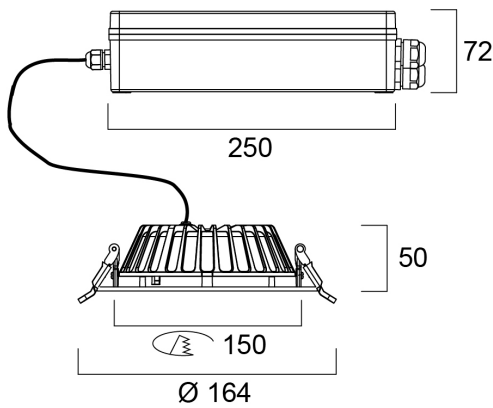
SYLVANIA

PRO



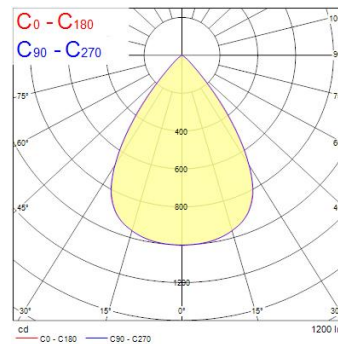
Technical Assets

Dimensions (mm)



Photometrics

Beam Angle (°)	Beam Diameter (mm)	Beam Area (cm²)	Beam Area (ft²)
6.5	67.5	3580	132
11.4	141	15800	565
15.1	212	45000	1620
21.4	344	118000	4280
27.3	515	265000	9500
31.9	725	525000	19000



INSAVER UGR19 IP65 150 1200LM 840

Item No: 0030529

SYLVANIA

General data

Product name	INSAVER UGR19 IP65 150 1200LM 840
Technology	LED
Cap/Base	N/A
Housing	Aluminium
Mount	Ceiling recessed mounting
General application	Hospitality, Office, Retail
Operating temperature range (°C)	-20°C...+40°C
ETIM Class	EC001744
E-number FI	4579607
Warranty	5 years

Optical data

Useful luminous flux (Φ_{use})	1200
Fixture luminous flux (lm)	1200
Luminaire efficacy (lm/W)	126
Correlated colour temperature (k)	4000
Light colour	Neutral White
CRI (Ra)	80
Colour Variation Initial (SDCM)	SDCM3
Beam Angle (°)	70
Distribution type	Symmetric
Glare control	< 19
Photobiological Risk Group	RG1

Electrical data

Total power consumption (W)	9.5
Primary Supply/Product voltage - min (V)	220.0
Lamp power factor	0.9
Electrical protection	Class II
Control gear type	LED driver constant current
Dimming method	N/A
Drive current (mA)	300
Inrush Current (A)	15
Inrush Duration (μ s)	104
Energy Efficiency Class (A->G) of contained light source	D
Nominal Frequency (Hz)	50/60Hz
LED Flickering Rate	Ultra low (5% or less)
Max. products per 10A C Breaker	66
Max. products per 16A C Breaker	96
Connectable conductor cross section - Min (mm ²)	0.75
Connectable conductor cross section - Max (mm ²)	1.5

Lifetime data

Lifespan L70 B50	100000
Lifespan L70 B20	100000
Lifespan L70 B10	100000
Lifespan L80 B50	100000
Lifespan L80 B20	88000
Lifespan L80 B10	80000
Lifespan L90 B50	50000
Lifespan L90 B20	43000
Lifespan L90 B10	39000

INSAVER UGR19 IP65 150 1200LM 840

Item No: 0030529

SYLVANIA

Physical data

Housing colour	RAL 9010 - Pure white
IP rating	IP65
IK rating	IK03
Diffuser finish	Other
Diffuser material	None
Reflector finish	Not Applicable
Nominal Product Height (mm)	50
Nominal Product Diameter (mm)	165
Built-in diameter (mm)	150
Weight (kg)	0.811

Packaging

Product EAN number	5410288305295
Packaging single width (cm)	26.5
Packaging single depth (cm)	11.0
DUN14 (inner)	15410288305292
Packaging outer length / height (cm)	55.0

Safety data

Glow Wire Test (°C)	850
Optimal operating condition (°C)	-20-40