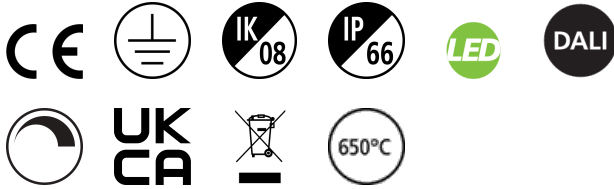


SYLVEO LED 8000LM ROAD ASYMMETRIC 4K DALI

Item No: 0049141

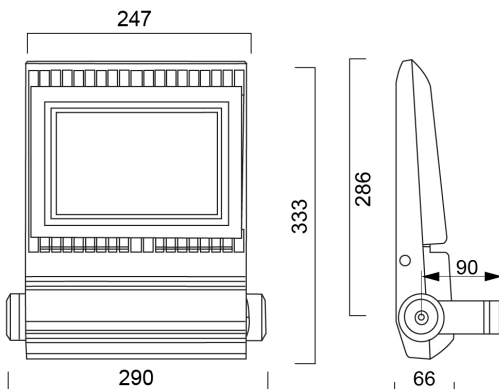
SYLVANIA



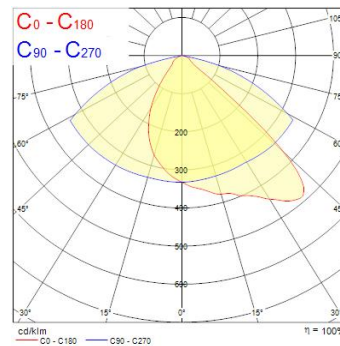
Exterior LED floodlight, comes complete with a 1000mm cable and adjustable bracket, aluminium housing, clear glass diffuser, 8542lm, 80W, 106lm/W, 4000K, 2280mA, CRI70, 52°x117° beam angle, DALI dimmable, IP66, IK08, Class I, 50000hrs, (LxWxD) 66x290x333mm

Technical Assets

Dimensions (mm)



Photometrics



SYLVEO LED 8000LM ROAD ASYMMETRIC 4K DALI

Item No: 0049141



General data

Product name	SYLVEO LED 8000LM ROAD ASYMMETRIC 4K DALI
Technology	LED
Housing	Aluminium
Mount	Wall surface mounted
Fixture rating	Enclosed
General application	Logistics & Industry
Operating temperature range (°C)	-40°C...+45°C
Performance ambient temperature Tq (°C)	25
ETIM Class	EC001744
E-number FI	4579199
E-number SE	7764819
Warranty	5 years

Optical data

Useful luminous flux (Φuse)	8542
Fixture luminous flux (lm)	8542
Luminaire efficacy (lm/W)	107
LOR (%)	100
Correlated colour temperature (k)	4000
Light colour	Neutral White
CRI (Ra)	70
Colour Variation Initial (SDCM)	SDCM6
Beam Angle (°)	52 x 117
Glare control	< 18
Photobiological Risk Group	RG1

Electrical data

Total power consumption (W)	80
Current (A)	0.6
Primary Supply/Product voltage - min (V)	100
Primary Supply/Product voltage - max (V)	305
Lamp power factor	0.95
THD (at 230 V, 50 Hz, full load, at 100% dimming level) ≤ xx.x %	20
Electrical protection	Class I
Control gear required	No
Control gear type	Electronic ballast
Dimmable	Yes
Dimming method	DALI
Minimum dimming level (%)	1
Drive current (mA)	2280
Inrush Current (A)	60
Inrush Duration (µs)	850
Nominal Frequency (Hz)	50/60Hz
LED Flickering Rate	Ultra low (5% or less)
Max. products per 10A C Breaker	4
Max. products per 13A C Breaker	5
Max. products per 16A C Breaker	6
Max. products per 20A C Breaker	10
Max. products per 10A B Breaker	2
Max. products per 13A B Breaker	3
Max. products per 16A B Breaker	3
Max. products per 20A B Breaker	4
Mains surge immunity (differential mode -> L-N) (kV)	4
Mains surge immunity (common mode -> L/N - GND) (kV)	6

Lifetime data

Lifespan L70 B50	50000
Lifespan L80 B50	49000

SYLVEO LED 8000LM ROAD ASYMMETRIC 4K DALI

Item No: 0049141

SYLVANIA

Physical data

Housing colour	RAL 9006 - Aluminium
IP rating	IP66
IK rating	IK08
Diffuser finish	Transparent
Diffuser material	Glass
Nominal Product Length (mm)	290
Nominal Product Width (mm)	66
Nominal Product Height (mm)	333
Weight (kg)	4.541
Wind Area (m ²)	0.082

Packaging

Product EAN number	5410288491417
Packaging single length / height (cm)	31.8
Packaging single width (cm)	13.2
Packaging single depth (cm)	41.75
DUN14 (inner)	15410288491414
Units per outer package	2
Packaging outer length / height (cm)	33.4
Packaging outer width (cm)	29.0
Packaging outer depth (cm)	44.3

Safety data

Glow Wire Test (°C)	650
Optimal operating condition (°C)	-40-45