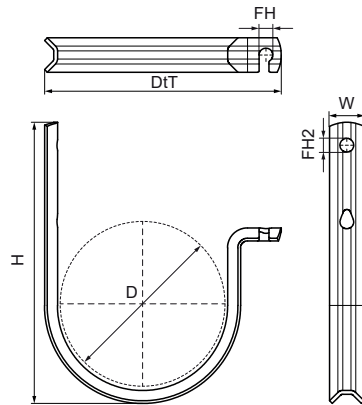


Walraven Foundation Clamp

(B5506)

for sewer pipes



Features & benefits

- quick and easy installation
- round profiling prevents damage to the pipes
- for use with Foundation Bracket, Clamp Slide and Lock
- material: steel
- surface protection:
- product is part of the Walraven BIS UltraProtect® 1000 system
- suitable for in- and outdoor applications
- stands min. 1,000 hours salt spray test (max. 5% red rust) according to ISO 9227

Product Number	Outside Pipe Diameter	Fixing Hole	Fixing Hole 2	Total Height	Total Width	Total Depth
Reference Letter	D	FH	FH 2	H	W	DtT
Unit description	mm	mm	mm	mm	mm	mm
4708005	110	9	9	183.5	22.5	175
4708006	125	9	9	198.5	22.5	190
4708024	75	9	9	148.5	22.5	140
4708030	50	9	9	129.5	25	125