

Motion detector, 230 V, 11 m, 200°, IP44, for surface mounting, white

351-03160



This 1-channel outdoor motion detector is suitable for use in a driveway or garden. The detection range is 11 metres. The detection area can be divided using an adjustable cover mask. The motion sensor can be precisely aimed. The device has a built-in light sensor and switches the lighting on automatically or manually with an N.G. push button (to be ordered separately). After the pre-set time delay, the light is switched off automatically.

Colour: white

Compatible secondary detectors:

Compatible master detectors:

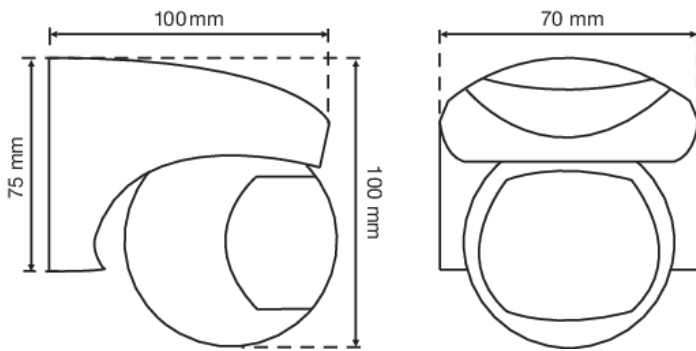


Technical data

Motion detector, 230 V, 11 m, 200°, IP44, for surface mounting, white.

- Detection technology: PIR
- Input voltage: 230 Vac
- Detector output: 230 V (ON/OFF)
- Maximum MCB rating: -10
- Number of channels: 1
- Detection range (PIR): \varnothing 11 m from a height of 3 m
- Usage environment: outdoor
- Type of contact: N.O.
- Dimensions (HxWxD): 70 mm x 100 mm x 100 mm
- Dimensions visible (HxWxD): 70 mm x 100 mm
- Modification of settings: Potentiometers
- Compatible master detectors:
- Compatible secondary detectors:
- Compatible controls:
- Protection degree standalone: IP44
- Impact resistance: IK02
- Protection class: Class II device: SELV (safety extra low voltage), independent device

Dimensions



Wiring diagram

